

Manual hose reel type STKi2

The manual hose reel type STKi2 with closed hub is suitable for all industrial and vehicle applications. While extending the drum hub and the cross braces the length of the hose could be enlarged. A removeable manual crank handle with a rotary polyamide roll is used to rewind the hose.

Available materials:

- Stainless steel AISI 304 (Application in wet areas).
- Stainless steel AISI 316 (Application in aggressive areas).

Reel bearing and brake:

Maintenance free, chemical resistant synthetic slide bearings, resistant to moisture and dirt. A mechanical brake integrated in the bearing permits a fine setting of the drum braking through to a complete stop.

Additional stop bolt:

On demand all variations can be equipped with an additional locking. The drum of each type can be stopped at 8 position per each rotation due to the spring-assisted stop bolt.



Pipe elbow:

A connecting pipe that is welded with the axle guarantees an easy hose mounting, without bending the hose extremely.

Angled swivel:

The standard angled swivel is basically equipped with a stainless steel axle.

The housing consists of a hard anodized aluminium die cast alloy (3/8" & 1/2") or chemical nickel-plated brass (3/4").

All types can be supplied in stainless steel AISI 304 upon request. The used seals are made of PTFE and EPDM.

For a surcharge they are also available in Viton for chemistry.

Mounting possibilities:

The hose reel can be mounted vertical, hanging or mounted on the wall. There is no need of special brackets.

We do not recommend wall swivel brackets because the reel could deflect while rewinding the hose.

Application areas:

Water, water with detergents, air, oil and grease. The maximum permitted operating temperature is regularly 100°C.

If required, the hose reels can be modified to a temperature of 180°C for an extra charge (see page 20).

Accessories:

We are at your disposal to assist you for further accessories or assembling the appropriate hose and pistol (see page 46+47).

For a surcharge there is a hose guide window and angular gearbox available.



Angled swivel WDTM12



Pipe elbow



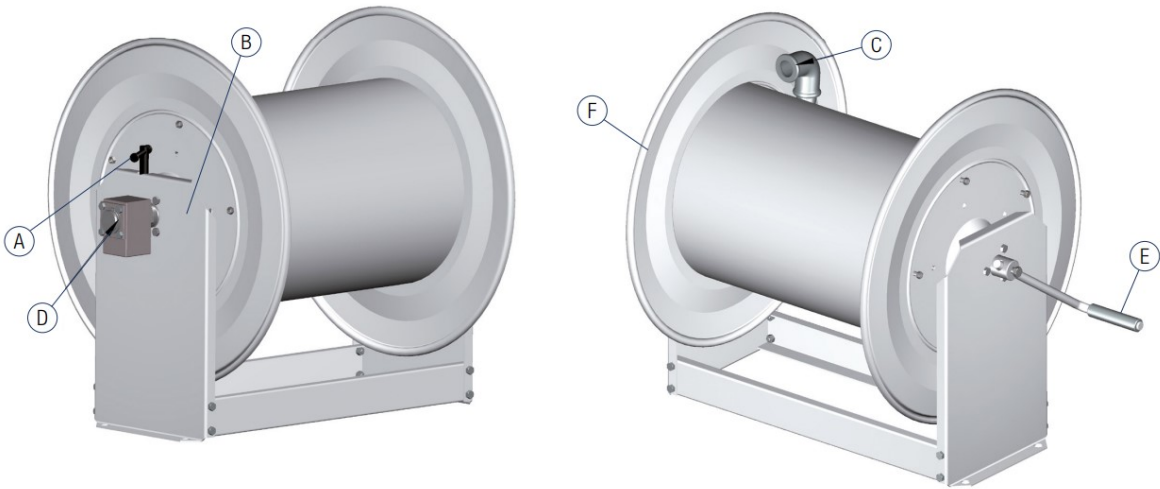
Hand crank with polyamide roll



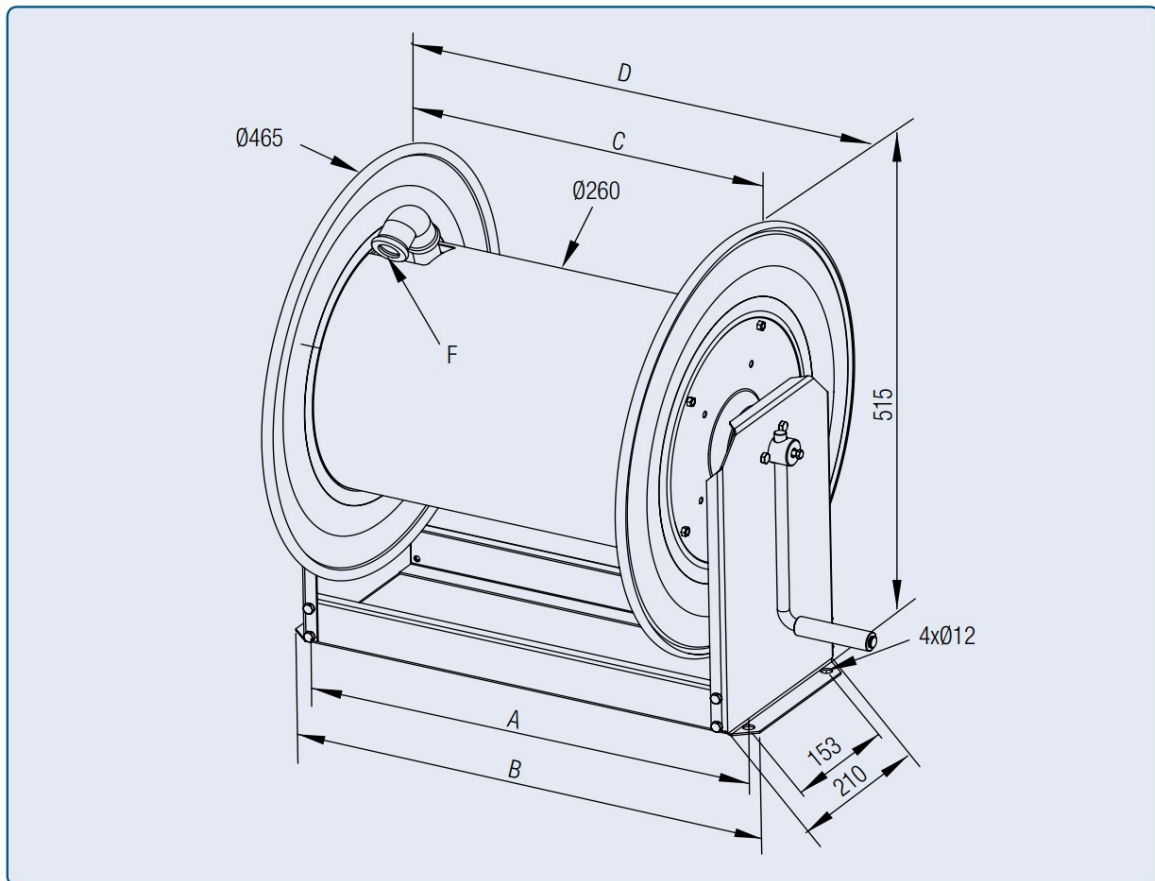
Brake handle black or blue available

Sectional view
Hose reel STKi2

Description					
A - Brake handle	B - Stop bolt (option)	C - Pipe elbow	D - Angled swivel	E - Crank handle	F - Drum



Dimensions
Hose reel STKi2



Type	Item number	Rewindable hose length in meter depending of the hose outside diameter-Ø [mm]				Nominal diameter/thread* F		Max. press.	Weight	Dimensions in mm				Surface	Material of the angled swivel*
		Ø17	Ø22	Ø28	Ø35	mm	Inch			A	B	C	D		
1/2" (DN12)															
STKi2 20/12-304	V10720010	60	35			12	1/2"	200	10,5	280	312	200	385	Stainless st. 304	Alu/304