

## HR-AV3500BK

The Kiowa spring rewind “Slow Retraction Safety Series” are constructed in 304-Grade Stainless Steel. The adjustable, slow retraction feature has taken spring rewind hose reels to the next level in hose management. This range of reels has become and industry standard with health & safety.

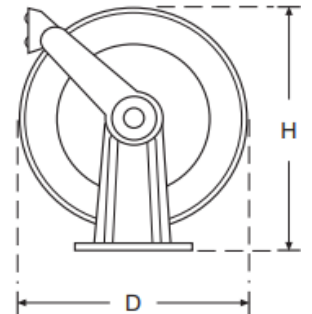
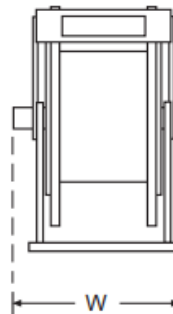
The superior twin pedestal design along with quality component parts provide long term, trouble free service. The adjustable full width roller guides prolong the hose assemblies working life, whilst the ribbed side / guide arms give ultimate rigidity during hose payout & retrieval.

Working pressures are standard up to 3,000 psi (200 Bar) with 400 & 600 Bar options available on request.



### Features:

Pressure:	200 Bar / 3,000 Psi (Max).
Applications:	Hot & Cold Water, Jet Wash & Air.
Swivel Joint:	304 Grade Stainless Steel.
Flow Path:	304 Grade Stainless Steel.
Seal Material:	EPDM.
Temperature:	90°C Constant. (140°C Intermittent).
Inlet:	½" BSPP Male.
Outlet:	½" BSPP Male.
Warranty:	12 Months.
Pivoting Bracket:	Optional (P/N: HR-ST30).
Hoses Assemblies:	Charged Extra Depending On Application.



### Capacities

Capacity ¼"	Capacity 3/8"	Capacity ½"	Dimensions (mm)	Weight (Bare Reel)
35m	35m	30-35m	600 (H) x 360 (W) x 590 (D)	30kgs