

MS1-10 and MSC1-10



General

For safety during installation and later use it is very important that installation, operating and maintenance instructions are carefully followed.

You are requested to keep this instruction manual at a location where it will be available at all times, and it should be submitted to the person who is responsible for this product. In the event that the instruction manual is lost, you are welcome to order a new one from your dealer.

If any doubt should arise with regard to the content of these instructions, please contact the distributor.

Proper use

System Cleaners' system is exclusively designed to transport and pressure-increase of water to satellite stations. All other forms of application or use not within the scope of the above are considered to be improper and inconsistent with the requirements and regulations, and may lead to hazardous situations.

System Cleaners A/S cannot be held liable for consequential damage resulting from improper use of the equipment.

Proper use includes the following:

- The instructions, regulations and recommendations concerning the system stated in the instruction manual
- Observance of the specified inspection and maintenance intervals
- Correct maintenance of good operating condition of the system
- Observance of the specified environmental and operating conditions

Proper use also includes observance of all information that is stated in this instruction manual. This applies in particular to the specified safety instructions.

Liability

Each user must handle and use the system in a responsible manner.

It is therefore of great importance that this instruction manual is available to the sanitation employee concerned at all times.

Safety

The design of the system complies with generally accepted technical regulations and provisions concerning the working environment and accident prevention. Despite this, risks can occur during use that can lead to physical inconvenience for the user or a third party or have an impact on the machine or other equipment.

The system must therefore be in prime technical condition before use and may only be used in accordance with its purpose and with strict observance of the safety requirements and operating instructions. In particular, malfunctions and irregularities that can affect safety must be remedied immediately.

Warranty

For a period of 24 months from the date of delivery, your dealer will honor a warranty on parts that do not function properly due to material defects or manufacturing faults. The warranty does not cover wearing parts. The warranty will cover replacement or repair of the defective part. Costs with regard to dismantling, forwarding and reassembly are defrayed by the purchaser. Any return shipments from System Cleaners A/S following completed repairs are defrayed by System Cleaners A/S. The defective parts remain the property of System Cleaners A/S.

Claims that may be made for legal reasons, ordinary wear and tear, as well as damage to parts that can be attributed to negligent or improper handling are not covered by the warranty. The warranty will be void if the system has been exposed to frost. The warranty will also be void if modifications or repairs have been carried out by unauthorized personnel. Warranty claims will only be accepted if they are reported to System Cleaners A/S immediately after damage has been discovered. The warranty is terminated if there is a change of ownership of the machine. System Cleaners A/S and its dealers cannot be held liable for personal injury, damage to equipment, loss of earnings, including production losses, losses to stock or similar that may have arisen as a result of defects or delayed delivery of the sold product, irrespective of the cause, including manufacturing faults or material defects. In addition, please refer to our general terms and conditions of sales and delivery.

Disposal

Please be aware of the following applicable provisions: the equipment must be disposed of according to its nature and applicable requirements, e.g. electrical scrap, synthetic material, stainless steel, brass, etc.

Labelling

The system is equipped with a type plate containing technical data.

The type plate is located on a fixed part of the system.

Declaration of conformity (electrical)

We declare that this product is in conformity with the following directives:

- 2006/42/EC Directive on Machinery
- 2014/35/EU Low Voltage Directive
- 2014/30/EU EMC Directive



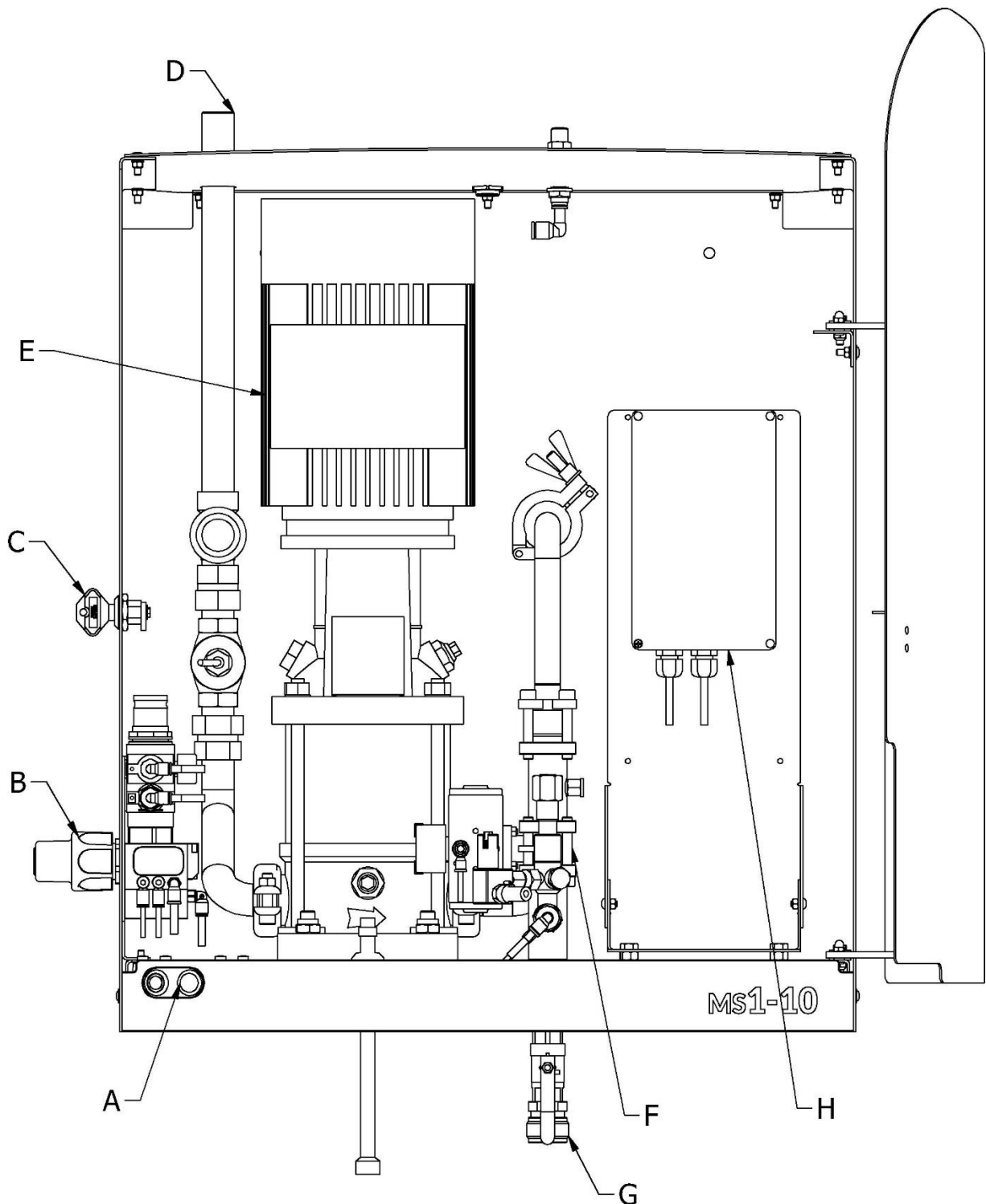
Per Kjøller
Development Manager

Main station (MS1-10/MSC1-10)

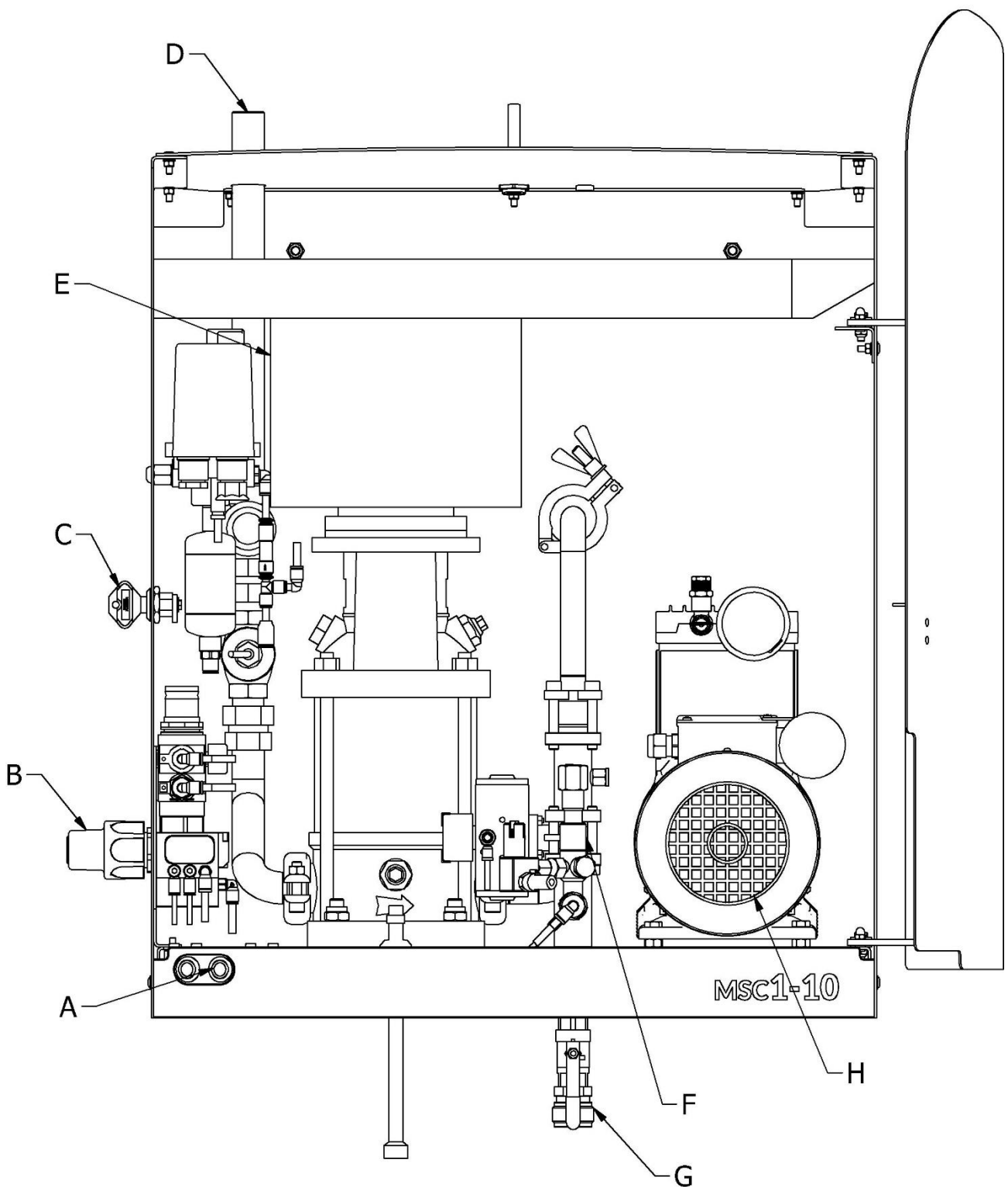
A main station has a built-in pump, a built-in satellite, a built-in compressor (depending on model) and is connected to electrical power, water mains, a number of chemicals and compressed air (depending on model). It supplies pressurized water to the built-in satellite.

With the built-in satellite it is possible for one operator to rinse, foam or disinfect (depending on model).

MS1-10 120 V



MS1-10 230V



Pos.	Description	Model
A	Start/Stop	All
B	Selector switch	All
C	Key	All
D	Inlet water	All
E	Pump	All
F	Injector system	All
G	Outlet	All
H	Electrical control	120 V
H	Compressor	MSC1-10 230 V

INSTALLATION

Storage

The machine must not be exposed to frost unless it has been emptied of water (frost protected). Even brief periods of exposure to frost may cause damage to the equipment.

Store the equipment in a frost-free room in the original packing.

Installation

Place the equipment in a frost-free room, well protected from the sun and place it on a hard surface.

Make sure that, in the event of failing non-return valves in the air and water supply, there are suitable back-flow preventers fitted.

Local regulations may require installation of a back-flow protecting device to prevent compressed air or chemicals getting into the water supply.

Piping

The piping should be made from materials suitable for the media in the pipes, the maximum pressure and temperature.

It is the fitter's responsibility to ensure that the piping including all armatures conform to local regulations.

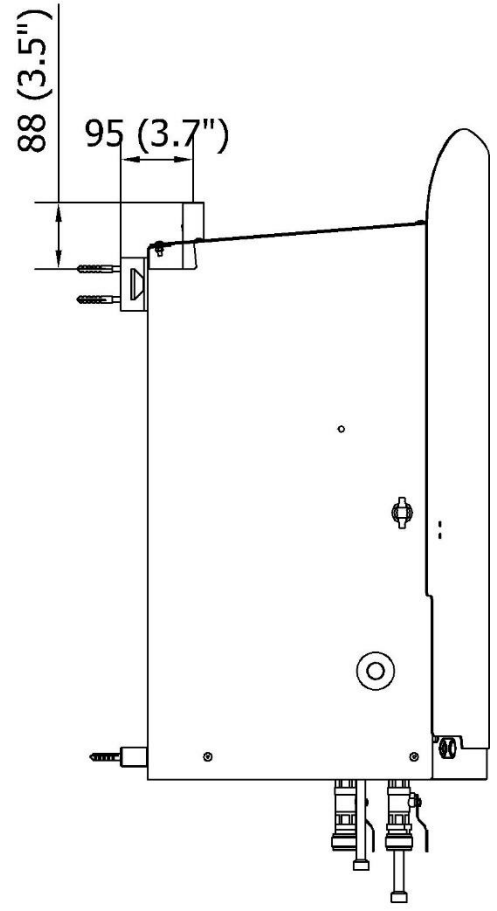
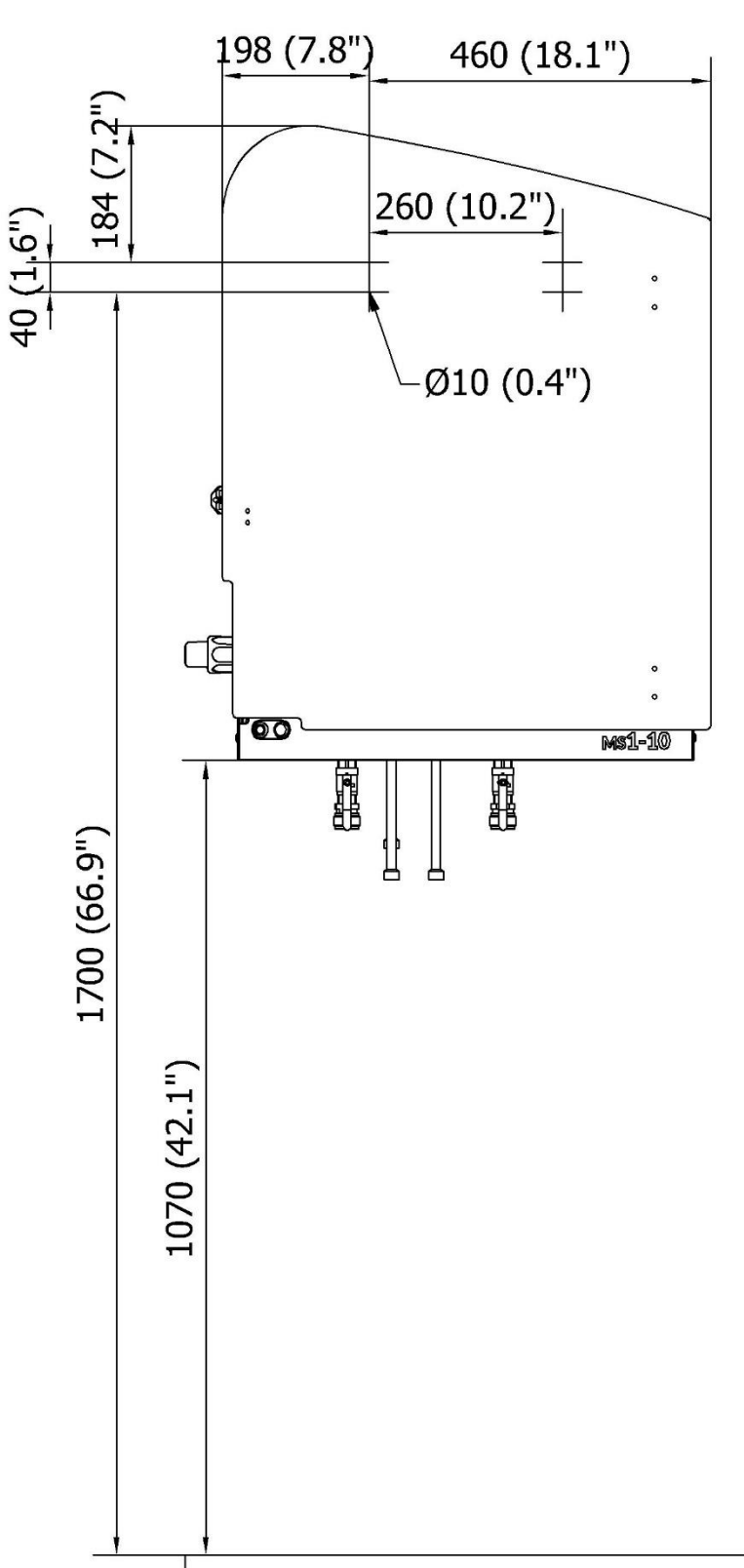
The installation must be performed such that forces from pipes etc. are not transferred to the equipment during and after fitting, as this may result in leaks or damage the equipment.

Select a pipe size so that the flow velocity in the pipe is up to 3 meters/second (10 feet/second). This gives a normally accepted pressure loss and low noise from the flow.

In order to facilitate maintenance of the equipment, it is recommended to fit a shut-off valve in the pipelines immediately at the connections for water.

Pipe supports

Always use pipe supports designed for the pipe size and material and maximum working pressure and temperature.



COMMISSIONING

Flushing

Pipes etc. must be flushed efficiently before connecting the unit.

Before commencing operation on the unit or following repair work, the unit must be flushed thoroughly to remove any impurities or foreign bodies.

Disinfection

Local specifications may require disinfection of the wetted parts like internals of pipes and pumps before use to avoid contamination of newly cleaned surfaces.

Dosing

Adjust the dosing according to the chemical supplier's recommendations.

Always calibrate and, if required, document the dosing on a regular basis.

Air

Adjust the air pressure until a satisfactory foam quality is achieved.

Note that good foam quality depends on the mixture of water, chemical and air and getting a perfect result requires some adjustments of the mixing ratios.

OPERATION

Safety

It is recommended that suitable working clothes be worn. For protection against certain types of detergents, always use protective goggles, respiratory protective equipment and rubber gloves.

It is recommended that non-slip footwear be worn since the floor can be slippery due to the presence of water and foam.

This system may only be operated, maintained and – not least - repaired by persons who are familiar with the system and properly trained to carry out the job concerned.

It is the customer's responsibility that these installation and operating instructions are supplemented by in-house instructions concerning inspection and reporting, industrial management, personnel training, etc.

Do not carry out any work if you are unsure of the consequences or are insufficiently skilled to carry it out. If in doubt, you should contact your superior or your agent in advance.

Never direct the water jet at other persons.

Never direct the water jet at electrical installations.

Check that couplings "lock" when hoses and nozzles are fitted. If possible, practise this procedure before operation. Always relieve the pressure in the rinsing hose by opening the low-pressure gun or valve after the water supply has been shut off before dismantling the couplings and removing the hose.

During operation of the system, ensure that the low-pressure gun/valve is closed before releasing the handle.

When the low-pressure gun or valve is opened, the water jet will result in a certain amount of counter-pressure. Therefore make sure that you hold the handle firmly and have a firm foothold.

Before removing the cabinet, the power supply must be switched off.

Safety precautions and safety devices must comply with national regulations applicable at any time.

Internally, protection corresponds to IP 55. On a number of components hazardous voltages can occur. During operation the cabinet must always be closed.

Never insert or remove a plug from an electrical socket unless the power has been switched off.

System Cleaners low-pressure systems may only be used in conjunction with soaps and chemicals that are approved for cleaning within the food or transport industries.

Soaps and chemicals that are classified as highly corrosive, toxic or which pose a health risk to humans or animals may not be used.

The system must not be used together with solvents or volatile liquids that pose a health risk or are inflammable.

In the event that the system is used with non-approved soaps, chemicals or solvents, System Cleaners A/S disclaims all liability.

If in doubt, please contact your soap or chemical supplier and read the supplier manual.

In the event that you use the system with chemicals that require mandatory labelling, or if the water temperature exceeds 50°C, a low-pressure gun with an automatic closing device must be used.

Start

The system starts automatically in the event of falling pressure in the outlet pipe like when the operator opens the low pressure gun or valve.

Stop

The system stops automatically shortly after water is no longer being used like when the operator closes the low pressure gun or valve.

Leaks

If there are leaks in the system's non-return valve, pipelines or satellites, the pump will start although there is no water being used.

Pressure relief

After use shut the isolating valves over the equipment and relieve air and water pressure in hoses etc.

MAINTENANCE

Water filter

Depending on the mains water quality it may be necessary to clean the water filter on a regular basis to prevent the pump from stopping.

Flow switch

The flow switch does not require maintenance.

Water non-return valve

Water non-return valves are critical wear parts and should be replaced yearly.

Compressor

The compressor is oil-less and does not require lubrication or any other maintenance.

Air filter

Depending on the quality of the compressed air it may be necessary to empty condensation collected in the air filter bowl on a regular basis.

Injector system

The injector system consists of foot strainer, dosing valve, non-return valve and injector.

Chemical residues compromises the function of the injector and flushing with warm water after each use is required to maintain trouble free operation.

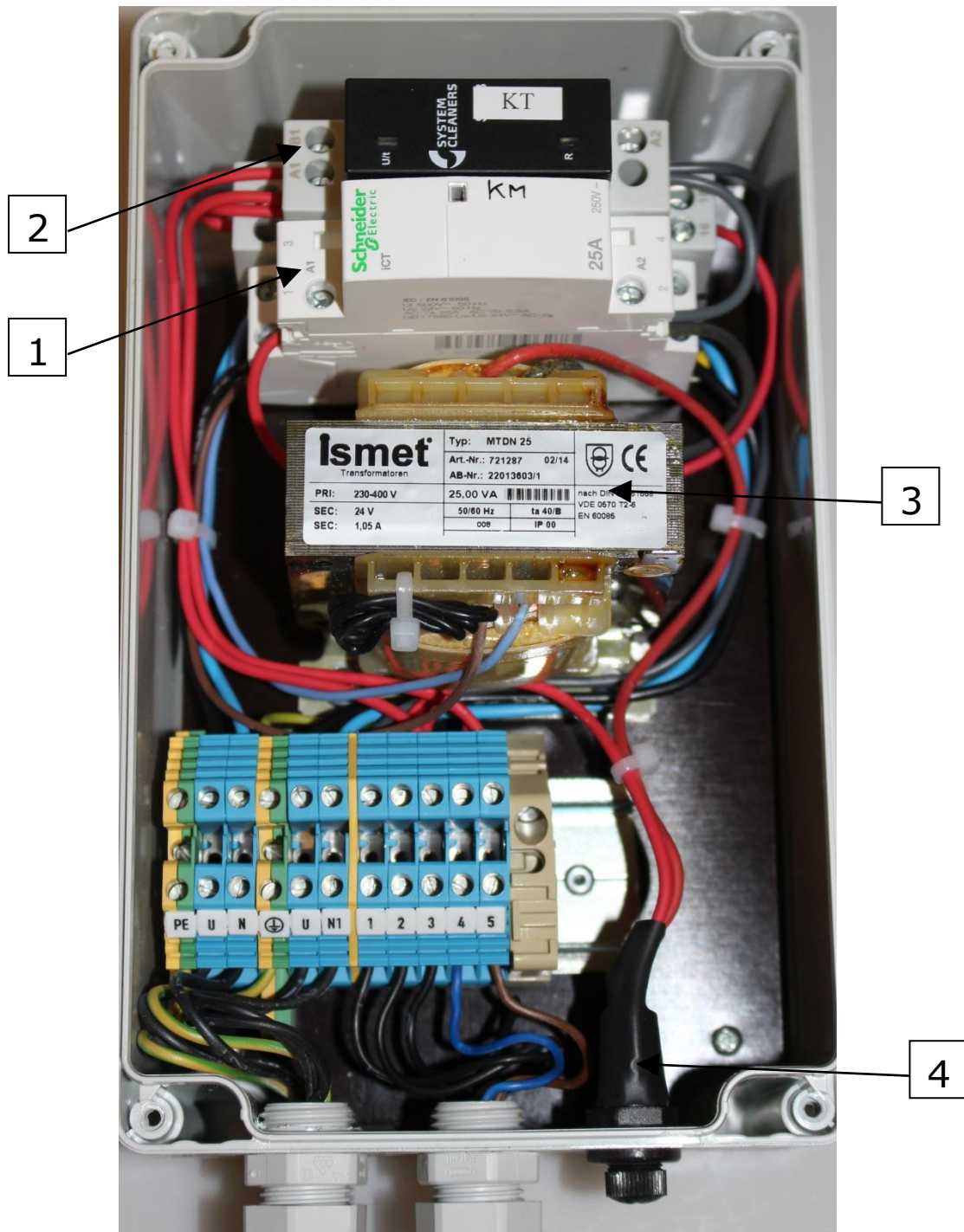
Depending on the water quality it may be necessary to de-scale the water side of the injector on a regular basis following the chemical supplier's guidelines.

TROUBLE SHOOTING

Fault	Cause	Remedy
No water or insufficient water at the nozzle when rinsing	Function selector is in closed position	Turn the function selector switch to the desired function
	Insufficient water supply to the unit	Make sure that the water supply is as described in the technical specifications
	Valve at the end of the hose not open	Open valve
The unit does not suck up detergent	Function selector is not in the correct position	Turn function selector switch to desired function
	Suction filter or chemical restrictor are blocked by chemical residue	Clean suction filter or chemical restrictor
	Water pressure is too low	Make sure water supply is as described in the technical specifications
	Suction filter is above the fluid level in chemical container	Position the suction filter below fluid level
Poor foam quality	Chemical product is not a foaming product	Change to a foaming chemical
	Incorrect dosing	Adjust the dosing according to chemical supplier's specifications
	Suction filter or chemical restrictor are blocked by chemical residue	Clean the suction filter or chemical restrictor
	Water pressure is too low	Make sure that the water supply is as described in the technical specifications
	Air pressure too low	Increase air pressure
	Non-original foam nozzle fitted	Replace with original white foam nozzle

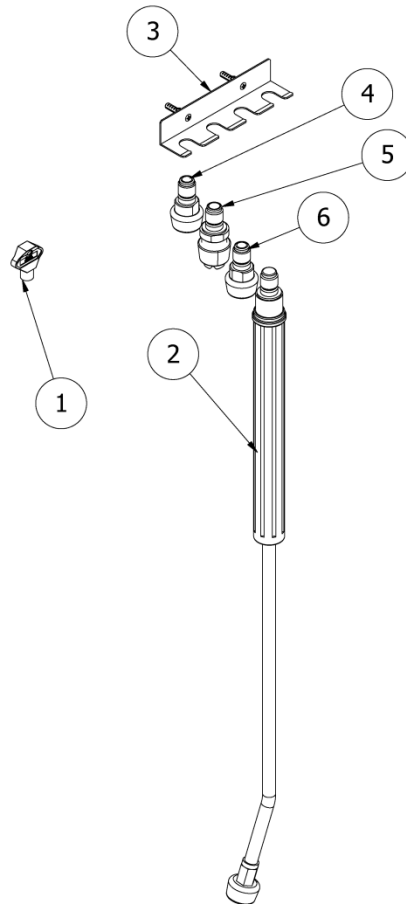
Fault	Cause	Remedy
Rinse pressure too low	Pump station not started	Press green button
	Too many simultaneous users	Reduce the number of simultaneous users
	Pump stopped due to inlet pressure less than 1.5 bar (23 psi)	Increase inlet pressure to between 1.5 and 10 bar (23 and 145 psi)
The device will not start	Valve in inlet or outlet closed	Open valves
	Inlet water pressure less than 1.5 bar (23 psi)	Increase inlet pressure to between 1.5 and 10 bar (23 and 145 psi)

Electrical Control MS1-10 120V



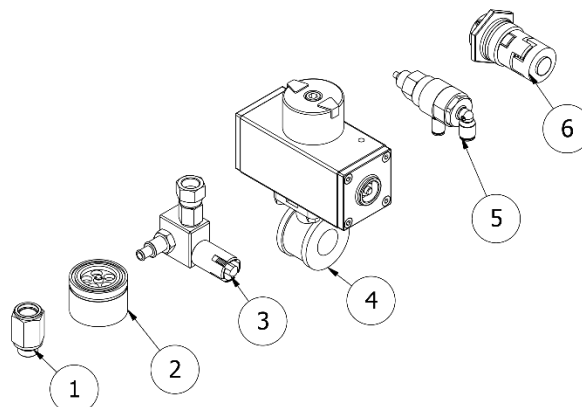
Pos.	Part no.	Description	Version
1	36-700050	Multirelay 9 24V	All
2	36-700040	Time relay	All
3	35-900084	Transformer 25VA 120V	All
4	35-900040	Fuse 1A	All

Accessories



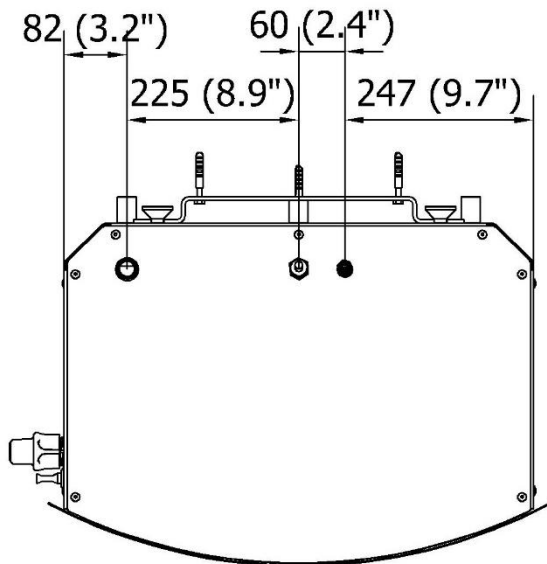
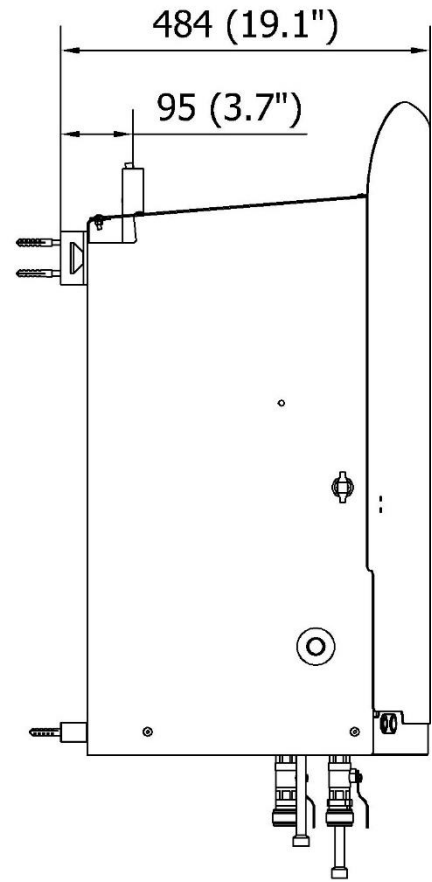
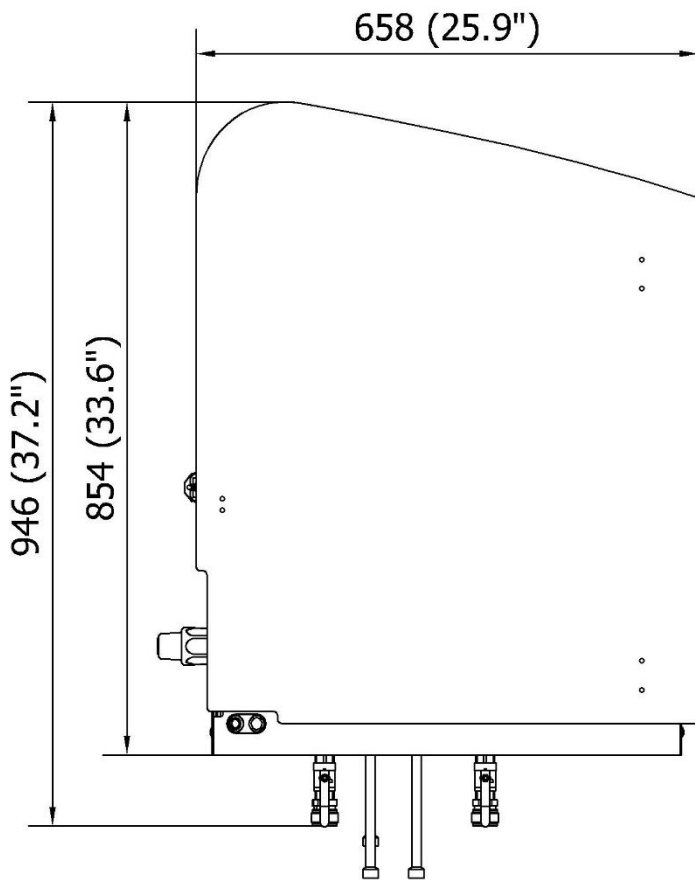
Pos.	Part no.	Description	Material
1	72-100010	Key for housing	Plastic
2	53-015303	Rinse pipe 660mm 15/30 BR	-
3	57-000050	Nozzle holder for 4 System nozzles	-
4	53-015301	Rinse nozzle System 15/30 BR	-
5	53-651500	Foam nozzle System BR65/150	-
6	52-160300	Disinfection nozzle 60/30 KS	-

RECOMMENDED SPARE PARTS



Pos.	Part no.	Description	Material
1	20-200025	Non-return valve air 1/4"	-
2	20-200410	Non-return valve 1/2"	AISI 304/NBR
3	20-400053	Dosing valve concentrated	AISI 316/Viton
4	20-000283	Ball valve 1/2" with actuator	-
5	15-010162	Air fitting elbow $\varnothing 2,0$	Nickel-plated brass/Plastic
6	32-300010	Shaft seal cartridge 1/3/5 M3	-

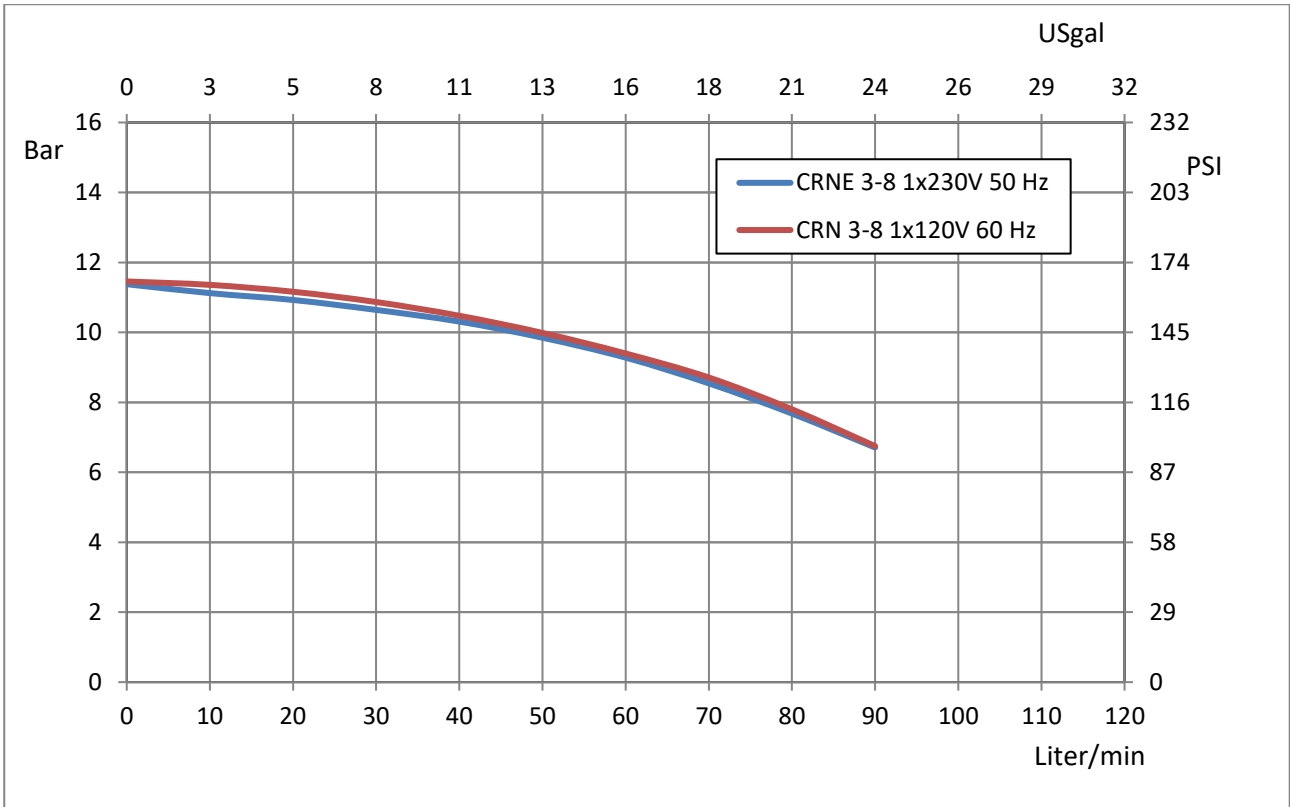
TECHNICAL SPECIFICATIONS



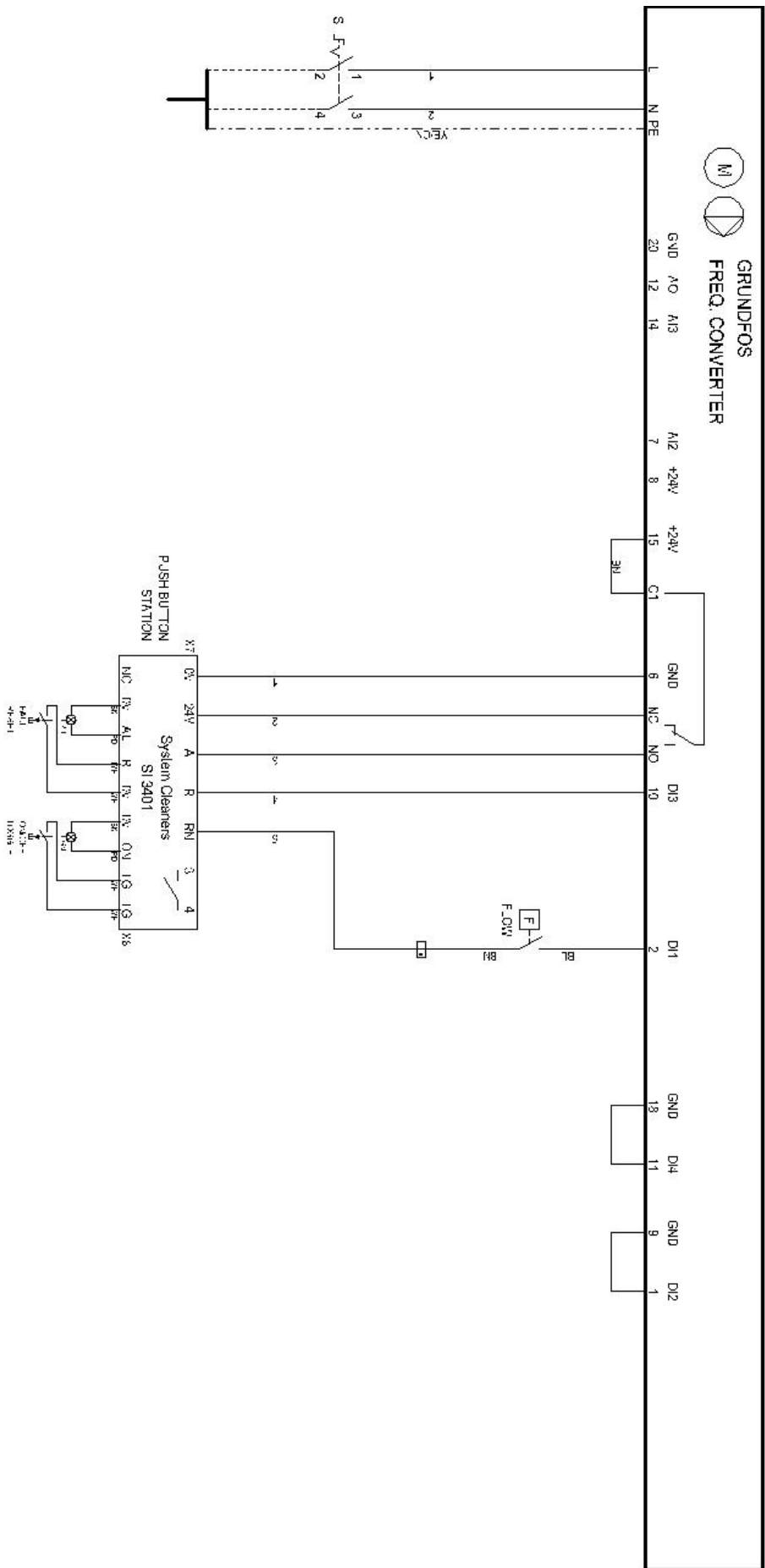
TECHNICAL SPECIFICATIONS

Installation	MS1-10	MS1-10	MSC1-10
Ambient temperature			
Pump	3-40°C / 37-104°F		
Pump type			
Pump motor power	CRN 3-8	CRNE 3-8	
Compressor motor power	1.1 kW / 1.5 HP		
Connections	-	-	1 kW / 1.3 HP
Inlet air			
Inlet water	1/4" NPT	Ø8	-
Outlet	3/4" NPT	3/4" BSP	3/4" BSP
Water, inlet	SC coupling		
Pressure			
Temperature	1.5-4 bar / 22-58 psi		
Minimum recommended flow	3-70°C / 37-160°F		
Water, outlet	75 liter/min / 19.8 USgal/min		
Maximum flow at 10 bar (145 psi) (including 4.0 bar (58 psi) inlet pressure)			
Air, inlet	50 liter/min / 13 USgal/min		
Pressure			
Minimum flow	5-10 bar / 72-145 psi		-
Electrical	150 liter/min / 5.3 cfm		-
Voltage and frequency			
Current	1x120 V/60 Hz	1x230 V/50 Hz	
Recommended pre-fusing	16.8-14.6 A	6.7-5.6 A	
Recommended cable cross section	20 A	10 A	
Chemical	3x1.5 mm ² / 3xAWG16		
Dosing range			
Dimensions	0.2-6%*		
Weight			
Installation	50 kg / 110 lbs		60 kg / 132 lbs

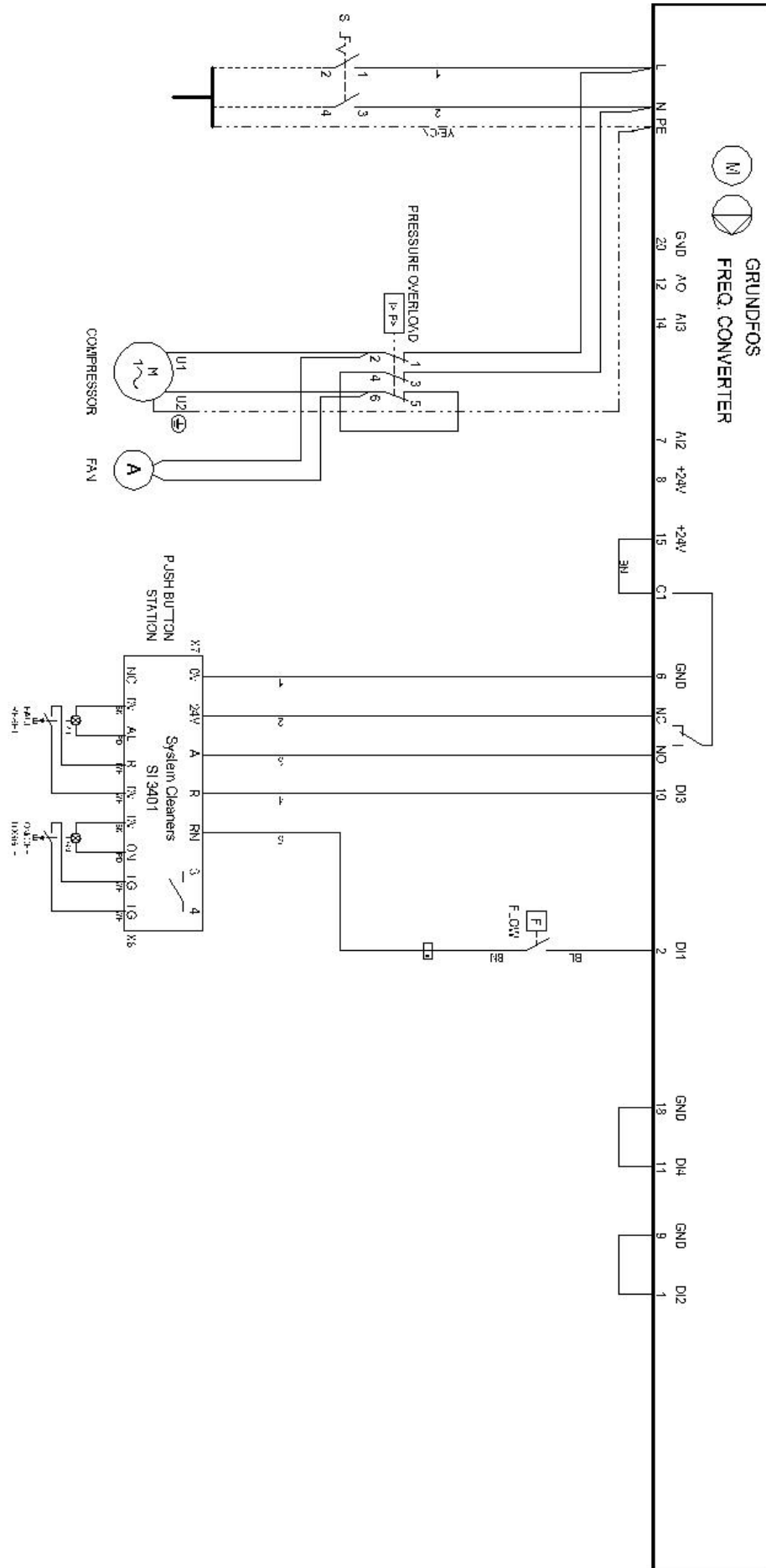
Pump curve



Wiring diagram MS1-10

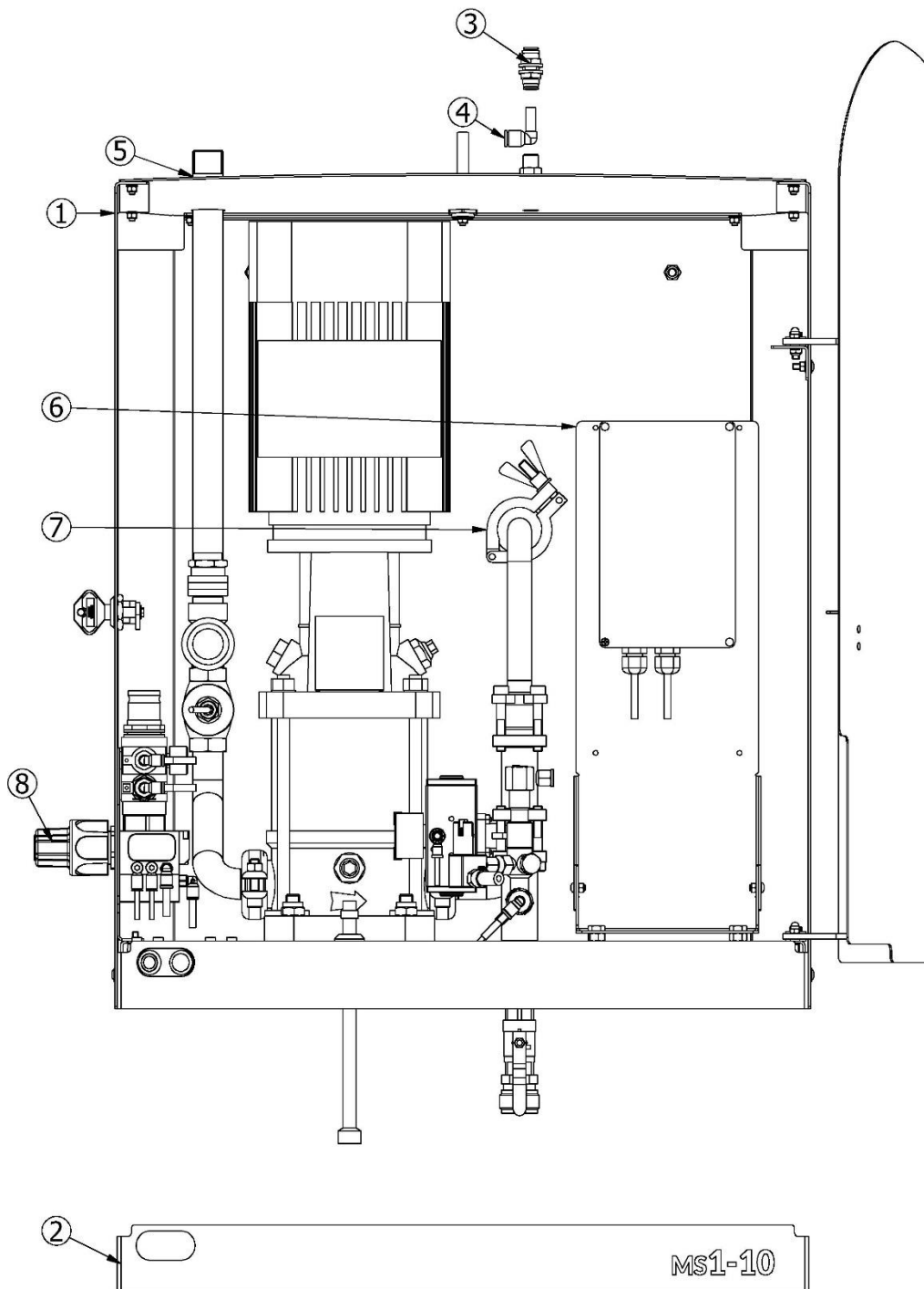


Wiring diagram MSC1-10



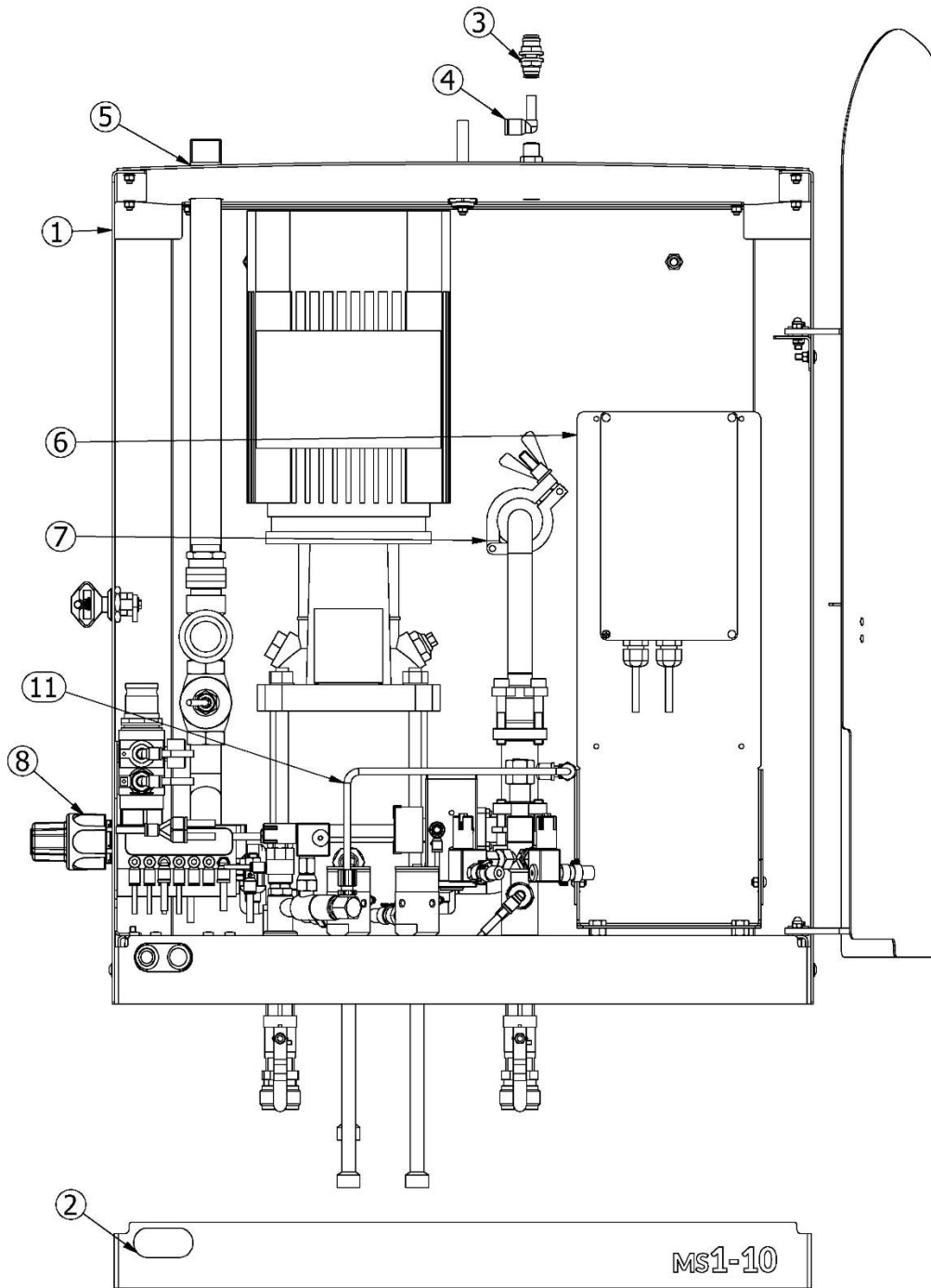
*Please note:
We reserve the right to make alterations to the technical specifications without notice.*

MS1-10 F - 120V



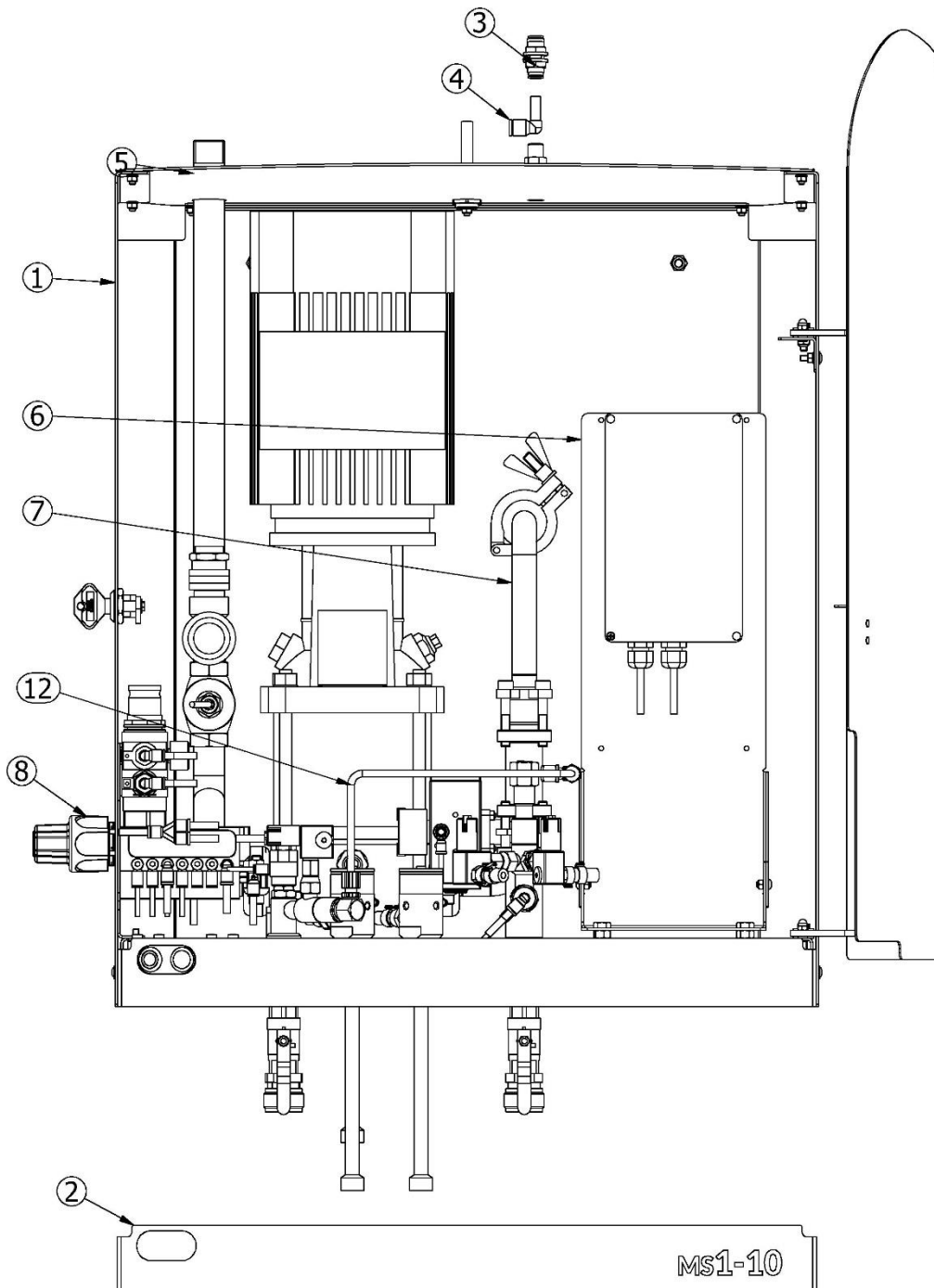
Item	Part Number	Description	Material
1	05-029831	Cabinet 500mm MS1-10/AMM50-10	-
2	69-500280	Border label MS1-10	-
3	15-000071	Bulkhead Union air ø8	Plastic
4	15-000061	Air fitting 8x8 elbow	Plastic
5	03-705101	Base model MS1-10 / AMM50-10 1x120V 50/60Hz NPT	-
6	03-705115	Control assembly MS1-10 1x120V 60Hz	-
7	03-705165	Injector system MS1/MS1-10	-
8	03-705055	MS1/MS1-10 function: F	-

MS1-10 F + D - 120V



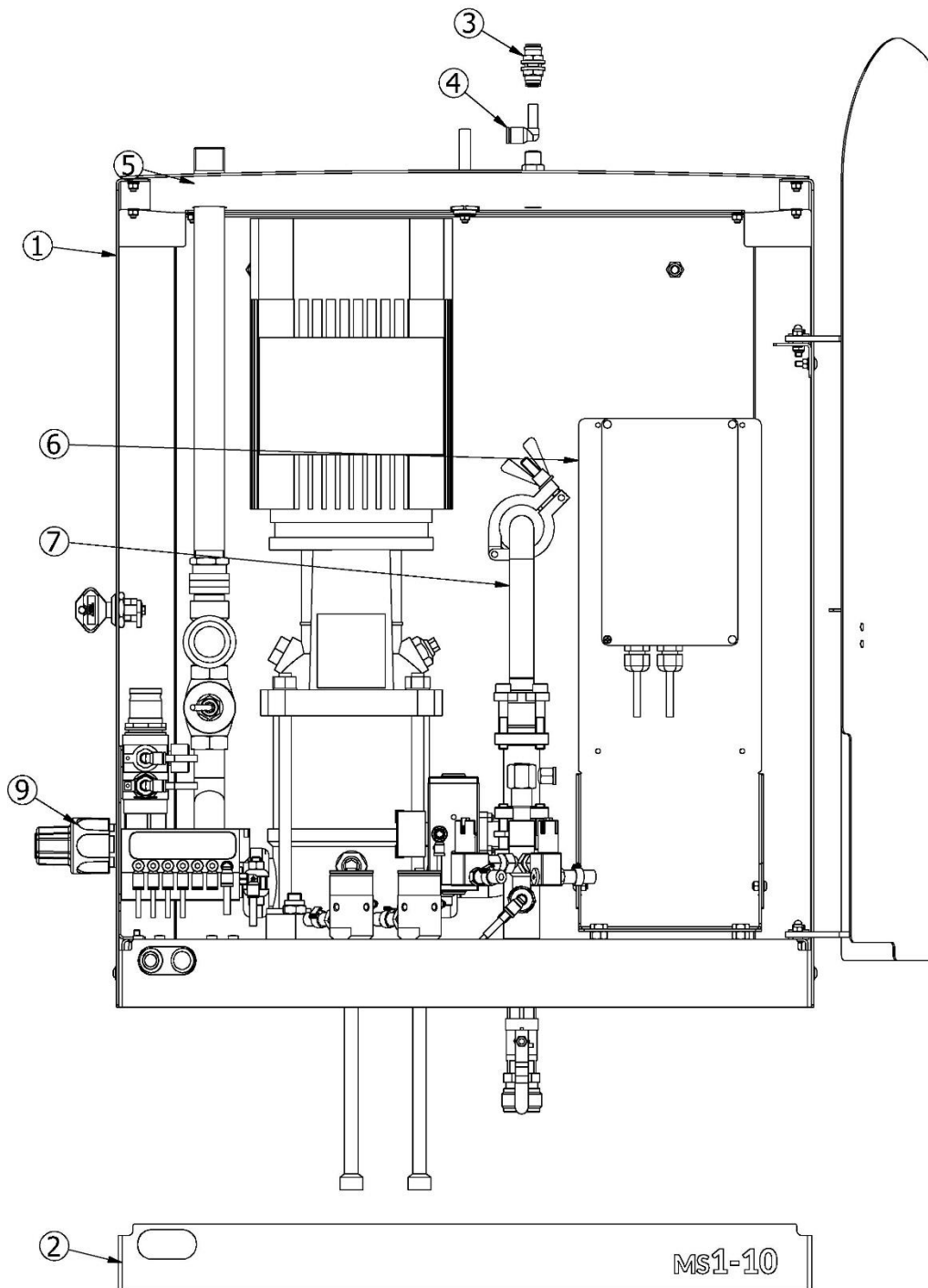
Item	Part Number	Description	Material
1	05-029831	Cabinet 500mm MS1-10/AMM50-10	-
2	69-500280	Border label MS1-10	-
3	15-000071	Bulkhead Union air ø8	Plastic
4	15-000061	Air fitting 8x8 elbow	Plastic
5	03-705101	Base model MS1-10 / AMM50-10 1x120V 50/60Hz NPT	-
6	03-705115	Control assembly MS1-10 1x120V 60Hz	-
7	03-705165	Injector system MS1/MS1-10	-
8	03-705055	MS1/MS1-10 function: F	-
11	03-705170	MS1/MS1-10 Sep. D	-

MS1-10 F + F - 120V



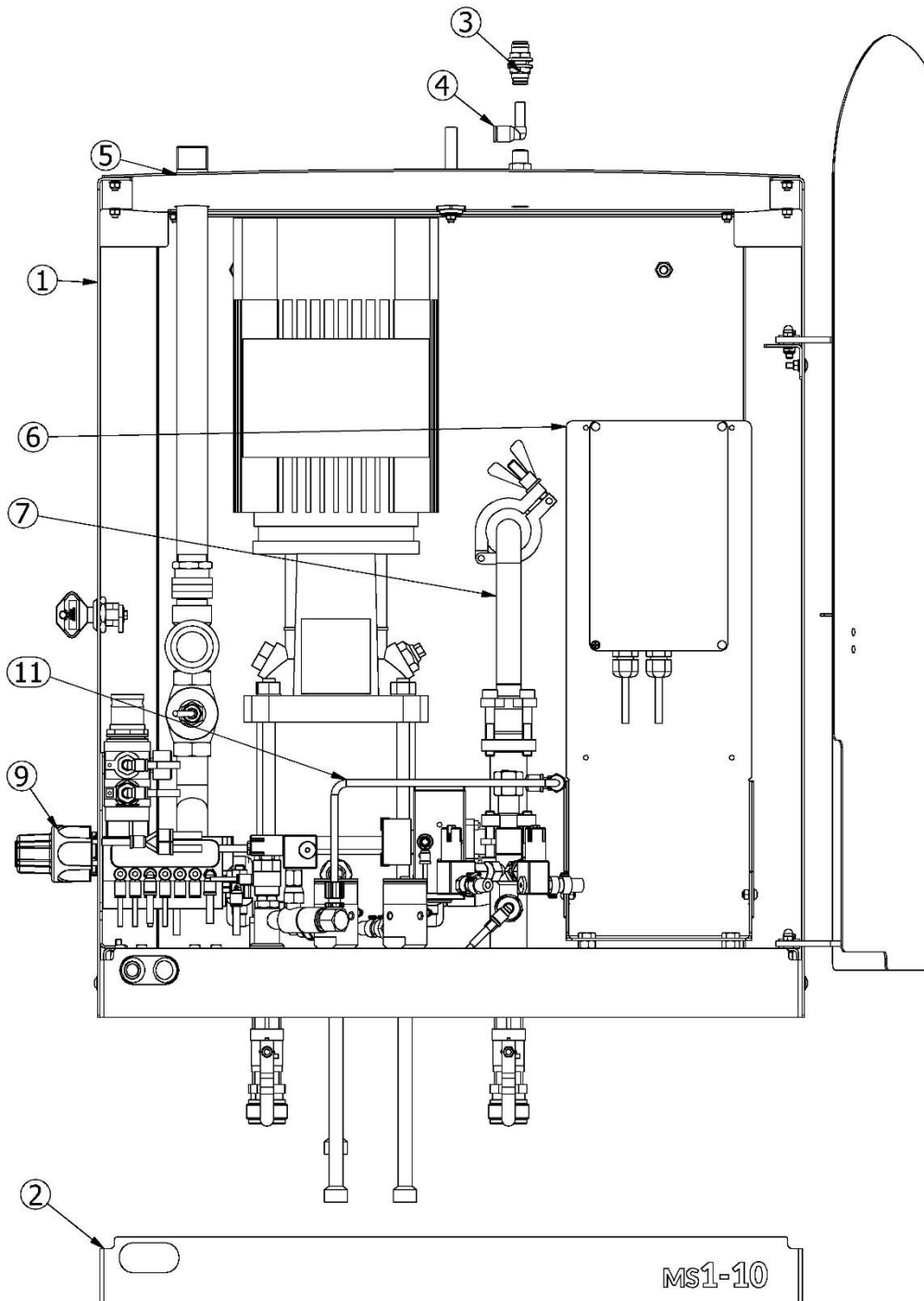
Item	Part Number	Description	Material
1	05-029831	Cabinet 500mm MS1-10/AMM50-10	-
2	69-500280	Border label MS1-10	-
3	15-000071	Bulkhead Union air ø8	Plastic
4	15-000061	Air fitting 8x8 elbow	Plastic
5	03-705101	Base model MS1-10 / AMM50-10 1x120V 50/60Hz NPT	-
6	03-705115	Control assembly MS1-10 1x120V 60Hz	-
7	03-705165	Injector system MS1/MSC1-10	-
8	03-705055	MS1/MSC1-10 function: F	-
12	03-705175	MS1/MSC1-10 Sep. F	-

MS1-10 F D - 120V



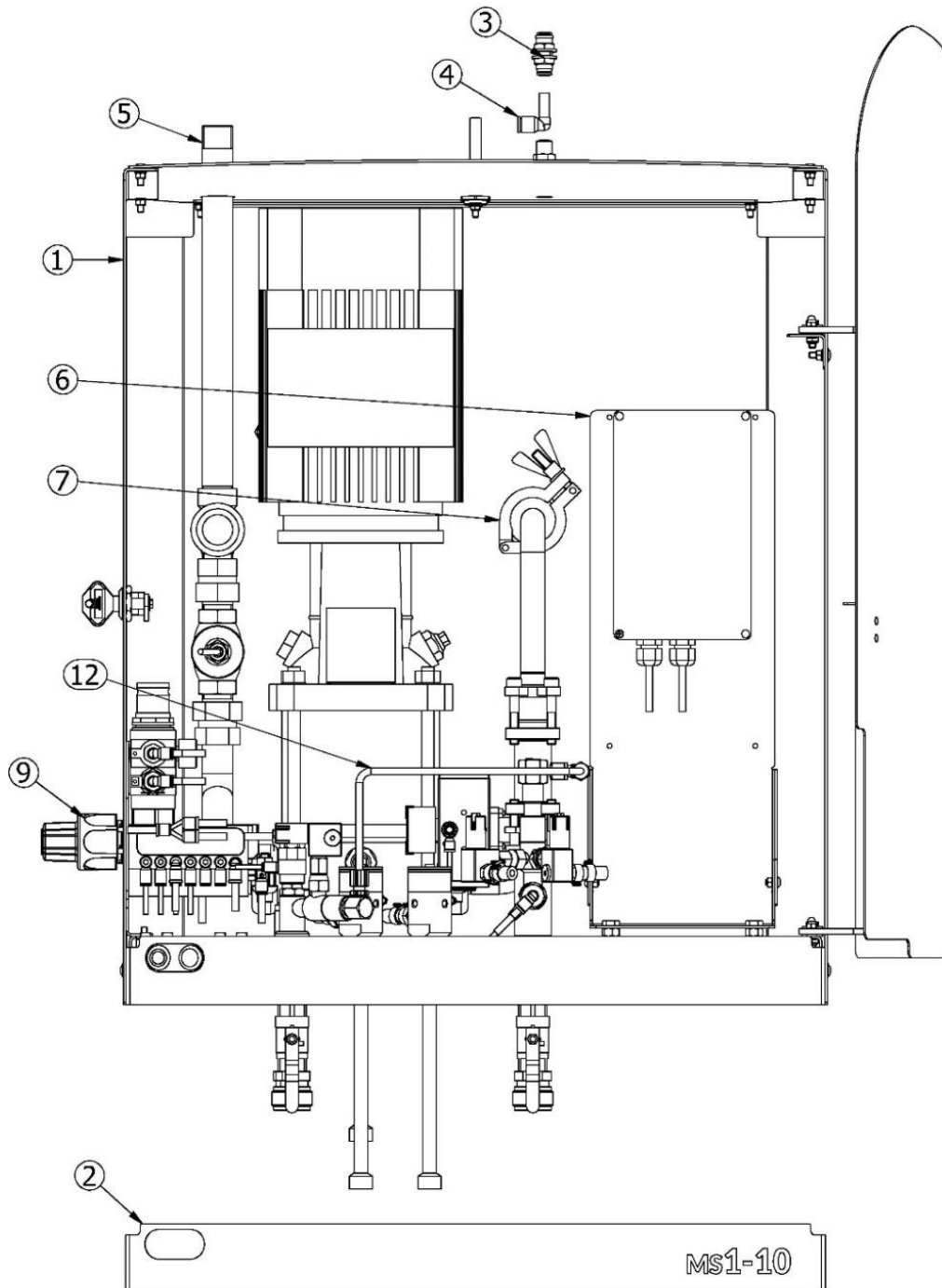
Item	Part Number	Description	Material
1	05-029831	Cabinet 500mm MS1-10/AMM50-10	-
2	69-500280	Border label MS1-10	-
3	15-000071	Bulkhead Union air ø8	Plastic
4	15-000061	Air fitting 8x8 elbow	Plastic
5	03-705101	Base model MS1-10 / AMM50-10 1x120V 50/60Hz NPT	-
6	03-705115	Control assembly MS1-10 1x120V 60Hz	-
7	03-705165	Injector system MS1/MS1-10	-
9	03-705060	MS1/MS1-10 function: F D	-

MS1-10 F D + D - 120V



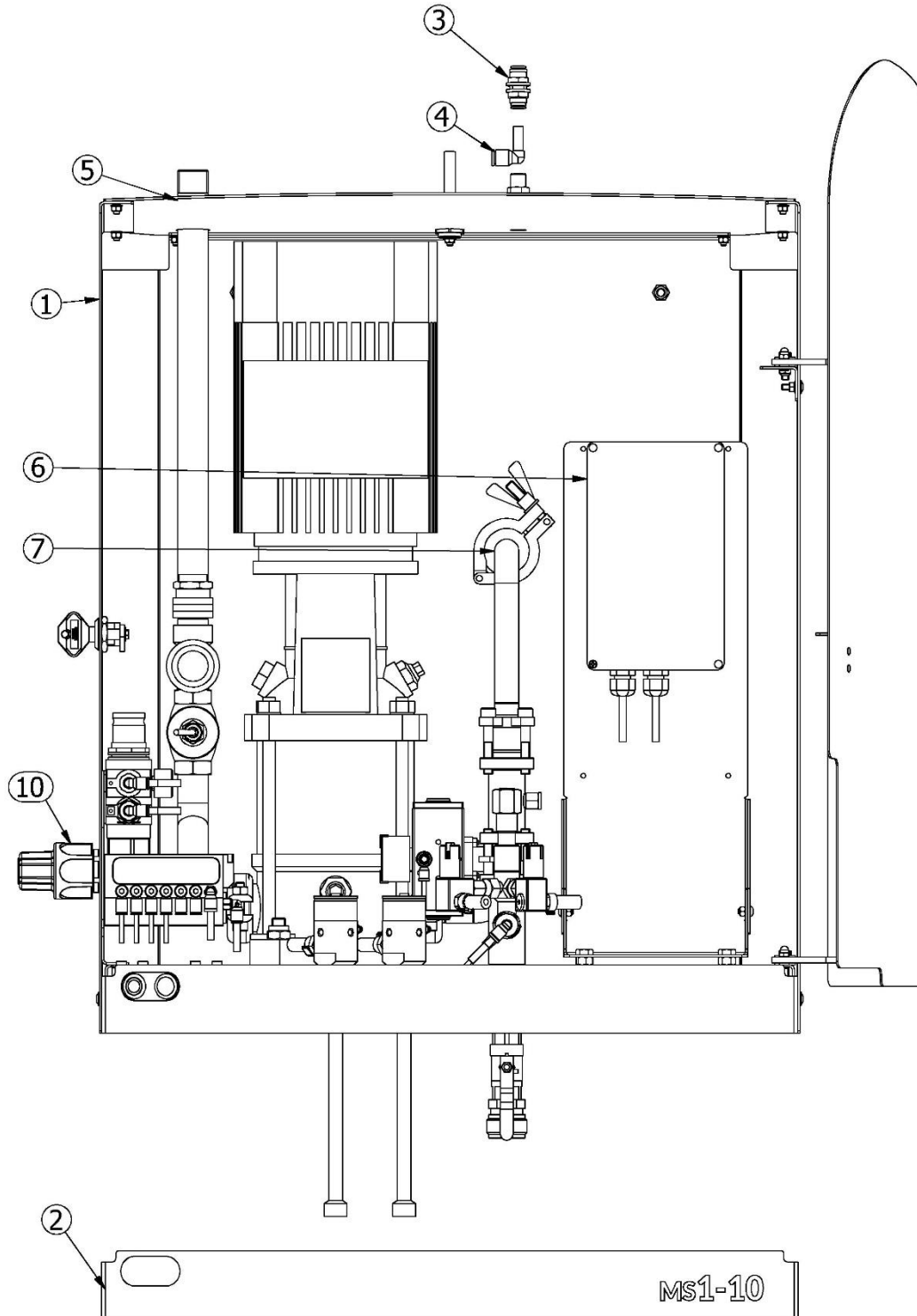
Item	Part Number	Description	Material
1	05-029831	Cabinet 500mm MS1-10/AMM50-10	-
2	69-500280	Border label MS1-10	-
3	15-000071	Bulkhead Union air ø8	Plastic
4	15-000061	Air fitting 8x8 elbow	Plastic
5	03-705101	Base model MS1-10 / AMM50-10 1x120V 50/60Hz NPT	-
6	03-705115	Control assembly MS1-10 1x120V 60Hz	-
7	03-705165	Injector system MS1/MS1C1-10	-
9	03-705060	MS1/MS1C1 -10 function: F D	-
11	03-705170	MS1/MS1C1-10 Sep. D	-

MS1-10 F D + F - 120V



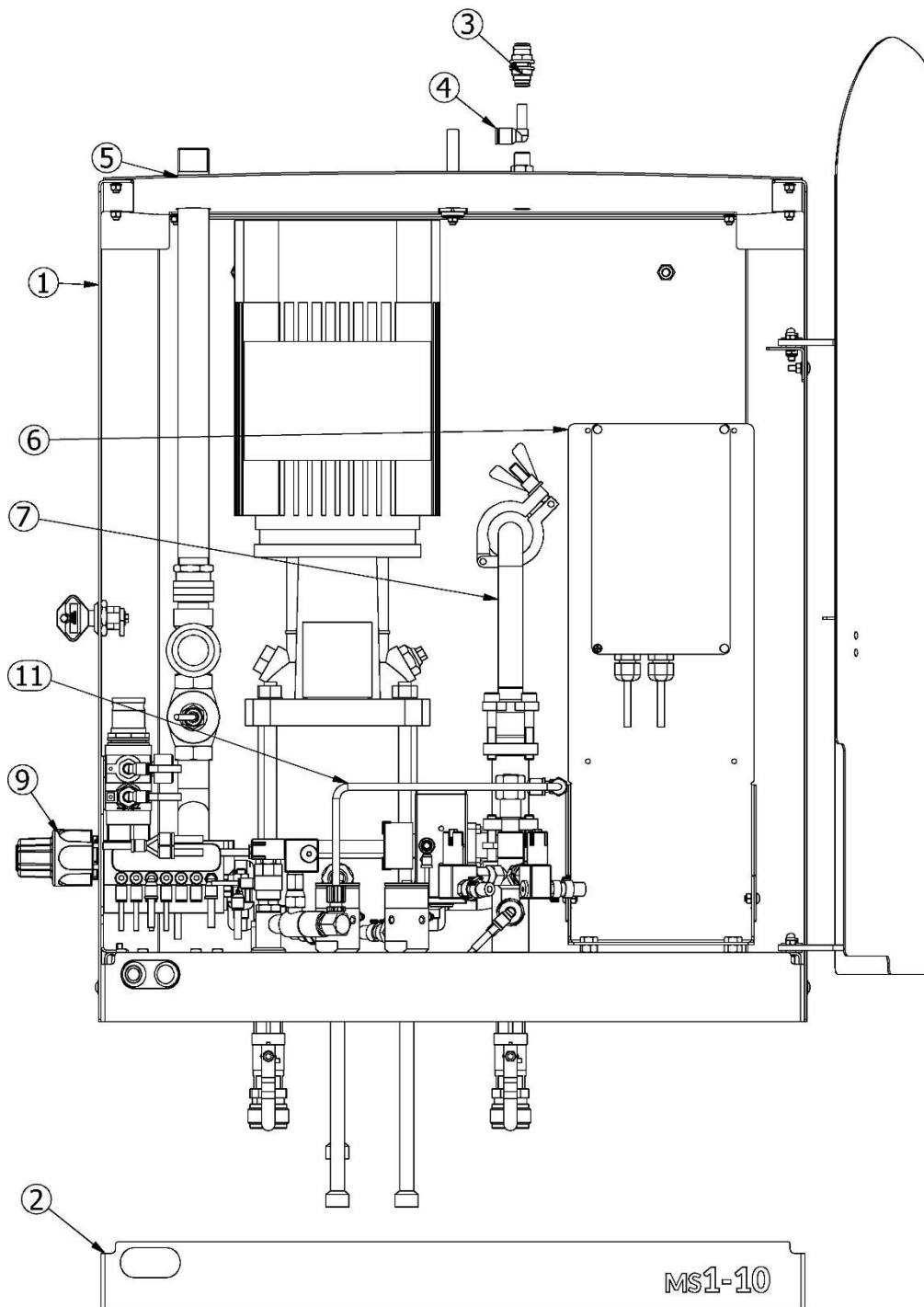
Item	Part Number	Description	Material
1	05-029831	Cabinet 500mm MS1-10/AMM50-10	-
2	69-500280	Border label MS1-10	-
3	15-000071	Bulkhead Union air ø8	Plastic
4	15-000061	Air fitting 8x8 elbow	Plastic
5	03-705101	Base model MS1-10 / AMM50-10 1x120V 50/60Hz NPT	-
6	03-705115	Control assembly MS1-10 1x120V 60Hz	-
7	03-705165	Injector system MS1/MSC1-10	-
9	03-705060	MS1/MSC1 -10 function: F D	-
12	03-705175	MS1/MSC1-10 Sep. F	-

MS1-10 F F - 120V



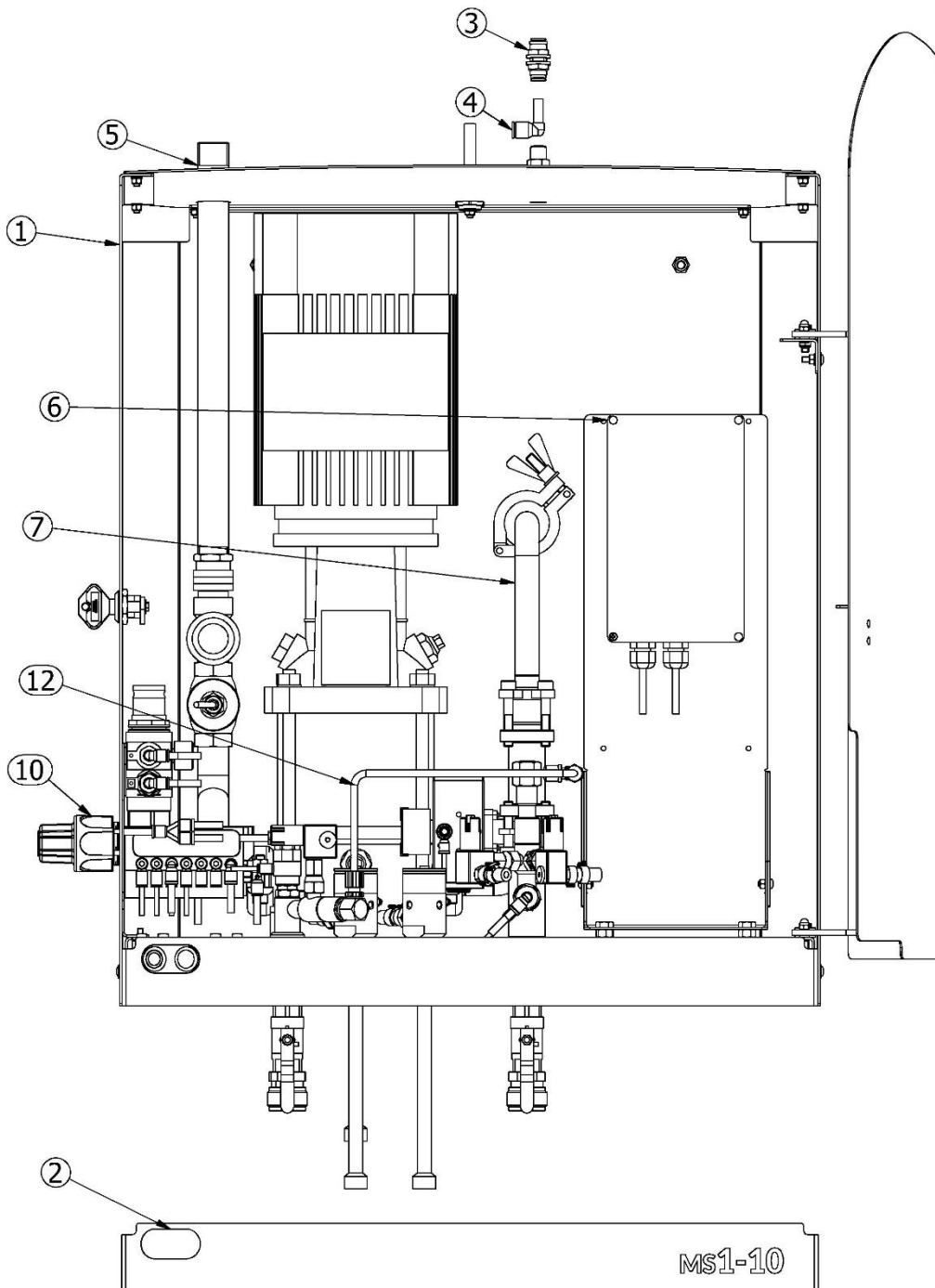
Item	Part Number	Description	Material
1	05-029831	Cabinet 500mm MS1-10/AMM50-10	-
2	69-500280	Border label MS1-10	-
3	15-000071	Bulkhead Union air ø8	Plastic
4	15-000061	Air fitting 8x8 elbow	Plastic
5	03-705101	Base model MS1-10 / AMM50-10 1x120V 50/60Hz NPT	-
6	03-705115	Control assembly MS1-10 1x120V 60Hz	-
7	03-705165	Injector system MS1/MS1C1-10	-
10	03-705065	MS1/MS1C1 -10 function: F F	-

MS1-10 F F + D - 120V



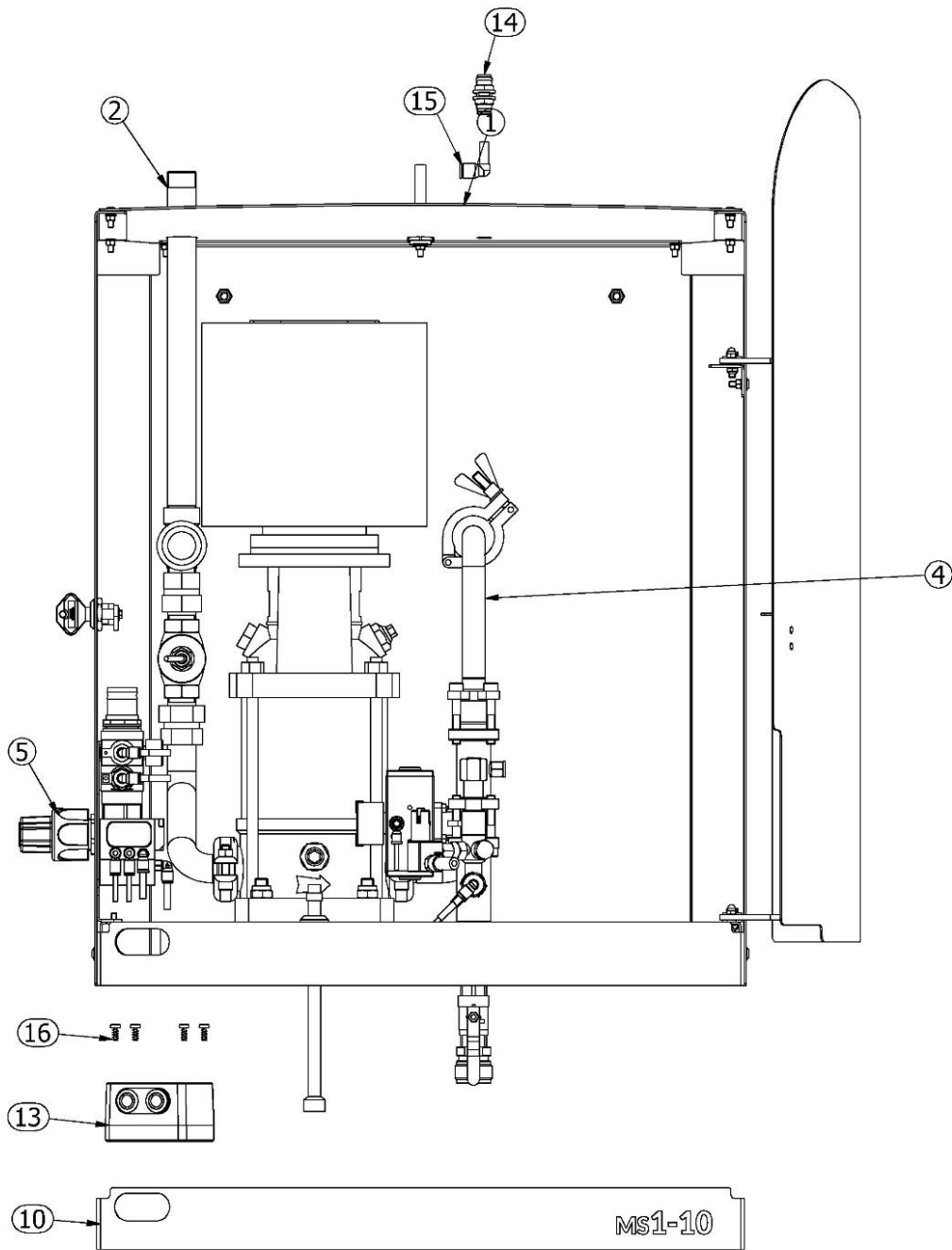
Item	Part Number	Description	Material
1	05-029831	Cabinet 500mm MS1-10/AMM50-10	-
2	69-500280	Border label MS1-10	-
3	15-000071	Bulkhead Union air ø8	Plastic
4	15-000061	Air fitting 8x8 elbow	Plastic
5	03-705101	Base model MS1-10 / AMM50-10 1x120V 50/60Hz NPT	-
6	03-705115	Control assembly MS1-10 1x120V 60Hz	-
7	03-705165	Injector system MS1/MS1-10	-
10	03-705065	MS1/MS1-10 function: F F	-
11	03-705170	MS1/MS1-10 Sep. D	-

MS1-10 F F + F - 120V



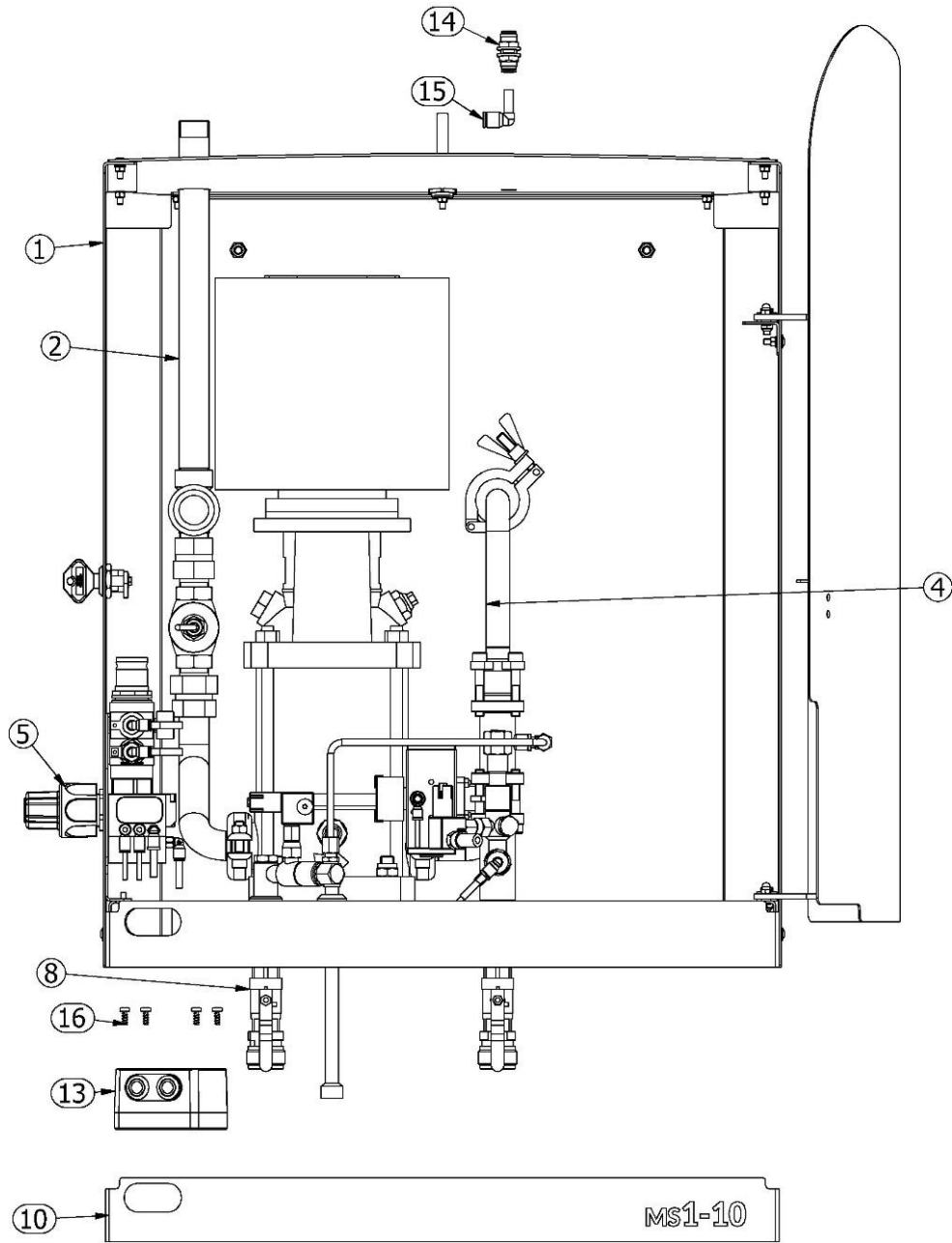
Item	Part Number	Description	Material
1	05-029831	Cabinet 500mm MS1-10/AMM50-10	-
2	69-500280	Border label MS1-10	-
3	15-000071	Bulkhead Union air ø8	Plastic
4	15-000061	Air fitting 8x8 elbow	Plastic
5	03-705101	Base model MS1-10 / AMM50-10 1x120V 50/60Hz NPT	-
6	03-705115	Control assembly MS1-10 1x120V 60Hz	-
7	03-705165	Injector system MS1/MSC1-10	-
10	03-705065	MS1/MSC1 -10 function: F F	-
12	03-705175	MS1/MSC1-10 Sep. F	-

MS1-10 F - 230V



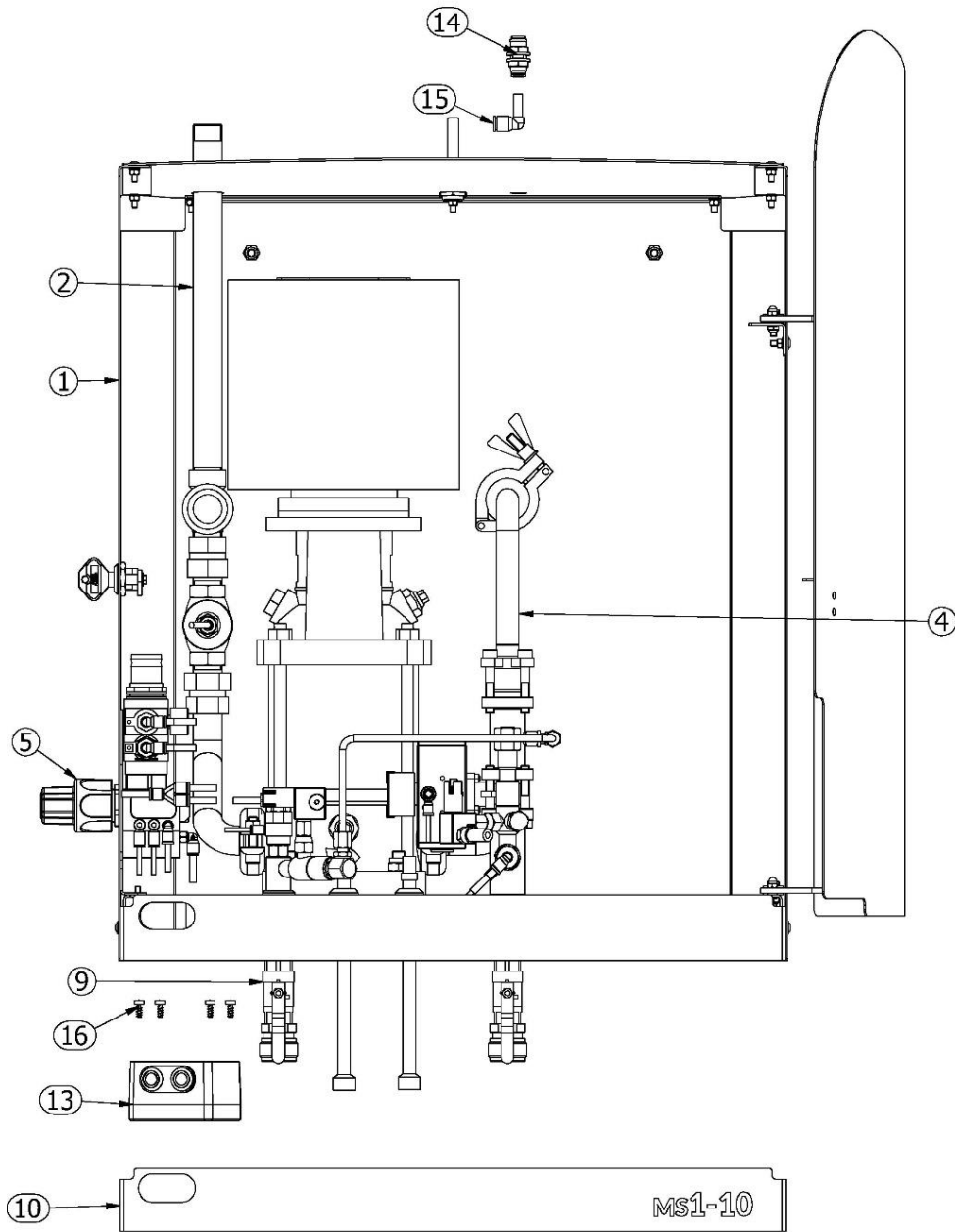
Item	Part Number	Description	Material
1	05-029831	Cabinet 500mm MS1-10/AMM50-10	-
2	03-705110	Base model MS1/MSC1-10 AMM50-10 1x230V BSP	-
4	03-705165	Injector system MS1/MSC1-10	-
5	03-705055	MS1/MSC1-10 function: F	-
10	69-500280	Border label MS1-10	-
13	36-800015	On/off buttons G5	-
14	15-000071	Bulkhead Union air ø8	Plastic
15	15-000061	Air fitting 8x8 elbow	Plastic
16	08-104015	Screw for plastic 5x12	A2

MS1-10 F + D - 230V



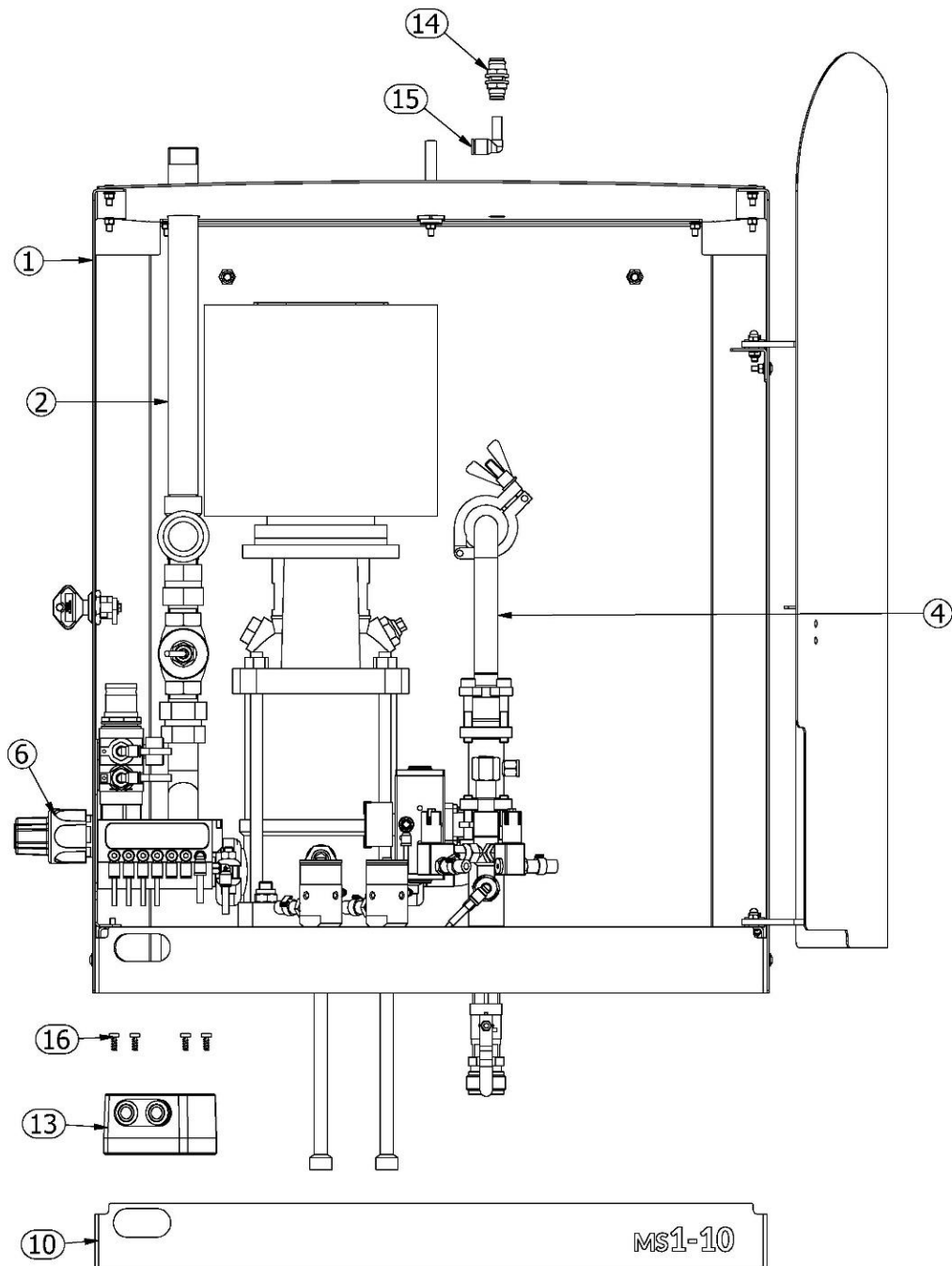
Item	Part Number	Description	Material
1	05-029831	Cabinet 500mm MS1-10/AMM50-10	-
2	03-705110	Base model MS1/MSC1-10 AMM50-10 1x230V BSP	-
4	03-705165	Injector system MS1/MSC1-10	-
5	03-705055	MS1/MSC1-10 function: F	-
8	03-705170	MS1/MSC1-10 Sep. D	-
10	69-500280	Border label MS1-10	-
13	36-800015	On/off buttons G5	-
14	15-000071	Bulkhead Union air ø8	Plastic
15	15-000061	Air fitting 8x8 elbow	Plastic
16	08-104015	Screw for plastic 5x12	A2

MS1-10 F + F - 230V



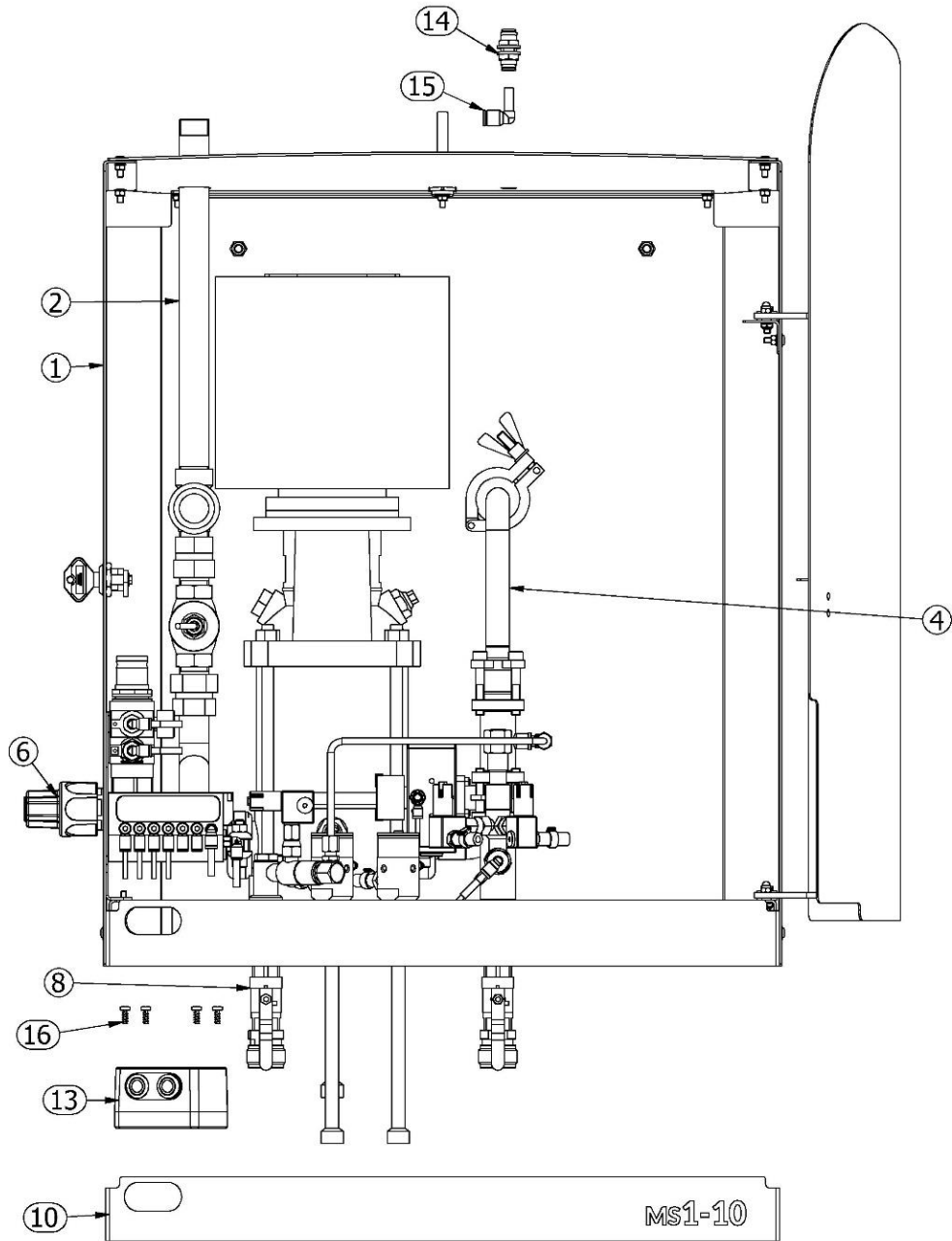
Item	Part Number	Description	Material
1	05-029831	Cabinet 500mm MS1-10/AMM50-10	-
2	03-705110	Base model MS1/MSC1-10 AMM50-10 1x230V BSP	-
4	03-705165	Injector system MS1/MSC1-10	-
5	03-705055	MS1/MSC1-10 function: F	-
9	03-705175	MS1/MSC1-10 Sep. F	-
10	69-500280	Border label MS1-10	-
13	36-800015	On/off buttons G5	-
14	15-000071	Bulkhead Union air ø8	Plastic
15	15-000061	Air fitting 8x8 elbow	Plastic
16	08-104015	Screw for plastic 5x12	A2

MS1-10 F D - 230V



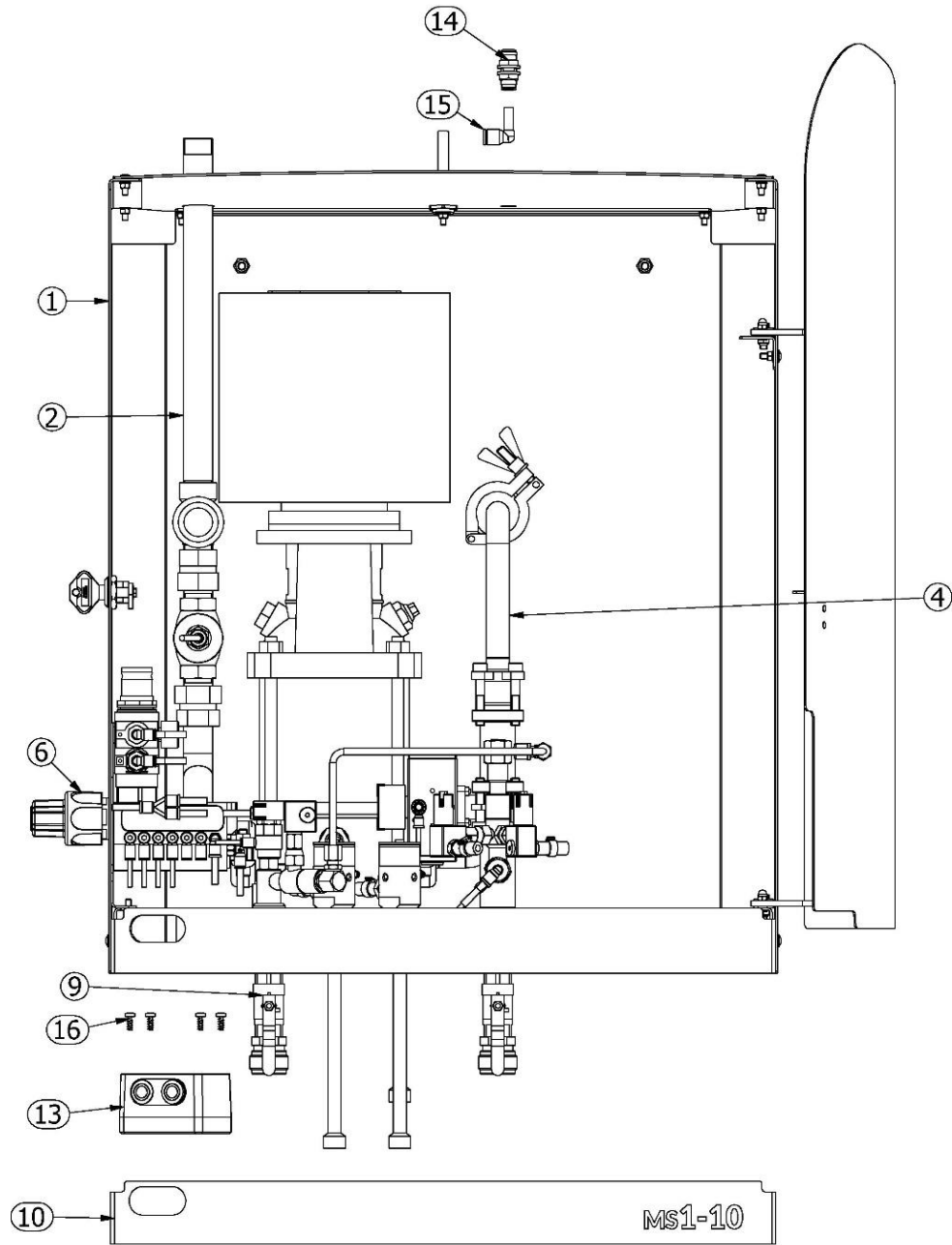
Item	Part Number	Description	Material
1	05-029831	Cabinet 500mm MS1-10/AMM50-10	-
2	03-705110	Base model MS1/MSC1-10 AMM50-10 1x230V BSP	-
4	03-705165	Injector system MS1/MSC1-10	-
6	03-705060	MS1/MSC1 -10 function: F D	-
10	69-500280	Border label MS1-10	-
13	36-800015	On/off buttons G5	-
14	15-000071	Bulkhead Union air ø8	Plastic
15	15-000061	Air fitting 8x8 elbow	Plastic
16	08-104015	Screw for plastic 5x12	A2

MS1-10 F D + D - 230V



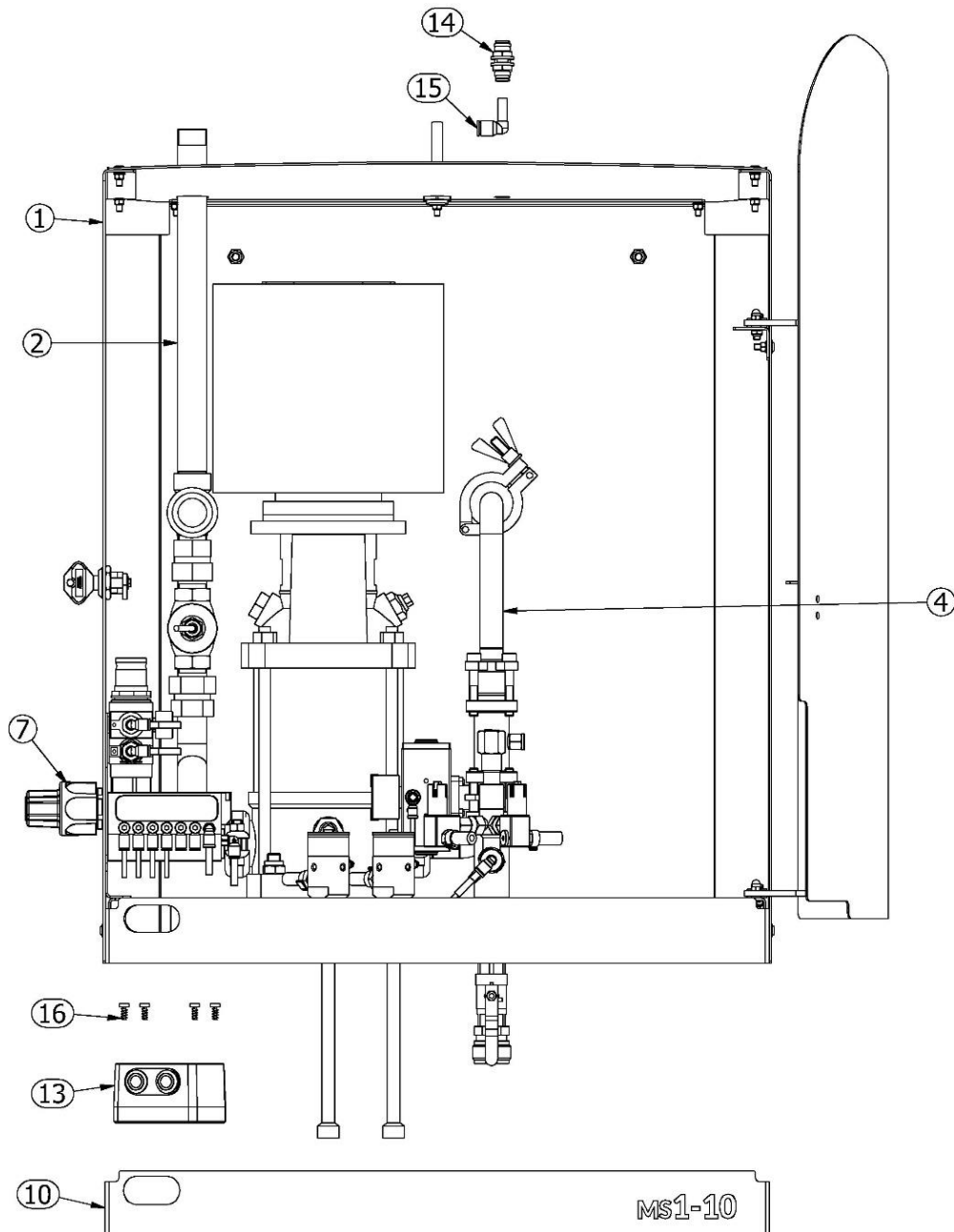
Item	Part Number	Description	Material
1	05-029831	Cabinet 500mm MS1-10/AMM50-10	-
2	03-705110	Base model MS1/MSC1-10 AMM50-10 1x230V BSP	-
4	03-705165	Injector system MS1/MSC1-10	-
6	03-705060	MS1/MSC1 -10 function: F D	-
8	03-705170	MS1/MSC1-10 Sep. D	-
10	69-500280	Border label MS1-10	-
13	36-800015	On/off buttons G5	-
14	15-000071	Bulkhead Union air ø8	Plastic
15	15-000061	Air fitting 8x8 elbow	Plastic
16	08-104015	Screw for plastic 5x12	A2

MS1-10 F D + F - 230V



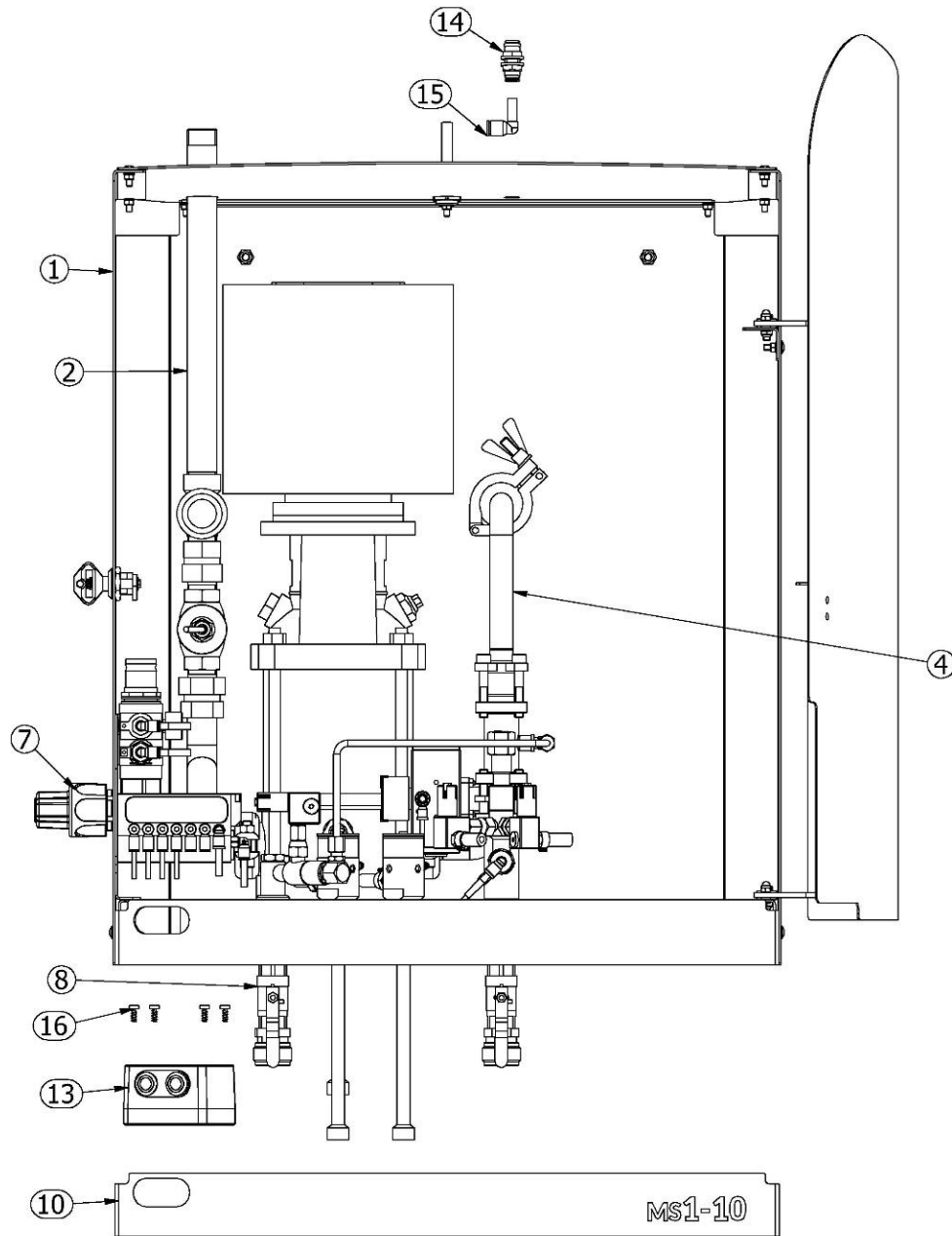
Item	Part Number	Description	Material
1	05-029831	Cabinet 500mm MS1-10/AMM50-10	-
2	03-705110	Base model MS1/MSC1-10 AMM50-10 1x230V BSP	-
4	03-705165	Injector system MS1/MSC1-10	-
6	03-705060	MS1/MSC1 -10 function: F D	-
9	03-705175	MS1/MSC1-10 Sep. F	-
10	69-500280	Border label MS1-10	-
13	36-800015	On/off buttons G5	-
14	15-000071	Bulkhead Union air ø8	Plastic
15	15-000061	Air fitting 8x8 elbow	Plastic
16	08-104015	Screw for plastic 5x12	A2

MS1-10 F F - 230V



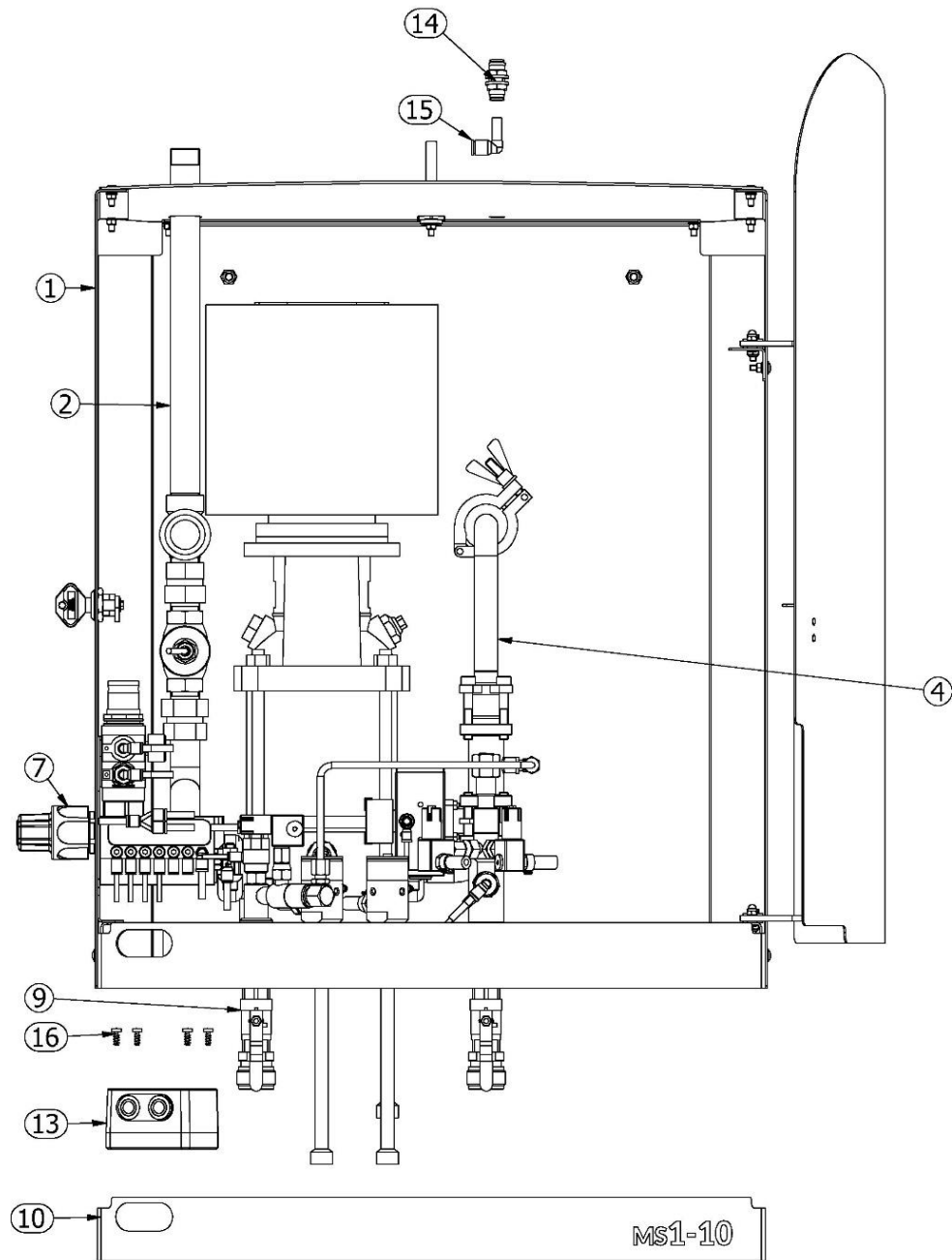
Item	Part Number	Description	Material
1	05-029831	Cabinet 500mm MS1-10/AMM50-10	-
2	03-705110	Base model MS1/MSC1-10 AMM50-10 1x230V BSP	-
4	03-705165	Injector system MS1/MSC1-10	-
7	03-705065	MS1/MSC1 -10 function: F F	-
10	69-500280	Border label MS1-10	-
13	36-800015	On/off buttons G5	-
14	15-000071	Bulkhead Union air ø8	Plastic
15	15-000061	Air fitting 8x8 elbow	Plastic
16	08-104015	Screw for plastic 5x12	A2

MS1-10 F F + D - 230V



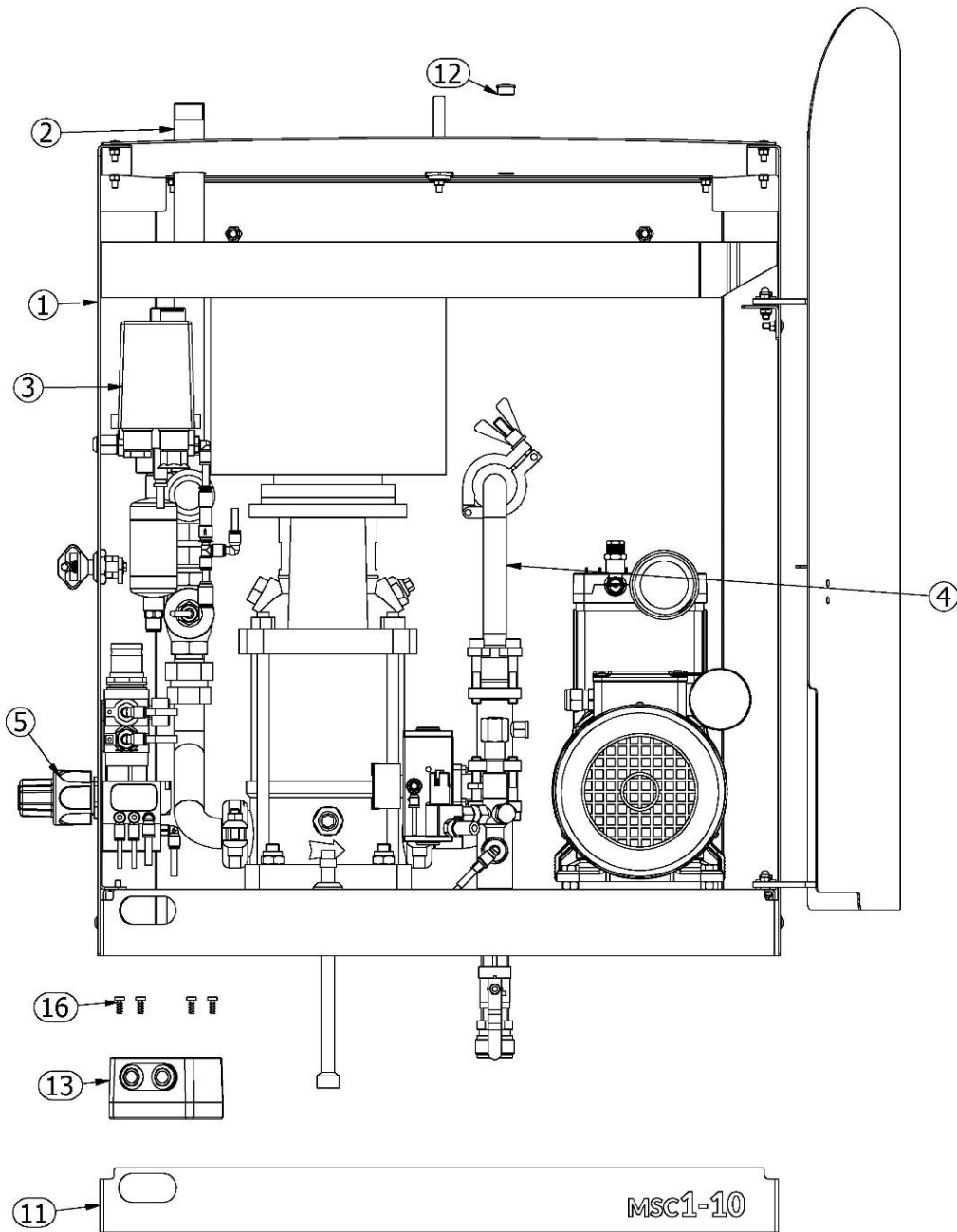
Item	Part Number	Description	Material
1	05-029831	Cabinet 500mm MS1-10/AMM50-10	-
2	03-705110	Base model MS1/MSC1-10 AMM50-10 1x230V BSP	-
4	03-705165	Injector system MS1/MSC1-10	-
7	03-705065	MS1/MSC1 -10 function: F F	-
8	03-705170	MS1/MSC1-10 Sep. D	-
10	69-500280	Border label MS1-10	-
13	36-800015	On/off buttons G5	-
14	15-000071	Bulkhead Union air ø8	Plastic
15	15-000061	Air fitting 8x8 elbow	Plastic
16	08-104015	Screw for plastic 5x12	A2

MS1-10 F F + F - 230V



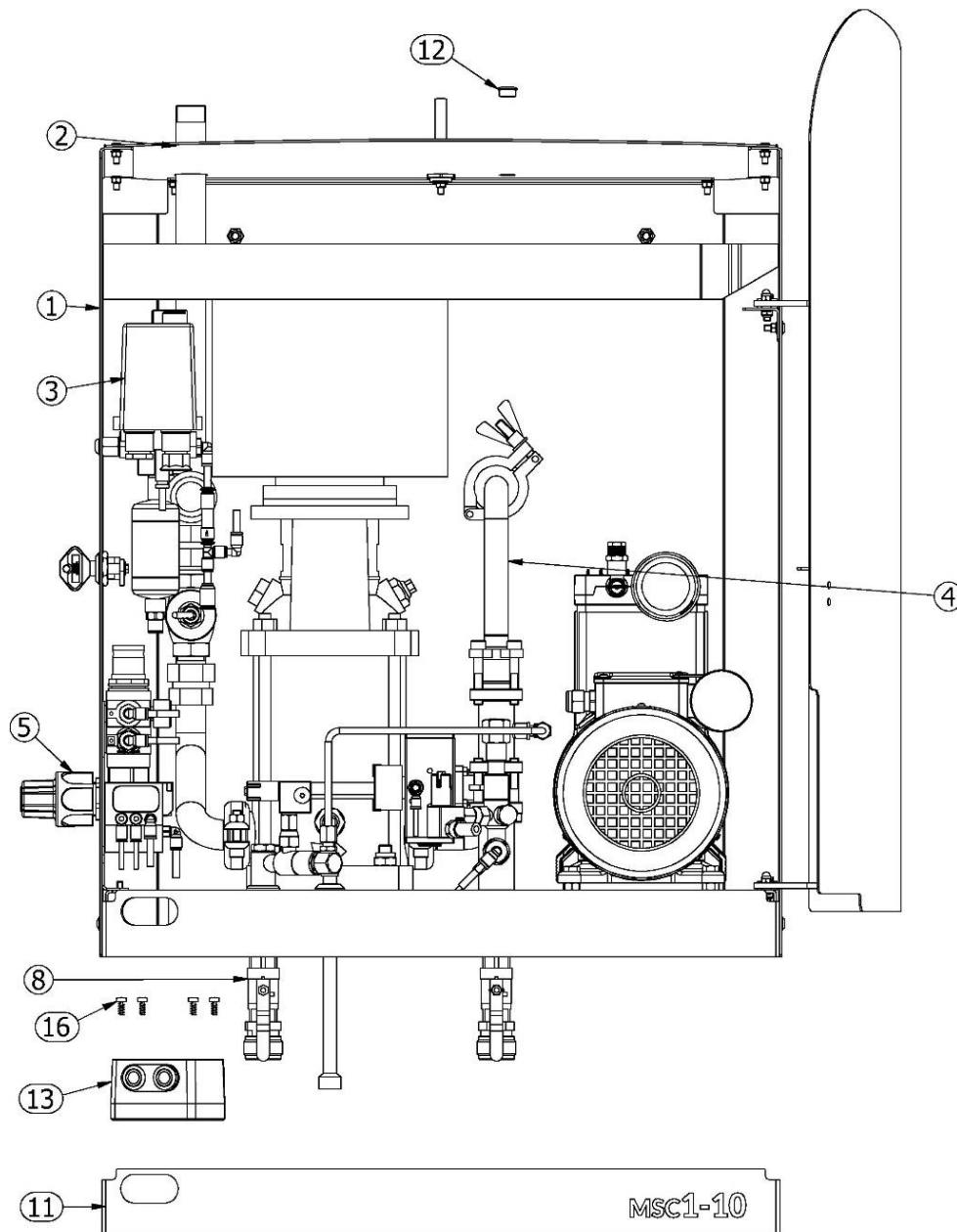
Item	Part Number	Description	Material
1	05-029831	Cabinet 500mm MS1-10/AMM50-10	-
2	03-705110	Base model MS1/MSC1-10 AMM50-10 1x230V BSP	-
4	03-705165	Injector system MS1/MSC1-10	-
7	03-705065	MS1/MSC1 -10 function: F F	-
9	03-705175	MS1/MSC1-10 Sep. F	-
10	69-500280	Border label MS1-10	-
13	36-800015	On/off buttons G5	-
14	15-000071	Bulkhead Union air ø8	Plastic
15	15-000061	Air fitting 8x8 elbow	Plastic
16	08-104015	Screw for plastic 5x12	A2

MSC1-10 F - 230V



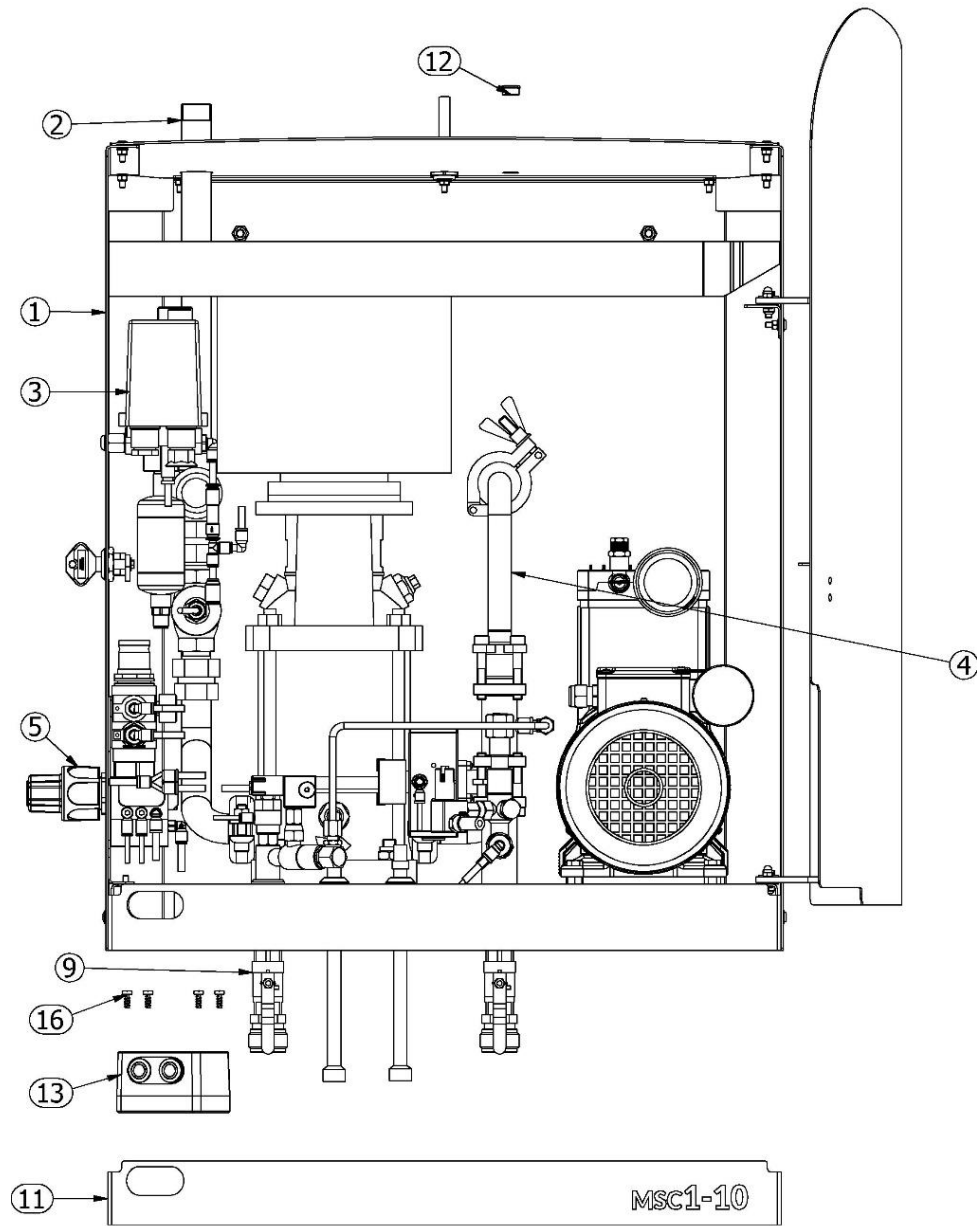
Item	Part Number	Description	Material
1	05-029831	Cabinet 500mm MS1-10/AMM50-10	-
2	03-705110	Base model MS1/MSC1-10 AMM50-10 1x230V BSP	-
3	03-705150	Compressor assembly MSC1-10 1x230V 50Hz	-
4	03-705165	Injector system MS1/MSC1-10	-
5	03-705055	MS1/MSC1-10 function: F	-
11	69-500290	Border label MSC1-10	-
12	04-000012	Blind plug ø15 black	Polyethylene
13	36-800015	On/off buttons G5	-
16	08-104015	Screw for plastic 5x12	A2

MSC1-10 F + D - 230V



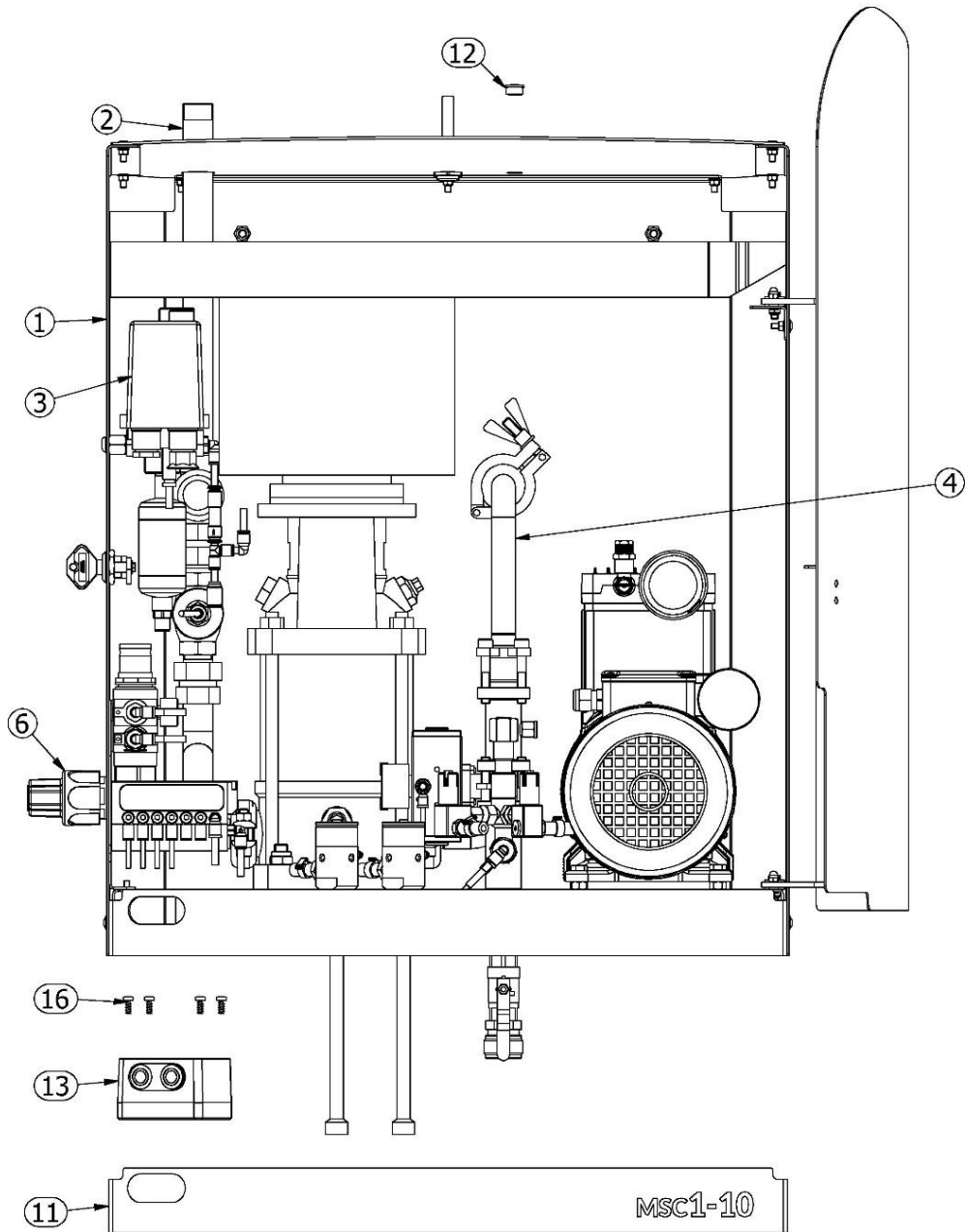
Item	Part Number	Description	Material
1	05-029831	Cabinet 500mm MS1-10/AMM50-10	-
2	03-705110	Base model MS1/MSC1-10 AMM50-10 1x230V BSP	-
3	03-705150	Compressor assembly MSC1-10 1x230V 50Hz	-
4	03-705165	Injector system MS1/MSC1-10	-
5	03-705055	MS1/MSC1-10 function: F	-
8	03-705170	MS1/MSC1-10 Sep. D	-
11	69-500290	Border label MSC1-10	-
12	04-000012	Blind plug ø15 black	Polyethylene
13	36-800015	On/off buttons G5	-
16	08-104015	Screw for plastic 5x12	A2

MSC1-10 F + F - 230V



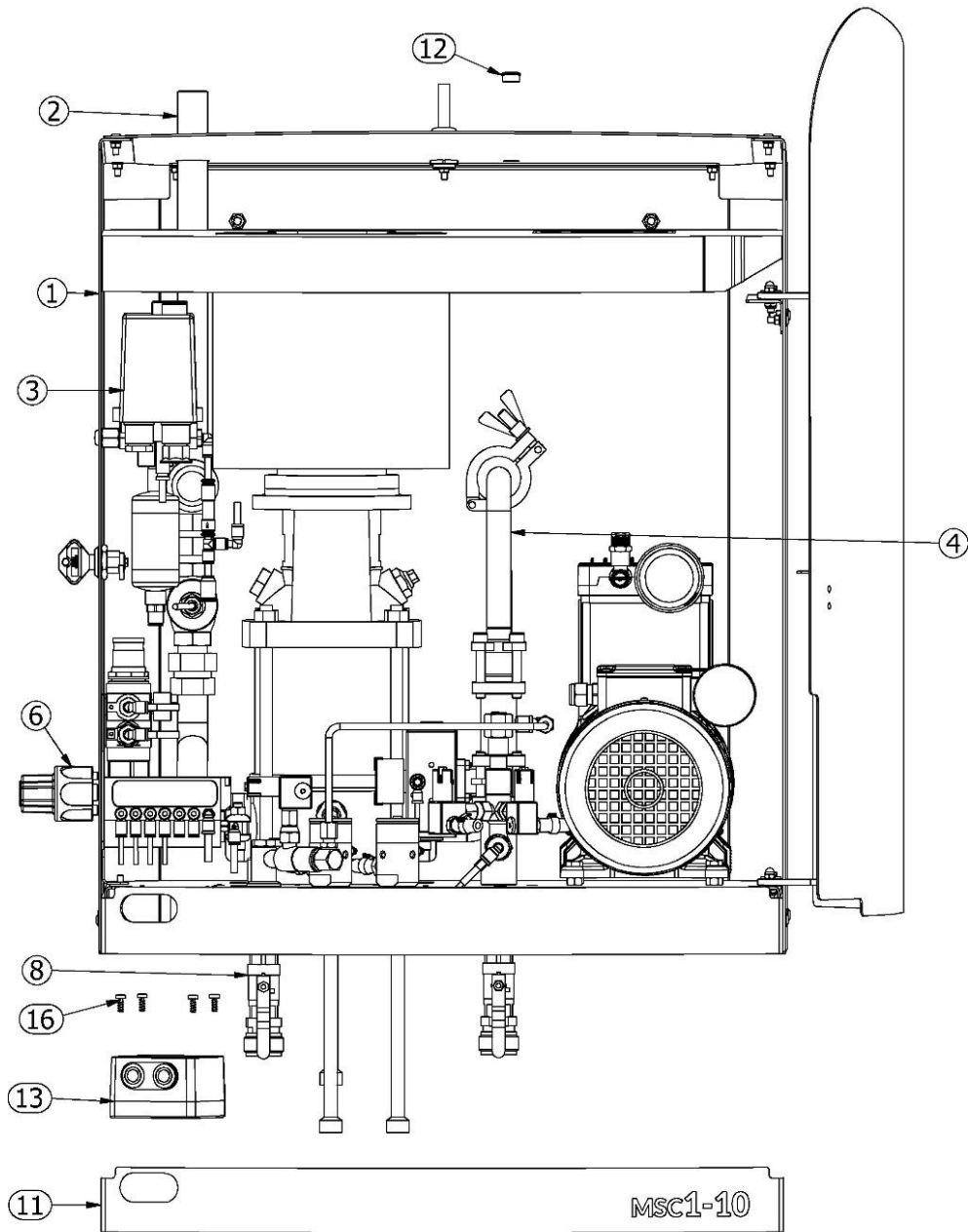
Item	Part Number	Description	Material
1	05-029831	Cabinet 500mm MS1-10/AMM50-10	-
2	03-705110	Base model MS1/MSC1-10 AMM50-10 1x230V BSP	-
3	03-705150	Compressor assembly MSC1-10 1x230V 50Hz	-
4	03-705165	Injector system MS1/MSC1-10	-
5	03-705055	MS1/MSC1-10 function: F	-
9	03-705175	MS1/MSC1-10 Sep. F	-
11	69-500290	Border label MSC1-10	-
12	04-000012	Blind plug ø15 black	Polyethylene
13	36-800015	On/off buttons G5	-
16	08-104015	Screw for plastic 5x12	A2

MSC1-10 F D - 230V



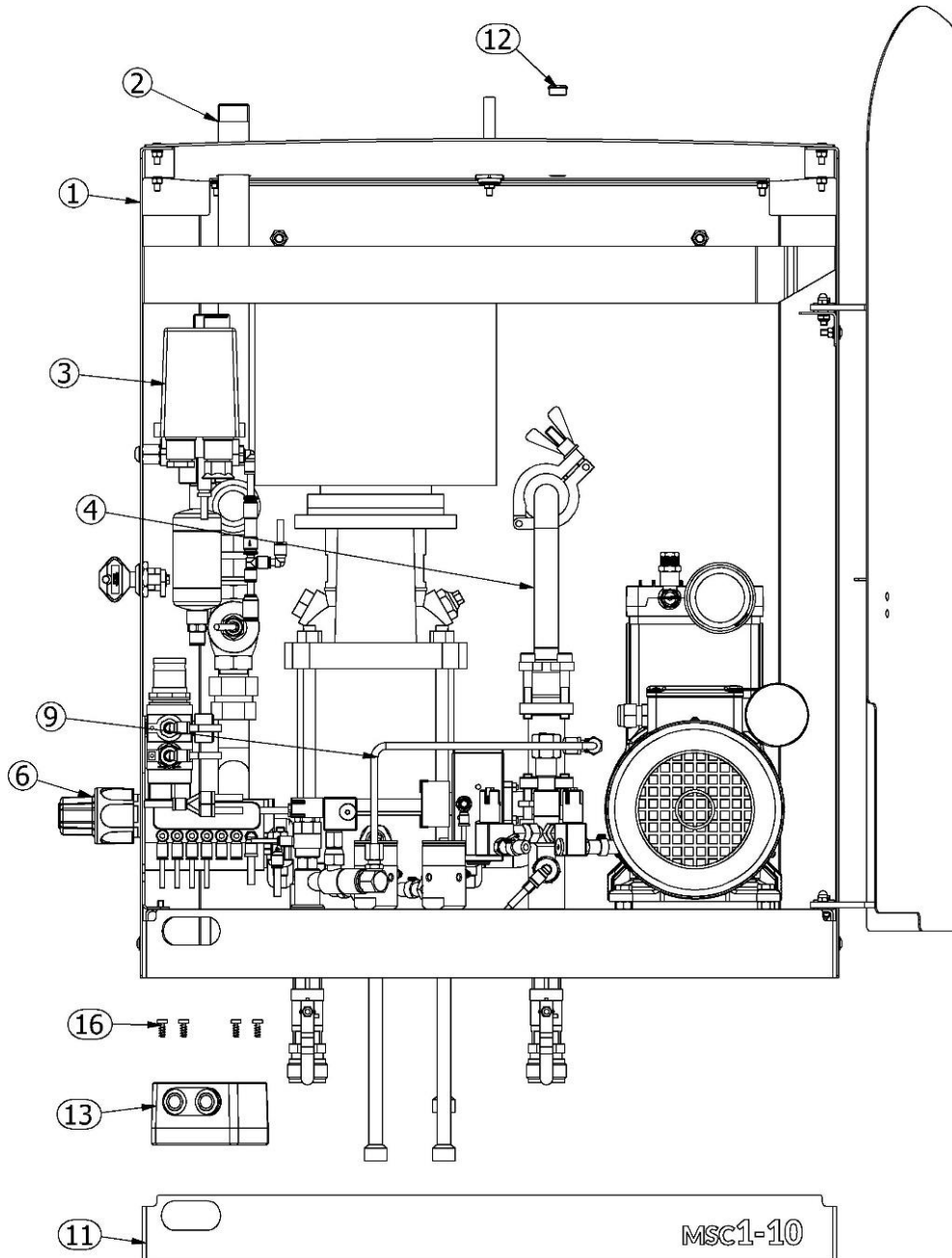
Item	Part Number	Description	Material
1	05-029831	Cabinet 500mm MS1-10/AMM50-10	-
2	03-705110	Base model MS1/MSC1-10 AMM50-10 1x230V BSP	-
3	03-705150	Compressor assembly MSC1-10 1x230V 50Hz	-
4	03-705165	Injector system MS1/MSC1-10	-
6	03-705060	MS1/MSC1 -10 function: F D	-
11	69-500290	Border label MSC1-10	-
12	04-000012	Blind plug ø15 black	Polyethylene
13	36-800015	On/off buttons G5	-
16	08-104015	Screw for plastic 5x12	A2

MSC1-10 F D + D - 230V



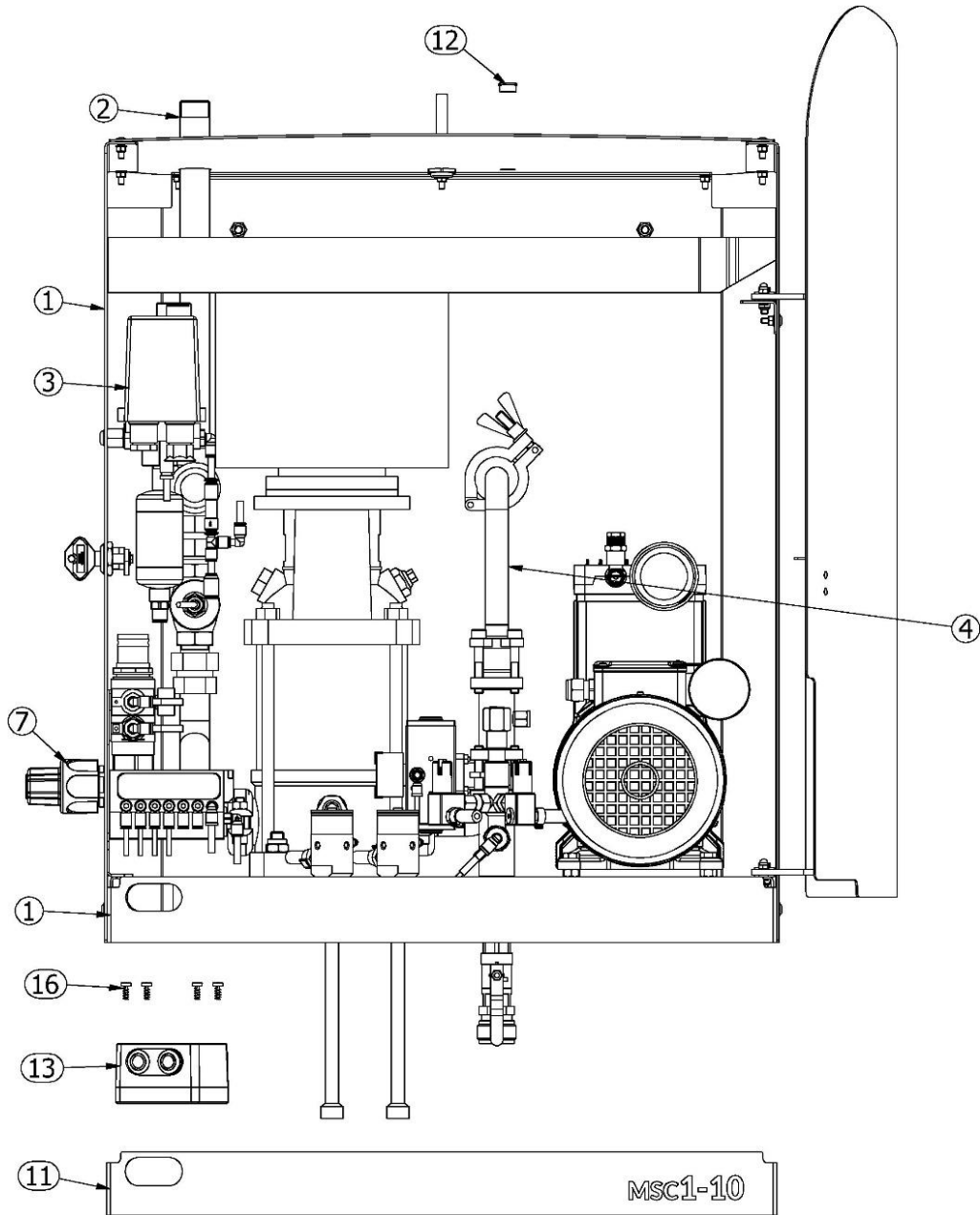
Item	Part Number	Description	Material
1	05-029831	Cabinet 500mm MS1-10/AMM50-10	-
2	03-705110	Base model MS1/MSC1-10 AMM50-10 1x230V BSP	-
3	03-705150	Compressor assembly MSC1-10 1x230V 50Hz	-
4	03-705165	Injector system MS1/MSC1-10	-
6	03-705060	MS1/MSC1 -10 function: F D	-
8	03-705170	MS1/MSC1-10 Sep. D	-
11	69-500290	Border label MSC1-10	-
12	04-000012	Blind plug ø15 black	Polyethylene
13	36-800015	On/off buttons G5	-
16	08-104015	Screw for plastic 5x12	A2

MSC1-10 F D + F - 230V



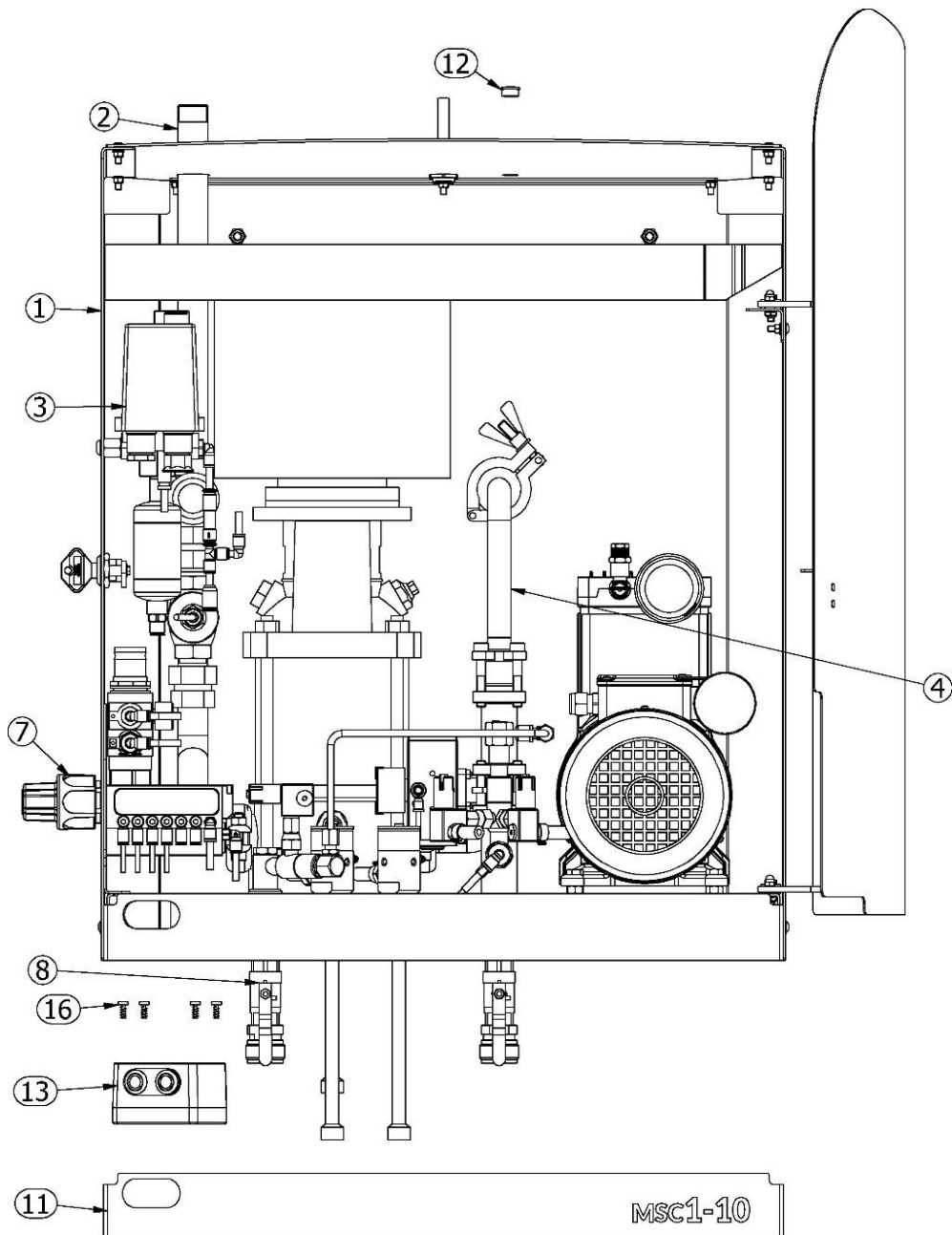
Item	Part Number	Description	Material
1	05-029831	Cabinet 500mm MS1-10/AMM50-10	-
2	03-705110	Base model MS1/MSC1-10 AMM50-10 1x230V BSP	-
3	03-705150	Compressor assembly MSC1-10 1x230V 50Hz	-
4	03-705165	Injector system MS1/MSC1-10	-
6	03-705060	MS1/MSC1 -10 function: F D	-
9	03-705175	MS1/MSC1-10 Sep. F	-
11	69-500290	Border label MSC1-10	-
12	04-000012	Blind plug ø15 black	Polyethylene
13	36-800015	On/off buttons G5	-
16	08-104015	Screw for plastic 5x12	A2

MSC1-10 F F - 230V



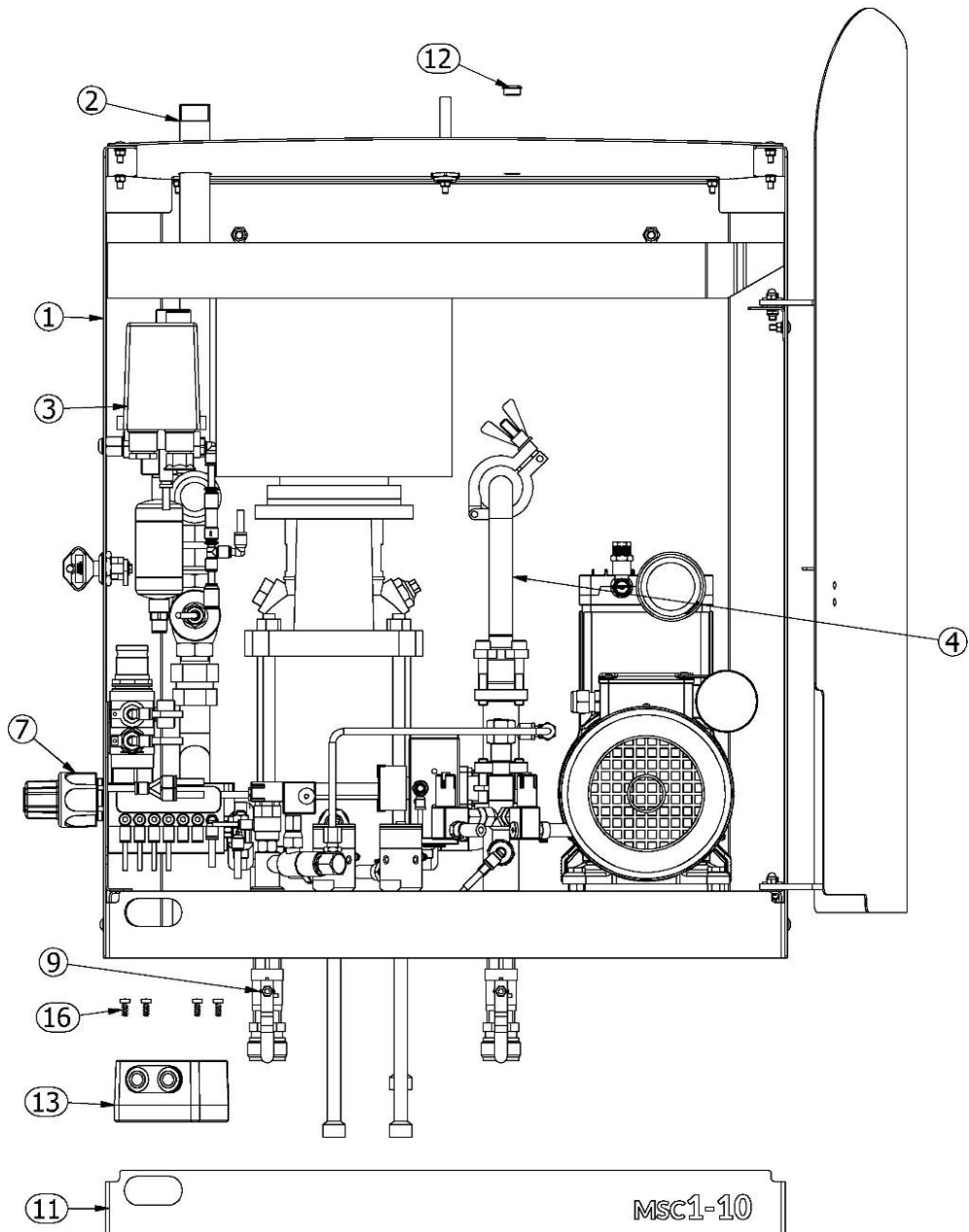
Item	Part Number	Description	Material
1	05-029831	Cabinet 500mm MS1-10/AMM50-10	-
2	03-705110	Base model MS1/MSC1-10 AMM50-10 1x230V BSP	-
3	03-705150	Compressor assembly MSC1-10 1x230V 50Hz	-
4	03-705165	Injector system MS1/MSC1-10	-
7	03-705065	MS1/MSC1 -10 function: F F	-
11	69-500290	Border label MSC1-10	-
12	04-000012	Blind plug ø15 black	Polyethylene
13	36-800015	On/off buttons G5	-
16	08-104015	Screw for plastic 5x12	A2

MSC1-10 F F + D - 230V

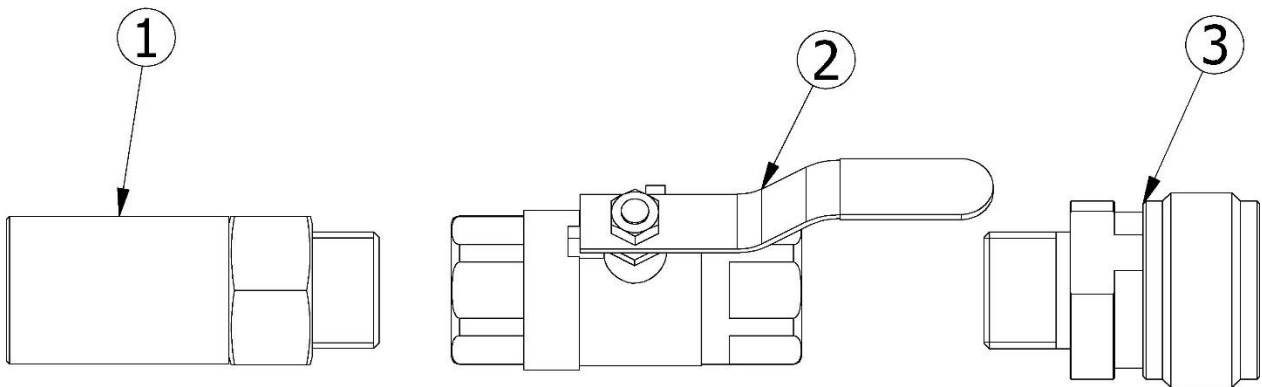


Item	Part Number	Description	Material
1	05-029831	Cabinet 500mm MS1-10/AMM50-10	-
2	03-705110	Base model MS1/MSC1-10 AMM50-10 1x230V BSP	-
3	03-705150	Compressor assembly MSC1-10 1x230V 50Hz	-
4	03-705165	Injector system MS1/MSC1-10	-
7	03-705065	MS1/MSC1 -10 function: F F	-
8	03-705170	MS1/MSC1-10 Sep. D	-
11	69-500290	Border label MSC1-10	-
12	04-000012	Blind plug ø15 black	Polyethylene
13	36-800015	On/off buttons G5	-
16	08-104015	Screw for plastic 5x12	A2

MSC1-10 F F + F - 230V

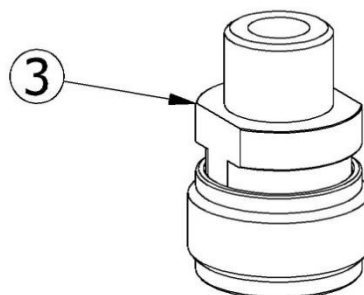
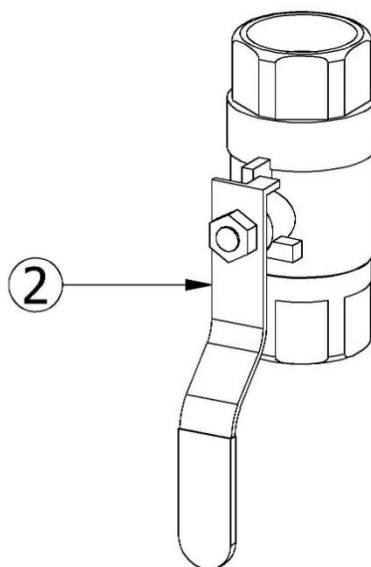
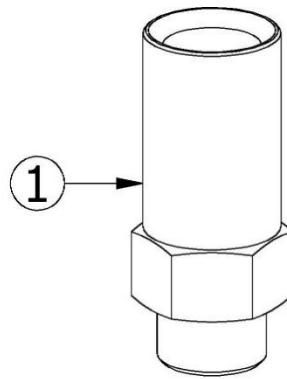


Item	Part Number	Description	Material
1	05-029831	Cabinet 500mm MS1-10/AMM50-10	-
2	03-705110	Base model MS1/MS1-10 AMM50-10 1x230V BSP	-
3	03-705150	Compressor assembly MSC1-10 1x230V 50Hz	-
4	03-705165	Injector system MS1/MS1-10	-
7	03-705065	MS1/MS1-10 function: F F	-
9	03-705175	MS1/MS1-10 Sep. F	-
11	69-500290	Border label MSC1-10	-
12	04-000012	Blind plug ø15 black	Polyethylene
13	36-800015	On/off buttons G5	-
16	08-104015	Screw for plastic 5x12	A2

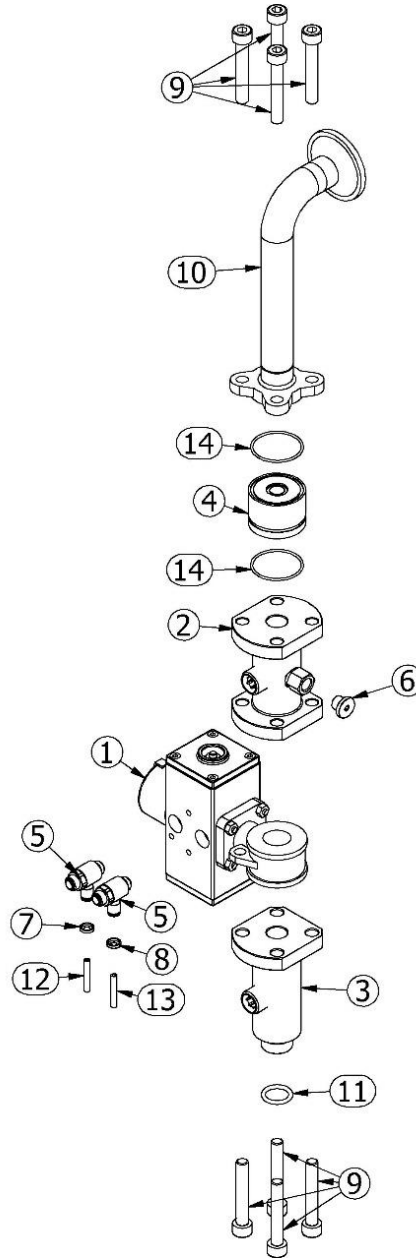


Item	Part Number	Description	Material
1	16-800070	Outlet nipple 1/2"x67 E/I	AISI 316
2	20-000220	Ball valve 1/2" (blue)	AISI 316
3	30-000050	Outlet coupling 1/2"	Special stainless

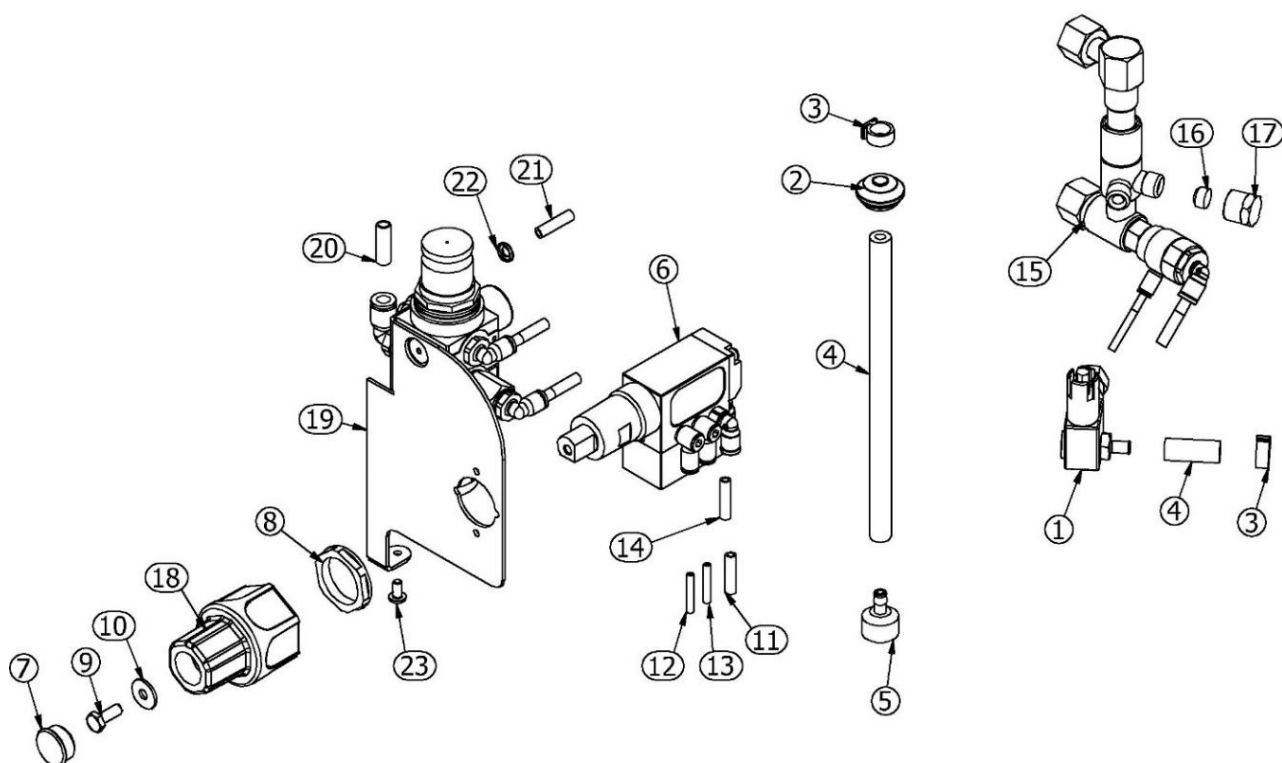
02-020226



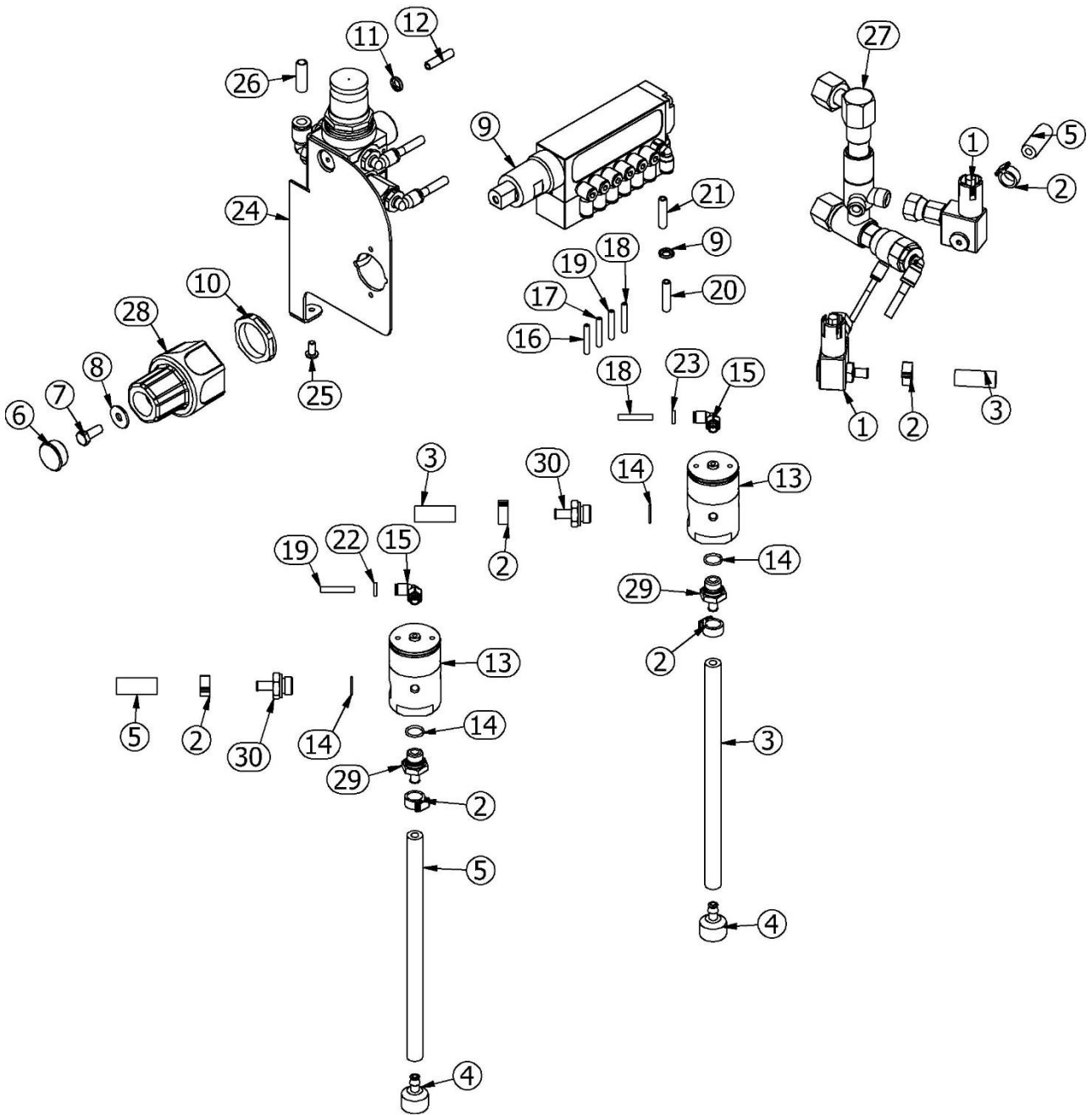
Item	Part Number	Description	Material
1	16-800070	Outlet nipple 1/2"x67 E/I	AISI 316
2	20-000221	Ball valve 1/2" (Yellow)	AISI 316
3	30-000050	Outlet coupling 1/2"	Special stainless



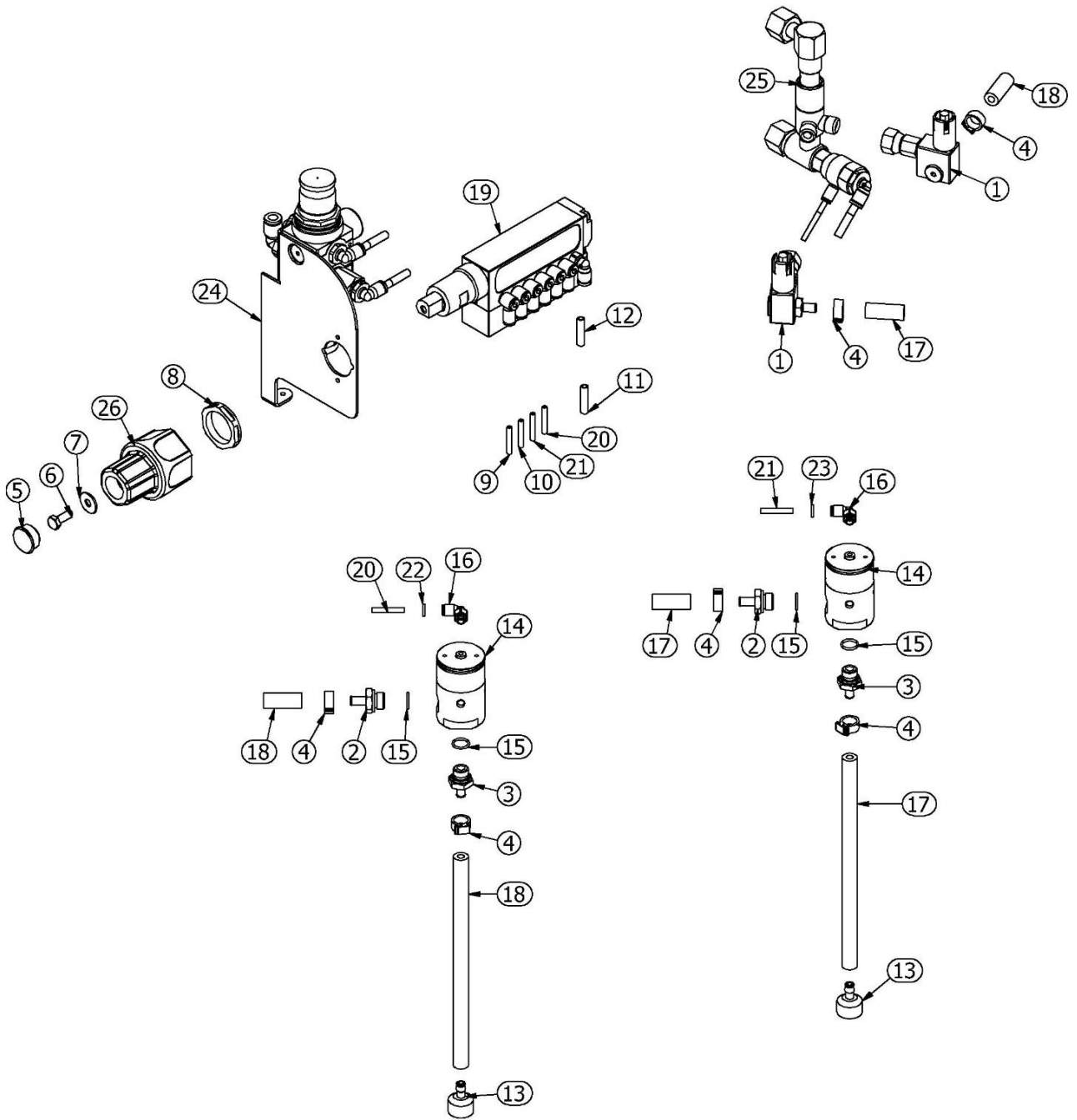
Item	Part Number	Description	Material
1	20-000283	Ball valve 1/2" with actuator	-
2	25-100420	Intermediate pipe 1/2"	AISI 316
3	25-200350	Outlet pipe 1/2"	AISI 316
4	20-200410	Non-return valve 1/2"	AISI 304/NBR
5	15-020050	Air fitting Elbow with throttle 1/8"x4	Plastic/Brass
6	16-501802	Plug 1/8"	AISI 316
7	15-090402	Color ring 4mm green	Plastic
8	15-090406	Color ring 4mm grey	Plastic
9	08-800807	Cheese-head screw M8x50	A2
10	25-000597	Inlet pipe 3/4" MS1-10	AISI 304
11	17-000083	O-ring 15,54x2,62	NBR
12	55-110150	Air hose ø4mm green	PA12
13	55-110170	Air hose ø4mm grey	PA12
14	17-030129	O-ring 32x1,5 Viton 75 sh	Viton



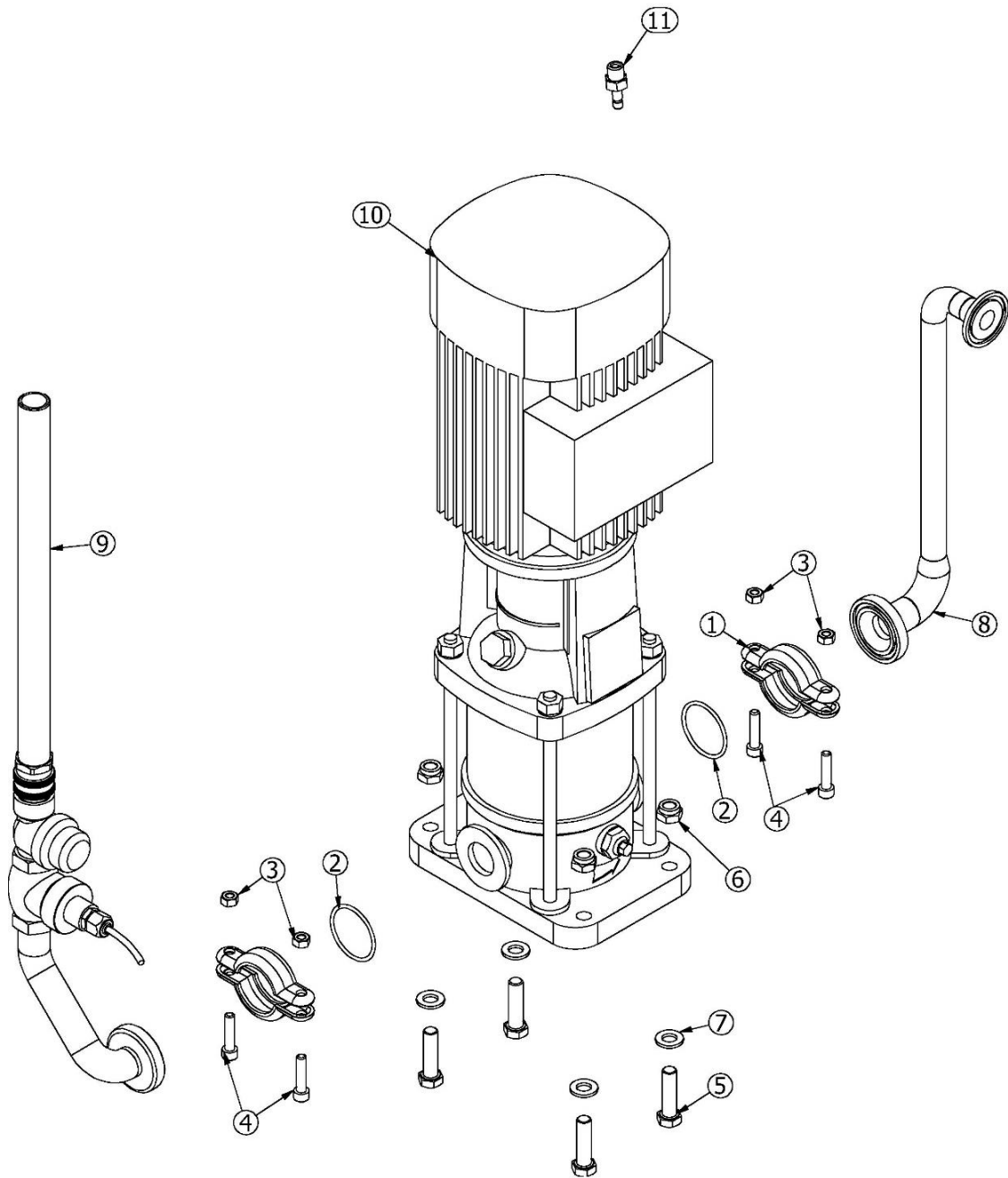
Item	Part Number	Description	Material
1	20-400056	Dosing valve concentrated	AISI 316/Viton
2	04-000082	Diaphragm nipple	EPDM
3	15-300012	Hose clip for 1/4"	PVC
4	55-200020	Suction hose 1/4" white, m	PVC
5	27-300040	Suction filter ø6,5	AISI 316
6	20-301400	Selector switch F	-
7	010-200200	Plastic plug ø23xø20mm	Nylon
8	20-300000-02	Panel nut function selector	Plastic
9	08-200606	Set screw M6x16	A2
10	08-300602	Disc washer ø6	A2
11	55-110060	Air hose ø6mm red, m	PA12
12	55-110150	Air hose ø4mm green	PA12
13	55-110170	Air hose ø4mm grey	PA12
14	55-110040	Air hose ø6mm black	PA12
15	05-040105	Injector 2 connections with adapter	-
16	04-000232	Cone ø12 black	Plastic
17	15-901400	End cap 1/4"	Nickel-plated brass
18	20-304002	Handle, F	ABS
19	05-020000	Pneumatic assembly S4/MS G5	-
20	55-100040	Air hose 8mm black	PA12
21	55-100030	Air hose 6mm green	PA12
22	15-090606	Color ring 6mm green	Plastic
23	08-100501	Screw button head M5x10	A2



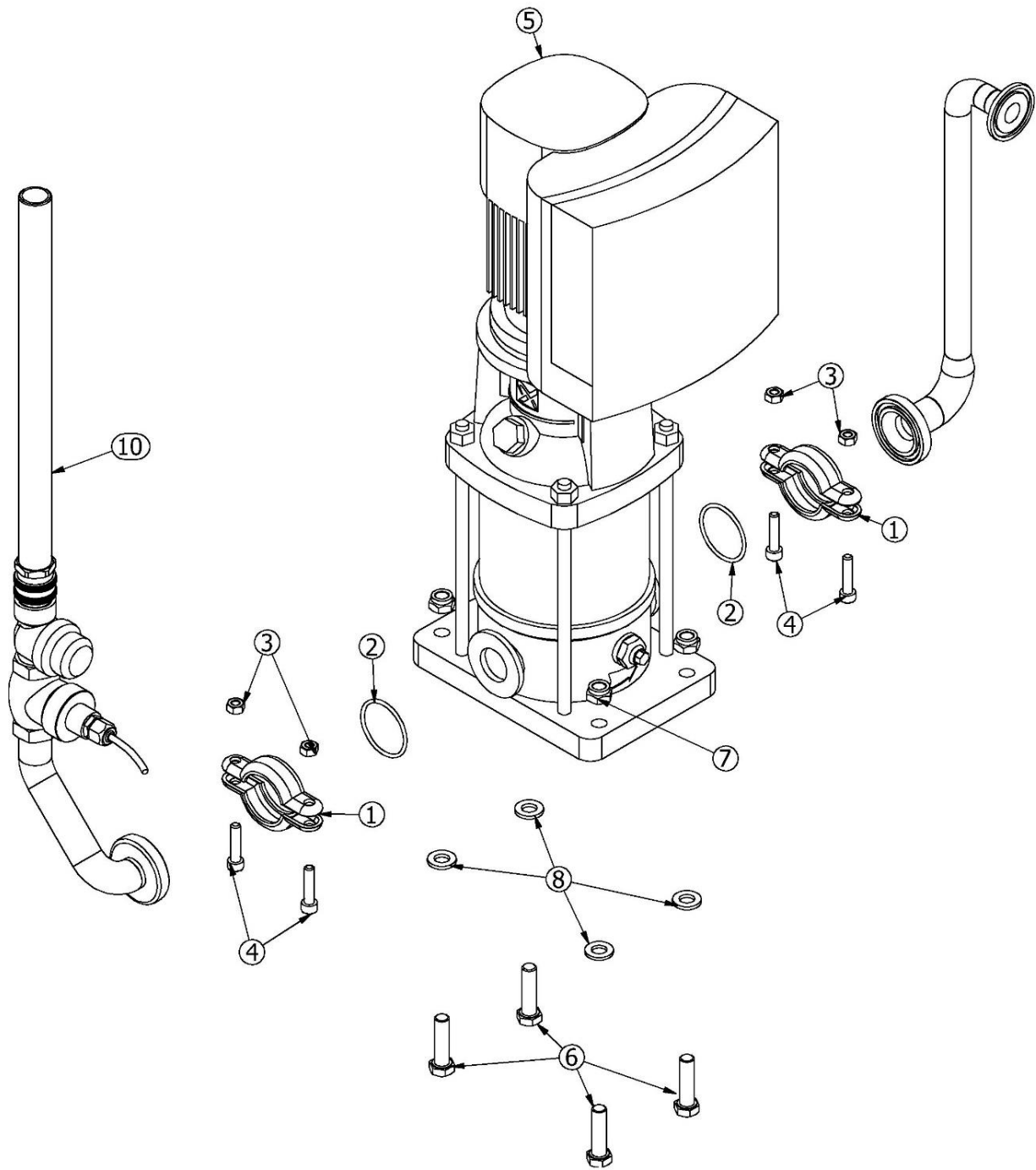
Item	Part Number	Description	Material
1	20-400056	Dosing valve concentrated	AISI 316/Viton
2	15-300012	Hose clip for 1/4"	PVC
3	55-200061	Suction hose 1/4" yellow	PVC
4	27-300040	Suction filter ø6,5	AISI 316
5	55-200020	Suction hose 1/4" white, m	PVC
6	010-200200	Plastic plug ø23xø20mm	Nylon
7	08-200606	Set screw M6x16	A2
8	08-300602	Disc washer ø6	A2
9	20-301410	Selector switch F D	-
10	20-300000-02	Panel nut function selector	Plastic
11	15-090606	Color ring 6mm green	Plastic
12	55-100030	Air hose 6mm green	PA12
13	20-000830	Chemical valve, pneumatic PTFE	-
14	17-030018	O-ring 11x1,5 Viton 70 sh	Viton
15	15-020081	Air fitting M7x4 elbow	Nickel-plated brass/Plastic
16	55-110150	Air hose ø4mm green	PA12
17	55-110170	Air hose ø4mm grey	PA12
18	55-110140	Air hose ø4mm yellow	PA12
19	55-110130	Air hose ø4mm white	PA12
20	55-110060	Air hose ø6mm red, m	PA12
21	55-110040	Air hose ø6mm black	PA12
22	15-090400	Color ring 4mm white	Plastic
23	15-090405	Color ring 4mm yellow	Plastic
24	05-020000	Pneumatic assembly S4/MS G5	-
25	08-100501	Screw button head M5x10	A2
26	55-100040	Air hose 8mm black	PA12
27	05-040105	Injector 2 connections with adapter	-
28	20-304003	Handle, F D	ABS
29	55-600015	Hose nipple M12x7,5	AISI 316
30	55-600016	Hose nipple 1/4"x7,5	AISI 316



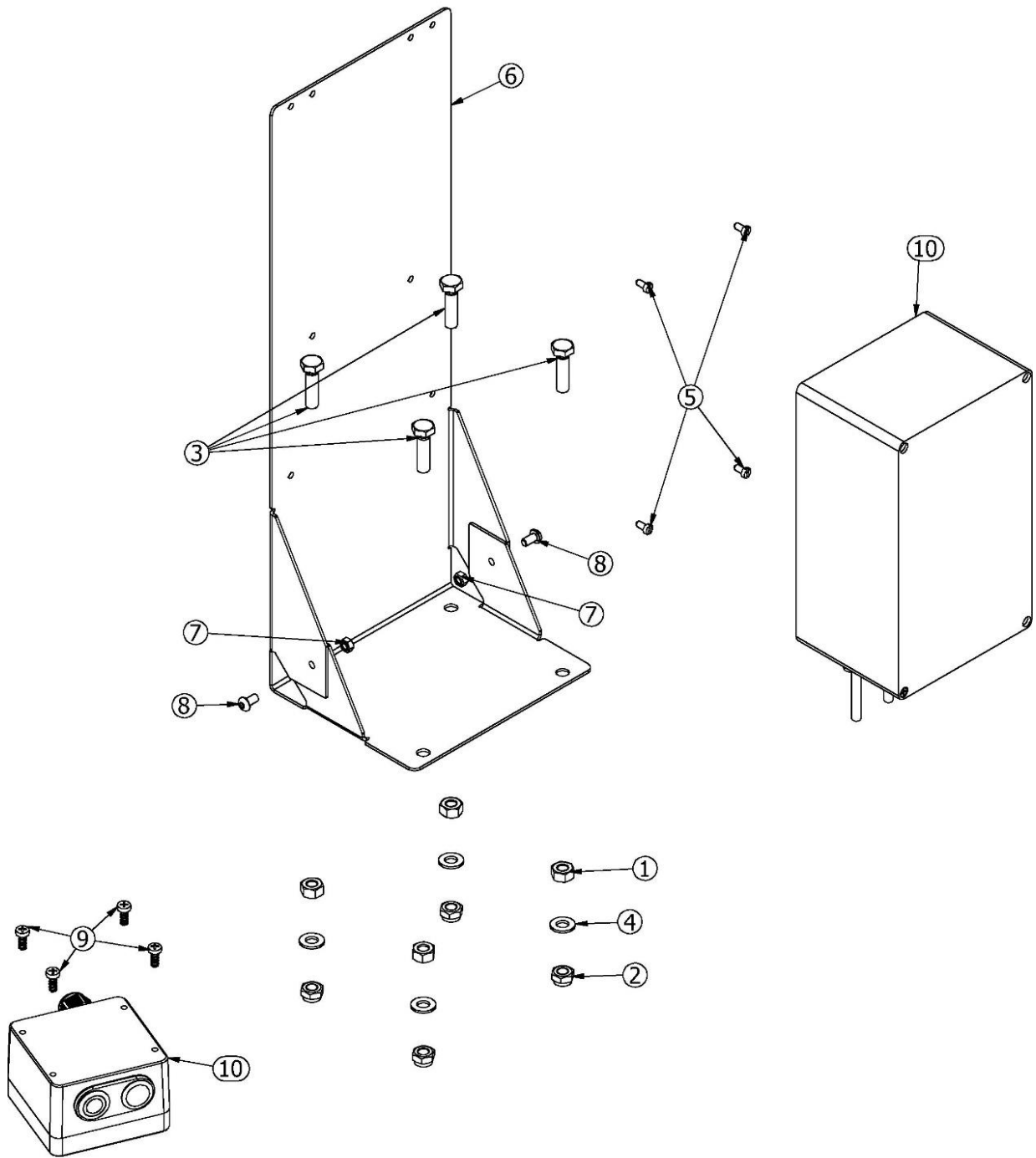
Item	Part Number	Description	Material
1	20-400056	Dosing valve concentrated	AISI 316/Viton
2	55-600016	Hose nipple 1/4"x7,5	AISI 316
3	55-600015	Hose nipple M12x7,5	AISI 316
4	15-300012	Hose clip for 1/4"	PVC
5	010-200200	Plastic plug ø23xø20mm	Nylon
6	08-200606	Set screw M6x16	A2
7	08-300602	Disc washer ø6	A2
8	20-300000-02	Panel nut function selector	Plastic
9	55-110150	Air hose ø4mm green	PA12
10	55-110170	Air hose ø4mm grey	PA12
11	55-110060	Air hose ø6mm red, m	PA12
12	55-110040	Air hose ø6mm black	PA12
13	27-300040	Suction filter ø6,5	AISI 316
14	20-000830	Chemical valve, pneumatic PTFE	-
15	17-030018	O-ring 11x1,5 Viton 70 sh	Viton
16	15-020081	Air fitting M7x4 elbow	Nickel-plated brass/Plastic
17	55-200041	Suction hose 12x6 blue, m	PVC
18	55-200051	Suction hose 1/4" red, m	PVC
19	20-301420	Selector switch F F	-
20	55-110110	Air hose ø4mm red	PA12
21	55-110120	Air hose ø4mm blue	PA12
22	15-090403	Color ring 4mm red	Plastic
23	15-090404	Color ring 4mm blue	Plastic
24	05-020000	Pneumatic assembly S4/MS G5	-
25	05-040105	Injector 2 connections with adapter	-
26	20-304004	Handle, F F	ABS



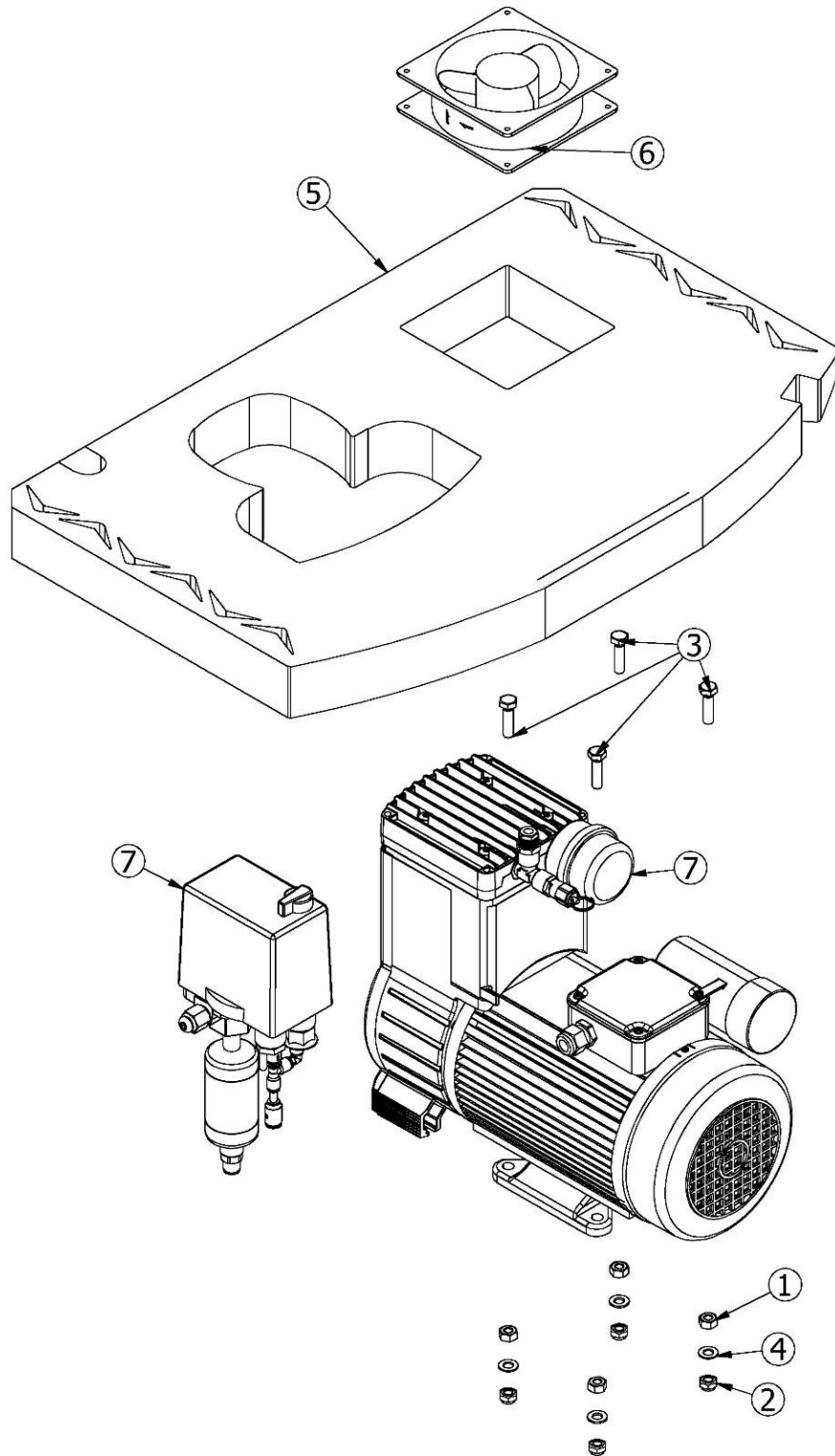
Item	Part Number	Description	Material
1	30-740483	Flexi clamps $\varnothing 48,3$	-
2	17-010010	O-ring 46x3	NBR
3	08-000801	Nut M8	A2
4	08-800835	Cheese-head screw M8x35	A2
5	08-201211	Set screw M12x45	A2
6	08-001201	Lock nut M12	A2
7	08-301202	Disc washer $\varnothing 12$	A2
8	25-250150	Outlet pipe MS1-10/AMM50-10	AISI 304
9	05-040098	Inlet pipe 3/4" NPT MS1-10/AMM50-10/AMM50-10 Vemag	-
10	31-308001	Pump CRN 3-8 1,1 kW 1x120V	-
11	15-000010	Adapter $\varnothing 8 \times 1/4$ " NPT SS	AISI 304



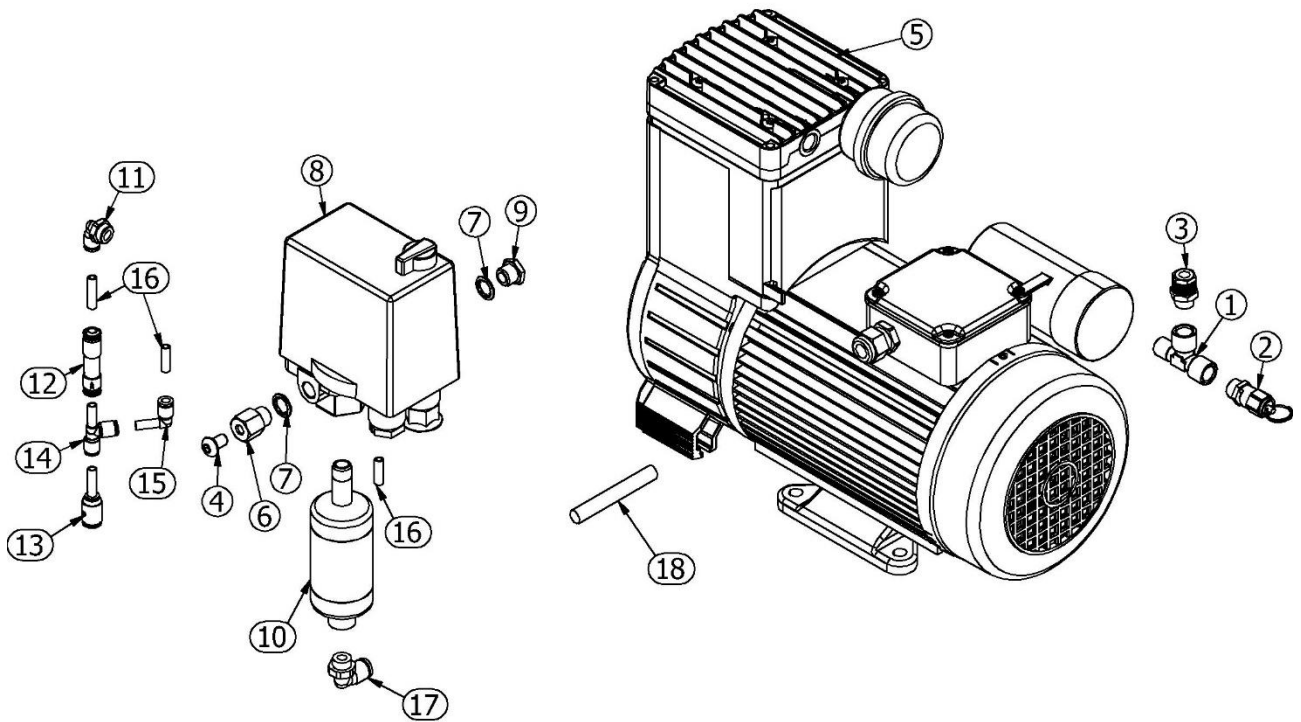
Item	Part Number	Description	Material
1	30-740483	Flexi clamps $\varnothing 48,3$	-
2	17-010010	O-ring 46x3	NBR
3	08-000801	Nut M8	A2
4	08-800835	Cheese-head screw M8x35	A2
5	06-000650	Pump CRNE 3-8 A-CA-GI-E-HQQE	-
6	08-201211	Set screw M12x45	A2
7	08-001201	Lock nut M12	A2
8	08-301202	Disc washer $\varnothing 12$	A2
9	25-250150	Outlet pipe MS1-10/AMM50-10	AISI 304
10	05-040097	Inlet pipe 3/4" BSP MS1-10/AMM50-10/AMM50-10 Vemag	-



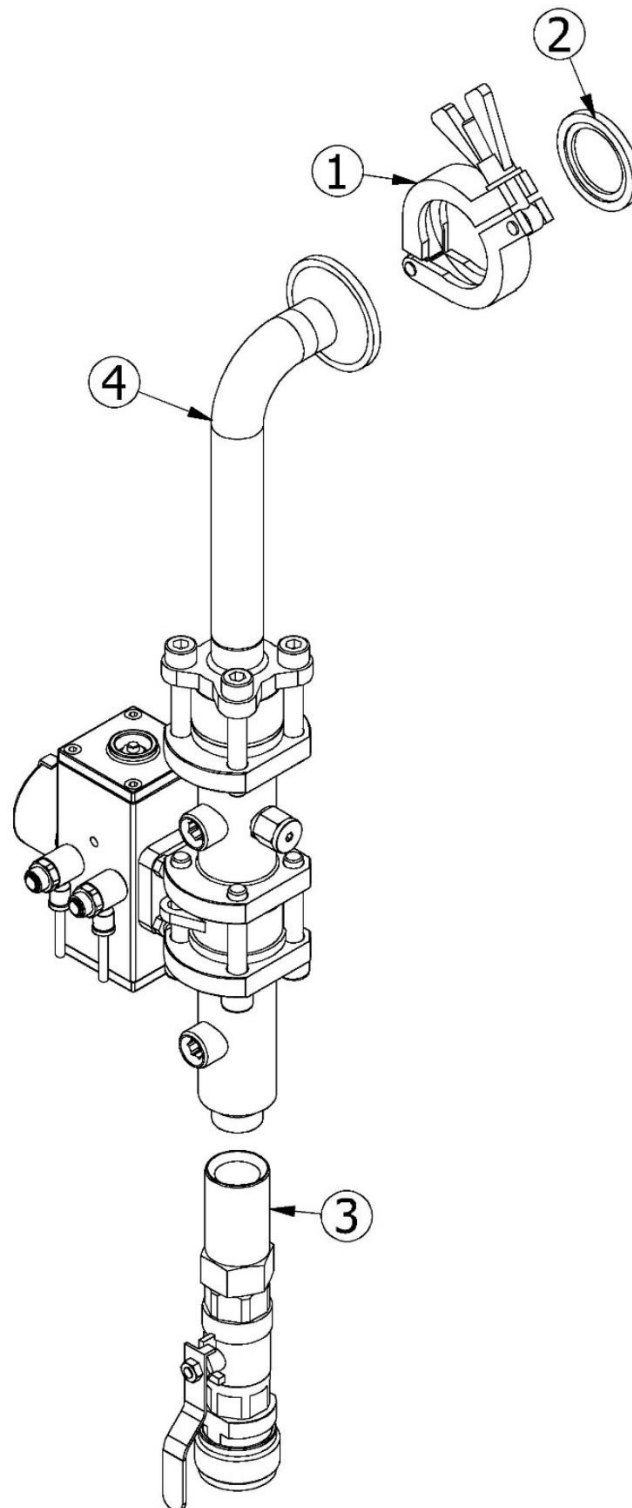
Item	Part Number	Description	Material
1	08-000801	Nut M8	A2
2	08-000805	Lock nut M8	A2
3	08-200807	Set screw M8x30	A2
4	08-300803	Plane washer ø8	A2
5	08-100408	Screw M4x8 cylinder head	A2
6	42-200135	Consol for control MS1-10/AMM50-10	AISI 304
7	08-000502	Lock nut M5	A2
8	08-100515	Screw buttonhead M5x10	A2
9	08-104015	Screw for plastic 5x12	A2
10	37-500620	Control 1x120v/60Hz	-



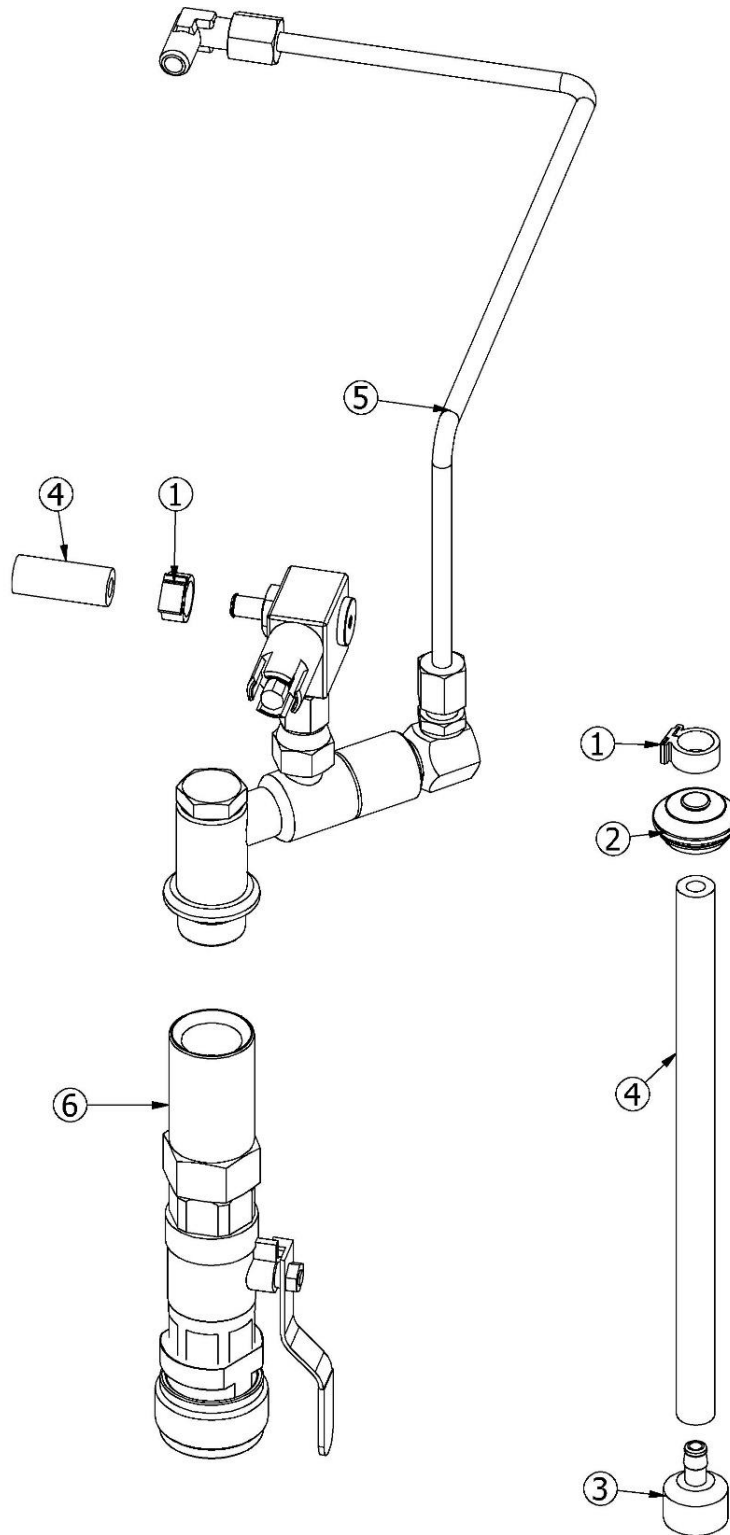
Item	Part Number	Description	Material
1	08-000801	Nut M8	A2
2	08-000805	Lock nut M8	A2
3	08-200807	Set screw M8x30	A2
4	08-300803	Plane washer ø8	A2
5	41-800140	Dividing plate MSC1-10	PE-foam
6	39-200000	Axial fan 120x120, 230V, IP55	-
7	03-705160	Preassembled Compressor MSC1-10 1x230V 50Hz	-



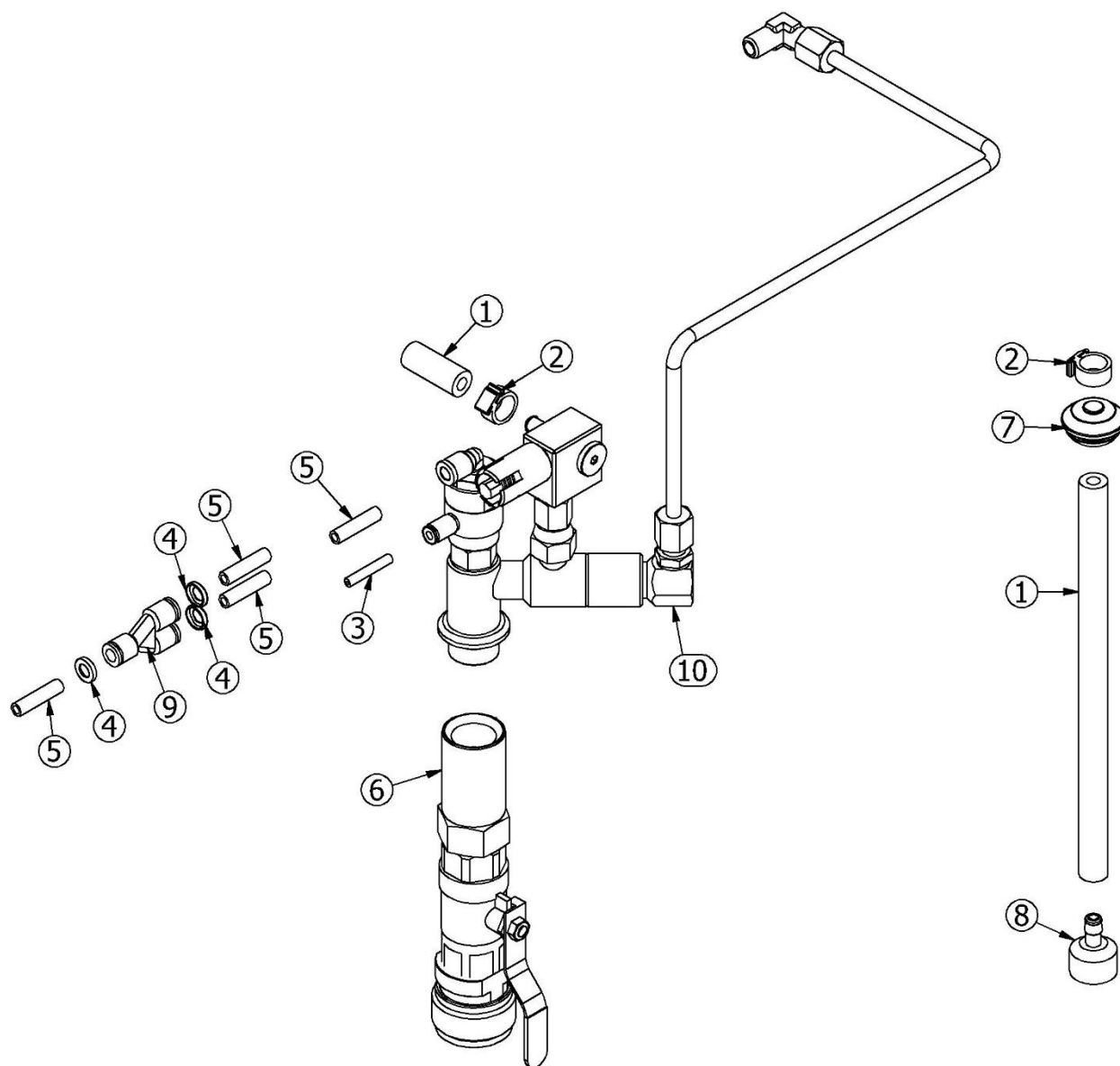
Item	Part Number	Description	Material
1	15-700045	Tee, 1/4" I/I/E	Nickel-plated brass
2	19-300010	Safety valves MC1	-
3	15-000080	Push on fitting 1/4"xø8	Brass
4	08-100003	Allen screw M8x12	A2
5	33-600210	Compressor oilless 1x230V/50Hz	-
6	16-501408	Plug 1/4"xM8	AISI 303
7	17-000012	Gasket 1/4"	PA12
8	35-600111	Pressure switch for Compressor 230V	-
9	16-501400	Plug 1/4"	Nickel-plated brass
10	34-900055	Pressure vessel 0,09L for MS1-10/AMM50-10	AISI 304
11	15-010010	Air fitting 1/4"x6 elbow	Nickel-plated brass/Plastic
12	20-200140	Non-return valve ø6 air	-
13	15-000075	Pneumatic reduction 8x6	Plastic
14	15-010111	Air fitting 6/6/6 (T-piece)	Plastic
15	15-010120	Air fitting 6x6 elbow	Plastic
16	55-110040	Air hose ø6mm black	PA12
17	15-000011	Air fitting 1/4"x8 (inside)	Nickel-plated brass/Plastic
18	35-410060	Cable 3x1,5mm2	PVC



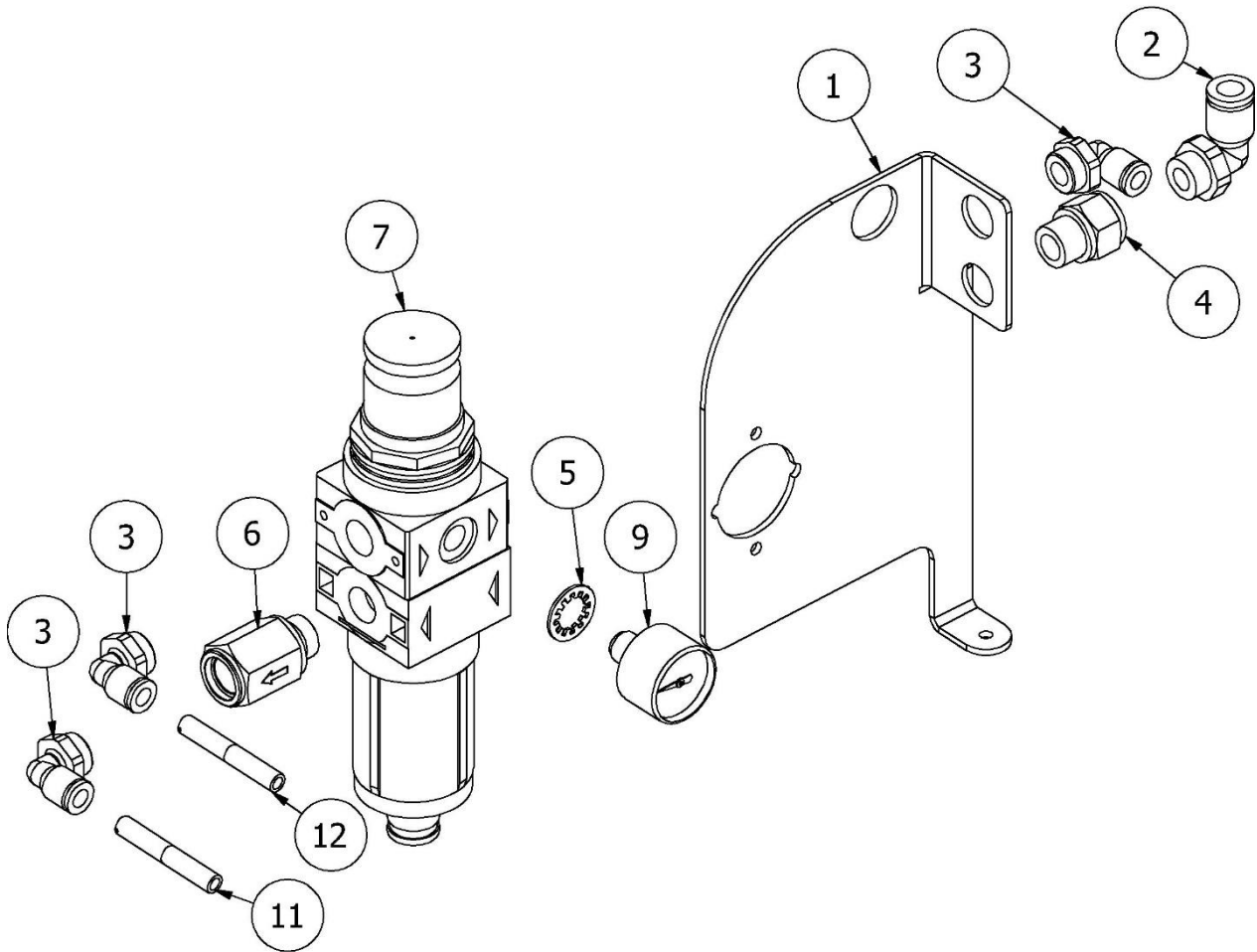
Item	Part Number	Description	Material
1	30-590072	Clamp for K55,5mm flange	AISI 304
2	30-590054	Clamp gasket $\varnothing 33,7$ ISO 1127	Viton
3	02-020021	Water outlet Blue 1/2" complete	-
4	02-020290	Injector system MS1/MSC1 -10	-



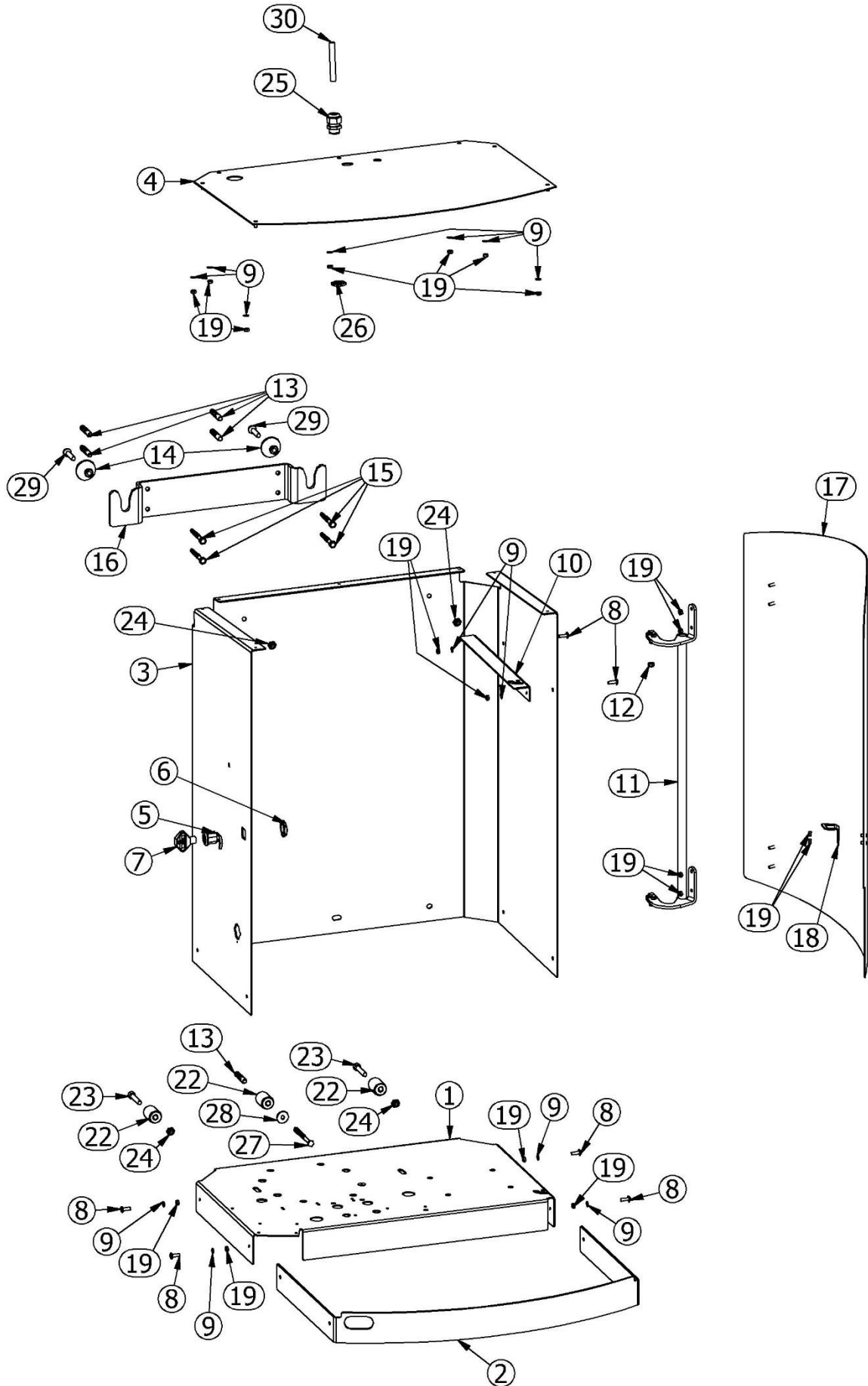
Item	Part Number	Description	Material
1	15-300012	Hose clip for 1/4"	PVC
2	04-000082	Diaphragm nipple	EPDM
3	27-300040	Suction filter ø6,5	AISI 316
4	55-200061	Suction hose 1/4" yellow	PVC
5	05-040130	MS1-10 sep. D-injector preassembled	-
6	02-020026	Water outlet yellow 1/2" complete	-



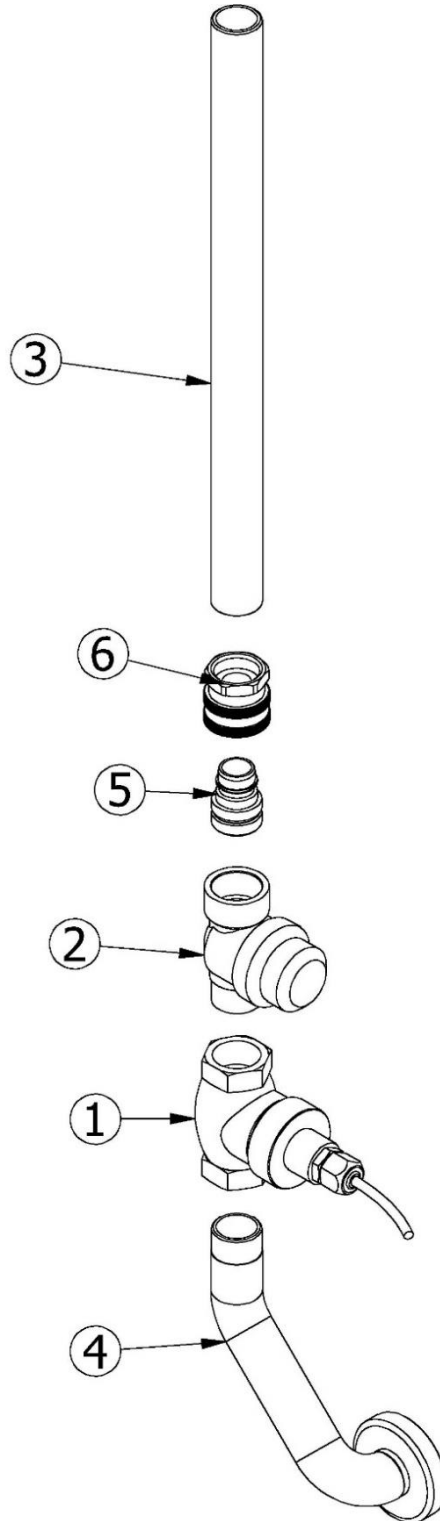
Item	Part Number	Description	Material
1	55-200020	Suction hose 1/4" white, m	PVC
2	15-300012	Hose clip for 1/4"	PVC
3	55-110080	Air hose ø4mm black	PA12
4	15-090606	Color ring 6mm green	Plastic
5	55-100030	Air hose 6mm green	PA12
6	02-020021	Water outlet Blue 1/2" complete	-
7	04-000082	Diaphragm nipple	EPDM
8	27-300040	Suction filter ø6,5	AISI 316
9	15-010040	Air fitting ø6 Y	Plastic
10	05-040135	MS1-10 sep. F-injector preassembled	-



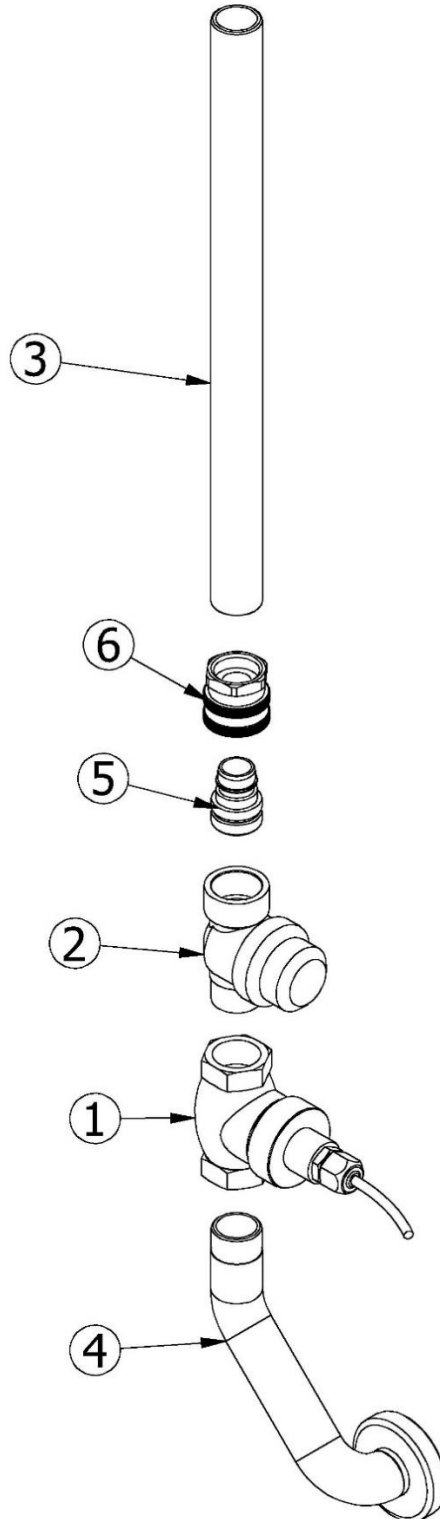
Item	Part Number	Description	Material
1	42-200120	Bracket for pneumatics G5	AISI 304
2	15-000011	Air fitting 1/4"x8 elbow	Nickel-plated brass/Plastic
3	15-010010	Air fitting 1/4"x6 elbow	Nickel-plated brass/Plastic
4	16-400040	Extension nipple 1/4"x20	Nickel-plated brass
5	17-000072	Gasket 1/8"	Nylon
6	20-200025	Non-return valve air 1/4"	-
7	20-300080	Regulator air without filter	Plastic
8	20-300141	Filter air 1/4"	Plastic
9	22-000071	Gauge ø20 0-10 bar	AISI 304/brass/glycerine
11	55-110048	Air hose ø6x300 black	PA12
12	55-110063	Air hose 6x300 red	PA12



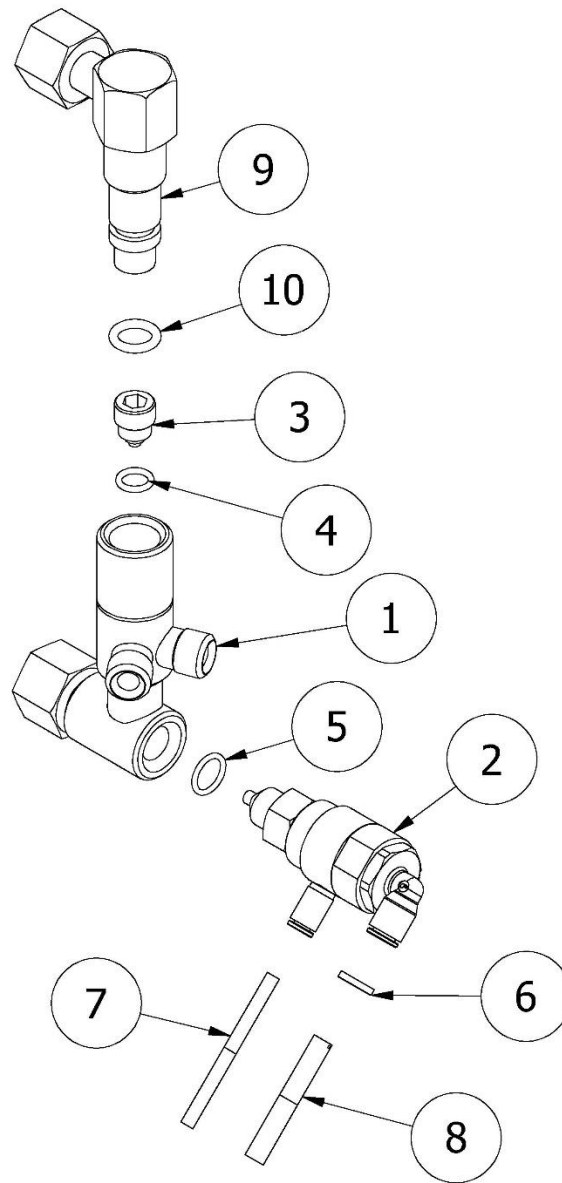
Item	Part Number	Description	Material
1	46-401520	Baseplate MS1-10/AMM50-10	AISI 304
2	46-401521	Front bracket MS1-10/AMM50-10	AISI 304
3	46-401522	Casing Housing MS1-10/AMM50-10	AISI 304
4	46-401523	Top plate MS1-10/AMM50-10	AISI 304
5	72-000040	Lock with hook	AISI 304/Plastic
6	72-000030	Nut for lock	Nylon
7	72-100010	Key for housing	Plastic
8	08-100019	Allen screw M5x16 BH RF	A2
9	08-300501	Plane washer ø5	A2
10	46-160170	Bracket for hinge MS1-10/AMM50-10	AISI 304
11	42-600105	Hinge for door, complete	AISI 304
12	08-000602	Lock nut M6	A2
13	08-900010	Rawlplugs S 10	PVC
14	43-100072-02	Suspension PS5NO/MS5NO	AISI 304
15	08-100801	Coach screw M8x60	A2
16	43-100073-01	Wall bracket HC/HCX 450	AISI 304
17	41-230501	Door 500 mm G5	AISI 304
18	72-000050	Strike plate	-
19	08-000502	Lock nut M5	A2
22	04-000181	Spacer hcx ø8/ø25x35 black	POM/C
23	08-800803	Screw M8x40 cylinder head	A2
24	08-000805	Lock nut M8	A2
25	35-700201	Screwed cable connection M20x1,5	Plastic
26	35-700200	Nut M20x1,5	Brass
27	08-100610	Coach screw M6x80	A2
28	08-300802	Disc washer ø8	A2
29	08-200811	Screw M8x45mm countersunk head	A2
30	35-410060	Cable 3x1,5mm ² PVC CE UL CSA	PVC



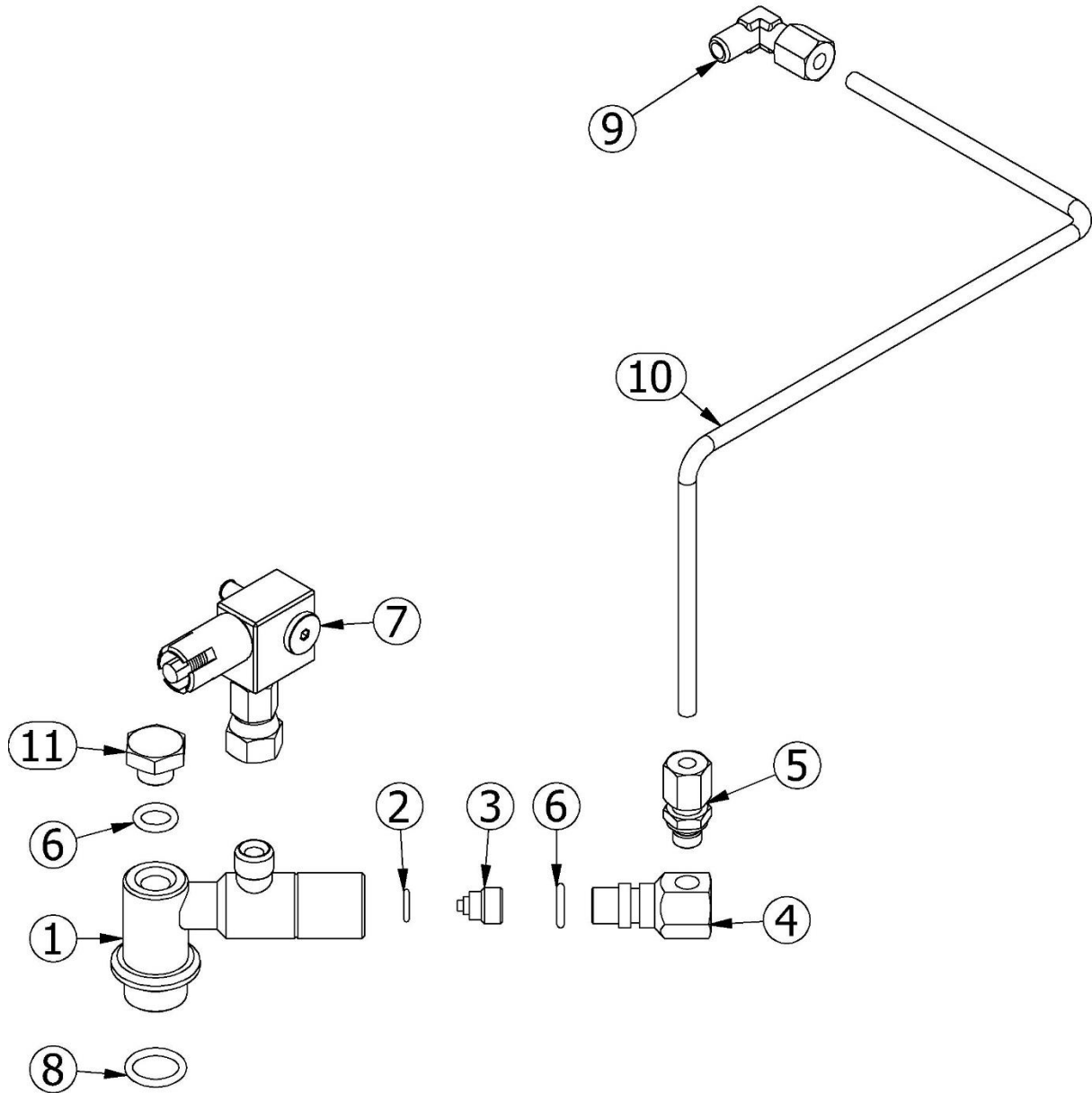
Item	Part Number	Description	Material
1	21-000060	Flow switch 3/4"	-
2	20-500050	Strainer 3/4" brass	Nickel-plated brass
3	25-000632	Inlet pipe 3/4" MS1-10/AMM50-10 BSP	AISI 304
4	30-532130	Pump coupling inlet MS1-10/AMM50-10	AISI 304
5	30-300060	Nito male coupling with 3/4" external thread	Chrome-plated brass
6	30-300050-01	Nito female coupling with 3/4" internal thread	Chrome-plated brass



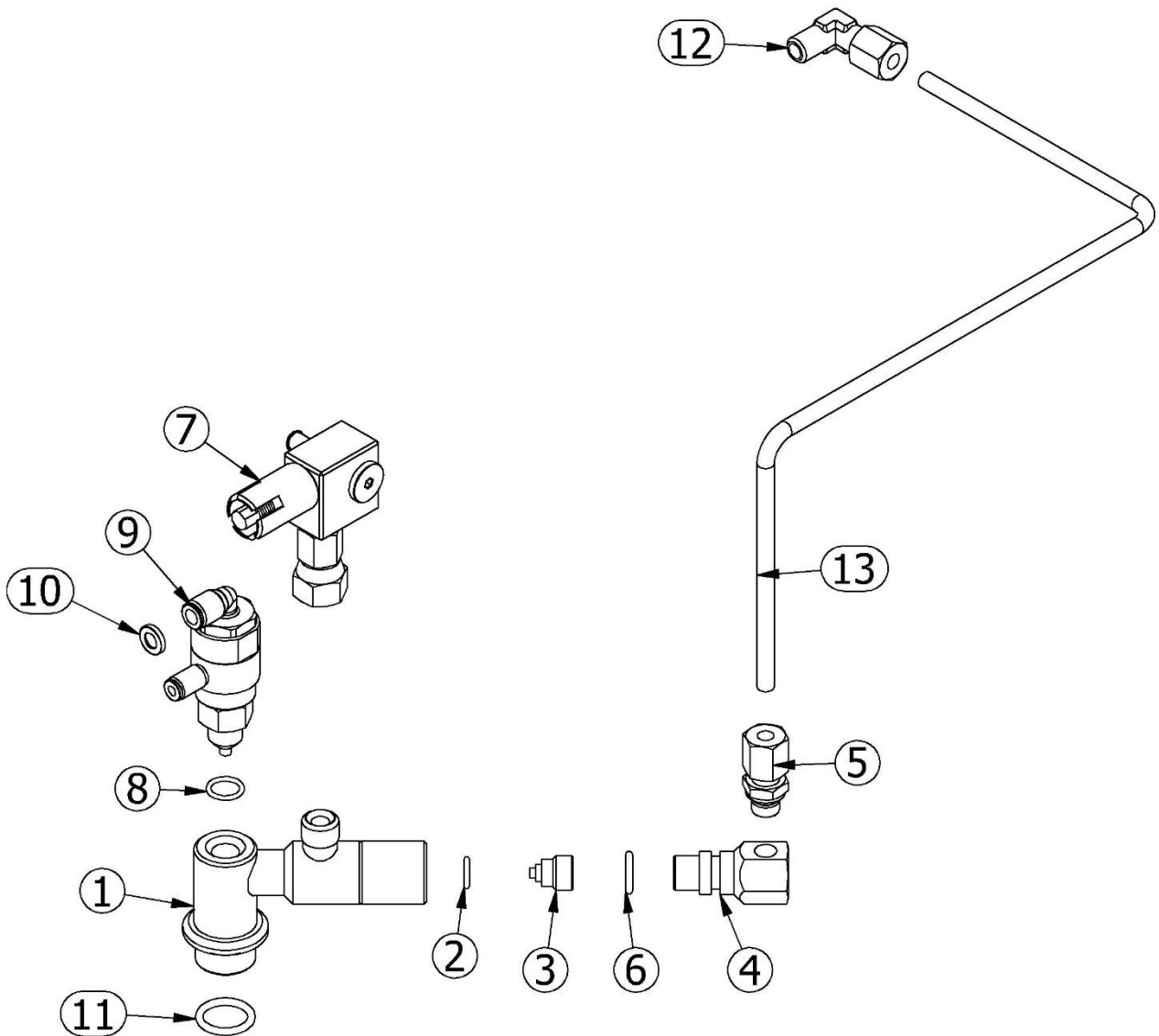
Item	Part Number	Description	Material
1	21-000060	Flow switch 3/4"	-
2	20-500050	Strainer 3/4" brass	Nickel-plated brass
3	25-000633	Inletpipe 3/4" MS1-10/AMM50-10 NPT	AISI 304
4	30-532130	Pump coupling inlet MS1-10/AMM50-10	AISI 304
5	30-300060	Nito male coupling with 3/4" external thread	Chrome-plated brass
6	30-300050-01	Nito female coupling with 3/4" internal thread	Chrome-plated brass



Item	Part Number	Description	Material
1	27-010121	Injector housing	AISI 316
2	15-010167	Air fitting elbow $\varnothing 1,5$	Nickel-plated brass/Plastic
3	27-200010	Water nozzle $\varnothing 2,0$	AISI 316
4	17-030008	O-ring 7,65x1,78 Viton 70 sh	Viton
5	17-000032	O-ring 10,1x1,6 NBR 70 shore	NBR
6	15-090606	Color ring 6mm green	Plastic
7	55-110081	Air hose $\varnothing 4 \times 280$ black	PA12
8	55-100037	Air hose 6×500 green	PA12
9	16-110012	Adapter for injector	AISI 316
10	17-000132	O-ring 9,92x2,62	NBR

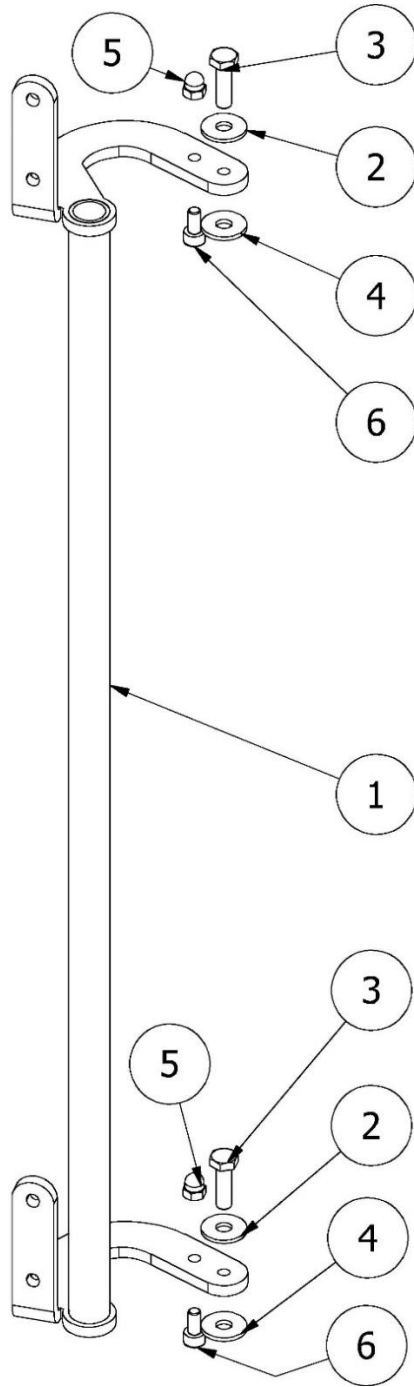


Item	Part Number	Description	Material
1	27-010130-01	Chemical part injector II	AISI 316
2	17-030008	O-ring 7,65x1,78 Viton 70 sh	Viton
3	27-200010	Water nozzle ø2,0	AISI 316
4	16-100100	Adapter 1/8"xM12x1	AISI 316
5	26-100020	Clamping ring fitting 1/8"x6	AISI 316
6	17-000132	O-ring 9,92x2,62	NBR
7	20-400056	Dosing valve concentrated	AISI 316/Viton
8	17-000083	O-ring 15,54x2,62	NBR
9	26-100030	Clamping ring fitting 1/8"x6	AISI 316
10	26-000392	Pipe ø6x1 for injector MS1-10	AISI 304
11	16-500010	Plug M12x1	AISI 316



Item	Part Number	Description	Material
1	27-010130-01	Chemical part injector II	AISI 316
2	17-030008	O-ring 7,65x1,78 Viton 70 sh	Viton
3	27-200010	Water nozzle $\varnothing 2,0$	AISI 316
4	16-100100	Adapter 1/8"xM12x1	AISI 316
5	26-100020	Clamping ring fitting 1/8"x6	AISI 316
6	17-000132	O-ring 9,92x2,62	NBR
7	20-400056	Dosing valve concentrated	AISI 316/Viton
8	17-000032	O-ring 10,1x1,6 NBR 70 shore	NBR
9	15-010167	Air fitting elbow $\varnothing 1,5$	Nickel-plated brass/Plastic
10	15-090606	Color ring 6mm green	Plastic
11	17-000083	O-ring 15,54x2,62	NBR
12	26-100030	Clamping ring fitting 1/8"x6	AISI 316
13	26-000392	Pipe $\varnothing 6 \times 1$ for injector MS1-10	AISI 304

42-600105



Item	Part Number	Description	Material
1	42-600076	Hinge for door 500 mm	AISI 304
2	08-300602	Disc washer $\varnothing 6$	A2
3	08-200602	Set screw M6x20	A2
4	08-300605	Disc washer $\varnothing 6$	Nylon
5	08-000504	Cap nut M5	A2
6	08-800505	Screw M5x10 cylinder head (hexagon)	A2



System Cleaners A/S

Halkjærvej 17

DK-9200 Aalborg SV

Denmark

Tel.: +45 96 34 04 04 info@systemcleaners.com

www.systemcleaners.com