

S1



General

For safety during installation and later use it is very important that installation, operating and maintenance instructions are carefully followed.

You are requested to keep this instruction manual at a location where it will be available at all times, and it should be submitted to the person who is responsible for this product. In the event that the instruction manual is lost, you are welcome to order a new one from your dealer.

If any doubt should arise with regard to the content of these instructions, please contact the distributor.

Proper use

System Cleaners' system is exclusively designed to transport and pressure-increase of water to satellite stations. All other forms of application or use not within the scope of the above are considered to be improper and inconsistent with the requirements and regulations, and may lead to hazardous situations.

System Cleaners A/S cannot be held liable for consequential damage resulting from improper use of the equipment.

Proper use includes the following:

- The instructions, regulations and recommendations concerning the system stated in the instruction manual
- Observance of the specified inspection and maintenance intervals
- Correct maintenance of good operating condition of the system
- Observance of the specified environmental and operating conditions

Proper use also includes observance of all information that is stated in this instruction manual. This applies in particular to the specified safety instructions.

Liability

Each user must handle and use the system in a responsible manner.

It is therefore of great importance that this instruction manual is available to the sanitation employee concerned at all times.

Safety

The design of the system complies with generally accepted technical regulations and provisions concerning the working environment and accident prevention. Despite this, risks can occur during use that can lead to physical inconvenience for the user or a third party or have an impact on the machine or other equipment.

The system must therefore be in prime technical condition before use and may only be used in accordance with its purpose and with strict observance of the safety requirements and operating instructions. In particular, malfunctions and irregularities that can affect safety must be remedied immediately.

Warranty

Please refer to the General Terms and Conditions applicable at any time.

Disposal

Please be aware of the following applicable provisions: the equipment must be disposed of according to its nature and applicable requirements, e.g. electrical scrap, synthetic material, stainless steel, brass, etc.

Labelling

The system is equipped with a type plate containing technical data.

The type plate is located on a fixed part of the system.

Declaration of conformity

We declare that this product is in conformity with the following directives:

2006/42/EC Directive on Machinery

A handwritten signature in black ink, appearing to read 'Brian Lund Jensen', followed by a horizontal line.

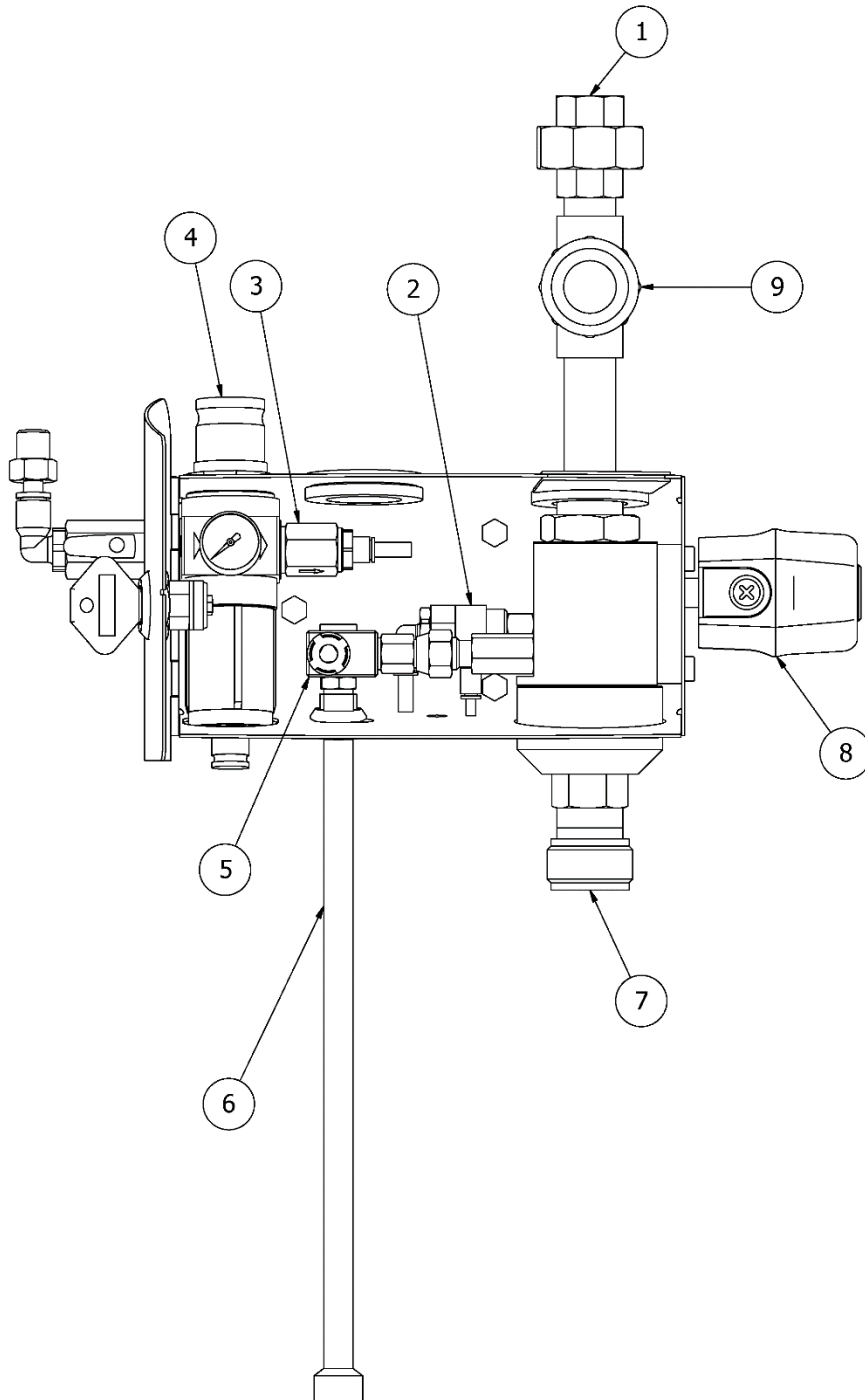
Brian Lund Jensen
Solution and Development Manager

DESCRIPTION

Satellite

A satellite is connected to pressurized water, a number of chemicals and, depending on the model, compressed air.

Using a satellite it is possible for one operator to rinse, foam or disinfect (depending on model).



Pos.	Description
1	Inlet water
2	Air unit
3	Non-return valve
4	Air regulator
5	Dosing valve chemical
6	Suction tube chemical
7	Outlet
8	Function selector
9	Strainer

INSTALLATION

Storage

The machine must not be exposed to frost unless it has been emptied of water (frost protected). Even brief periods of exposure to frost may cause damage to the equipment.

Store the equipment in a frost-free room in the original packing.

Installation

Place the equipment in a frost-free room, well protected from the sun and place it on a hard surface.

Make sure that, in the event of failing non-return valves in the air and water supply, there are suitable back-flow preventers fitted.

Local regulations may require installation of a back-flow protecting device to prevent compressed air or chemicals getting into the water supply.

Piping

The piping should be made from materials suitable for the media in the pipes, the maximum pressure and temperature.

It is the fitter's responsibility to ensure that the piping including all armatures conform to local regulations.

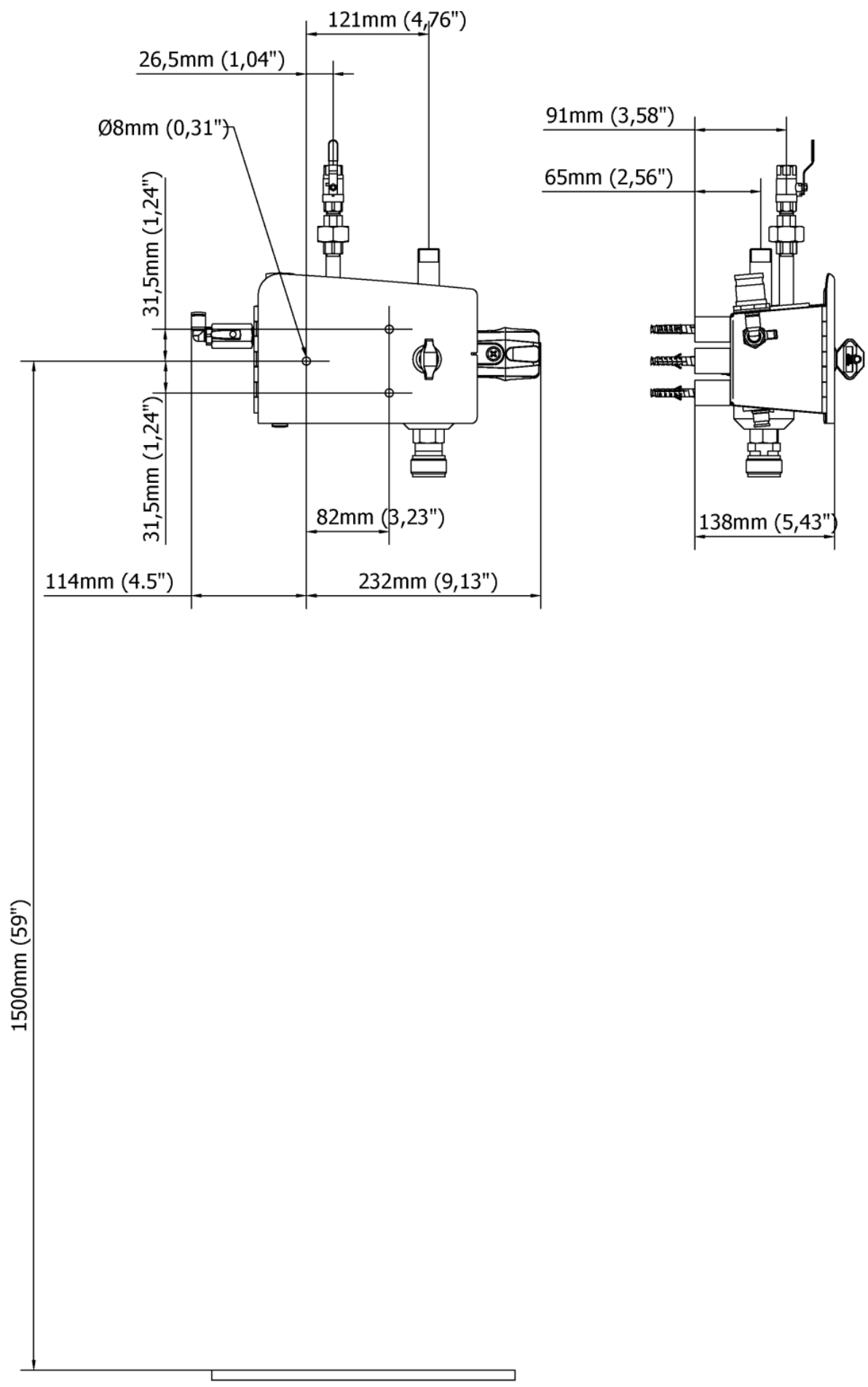
The installation must be performed such that forces from pipes etc. are not transferred to the equipment during and after fitting, as this may result in leaks or damage the equipment.

Select a pipe size so that the flow velocity in the pipe is up to 3 meters/second (10 feet/second). This gives a normally accepted pressure loss and low noise from the flow.

In order to facilitate maintenance of the equipment, it is recommended to fit a shut-off valve in the pipelines immediately at the connections for water.

Pipe supports

Always use pipe supports designed for the pipe size and material and maximum working pressure and temperature.



COMMISSIONING

Flushing

Pipes etc. must be flushed efficiently before connecting the unit.

Before commencing operation on the unit or following repair work, the unit must be flushed thoroughly to remove any impurities or foreign bodies.

Disinfection

Local specifications may require disinfection of the wetted parts like internals of pipes and pumps before use to avoid contamination of newly cleaned surfaces.

Dosing

Adjust the dosing according to the chemical supplier's recommendations.

Always calibrate and, if required, document the dosing on a regular basis.

Air

Adjust the air pressure until a satisfactory foam quality is achieved.

Note that good foam quality depends on the mixture of water, chemical and air and getting a perfect result requires some adjustments of the mixing ratios.

OPERATION

Safety

It is recommended that suitable working clothes be worn. For protection against certain types of detergents, always use protective goggles, respiratory protective equipment and rubber gloves.

It is recommended that non-slip footwear be worn since the floor can be slippery due to the presence of water and foam.

This system may only be operated, maintained and – not least - repaired by persons who are familiar with the system and properly trained to carry out the job concerned.

It is the customer's responsibility that these installation and operating instructions are supplemented by in-house instructions concerning inspection and reporting, industrial management, personnel training, etc.

Do not carry out any work if you are unsure of the consequences or are insufficiently skilled to carry it out. If in doubt, you should contact your superior or your agent in advance.

Never direct the water jet at other persons.

Never direct the water jet at electrical installations.

Check that couplings "lock" when hoses and nozzles are fitted. If possible, practise this procedure before operation. Always relieve the pressure in the rinsing hose by opening the low-pressure gun or valve after the water supply has been shut off before dismantling the couplings and removing the hose.

During operation of the system, ensure that the low-pressure gun/valve is closed before releasing the handle.

When the low-pressure gun or valve is opened, the water jet will result in a certain amount of counter-pressure. Therefore make sure that you hold the handle firmly and have a firm foothold.

System Cleaners low-pressure systems may only be used in conjunction with soaps and chemicals that are approved for cleaning within the food or transport industries.

Soaps and chemicals that are classified as highly corrosive, toxic or which pose a health risk to humans or animals may not be used.

The system must not be used together with solvents or volatile liquids that pose a health risk or are inflammable.

In the event that the system is used with non-approved soaps, chemicals or solvents, System Cleaners A/S disclaims all liability.

If in doubt, please contact your soap or chemical supplier and read the supplier manual.

In the event that you use the system with chemicals that require mandatory labelling, or if the water temperature exceeds 50°C, a low-pressure gun with an automatic closing device must be used.

In the event that you use the system without a gun with an automatic closing device together with chemicals that require mandatory labelling, or water with a temperature that exceeds 50°C, System Cleaners A/S disclaims all liability.

Pressure relief

After use shut the isolating valves over the equipment and relieve air and water pressure in hoses etc.

Flush injector system

After each use flush the injector system with warm water to avoid clogging of the injector.

MAINTENANCE

Water filter

Depending on the mains water quality it may be necessary to clean the water filter on a regular basis to prevent the pump from stopping.

Water non-return valve

Water non-return valves are critical wear parts and should be replaced yearly.

Air filter

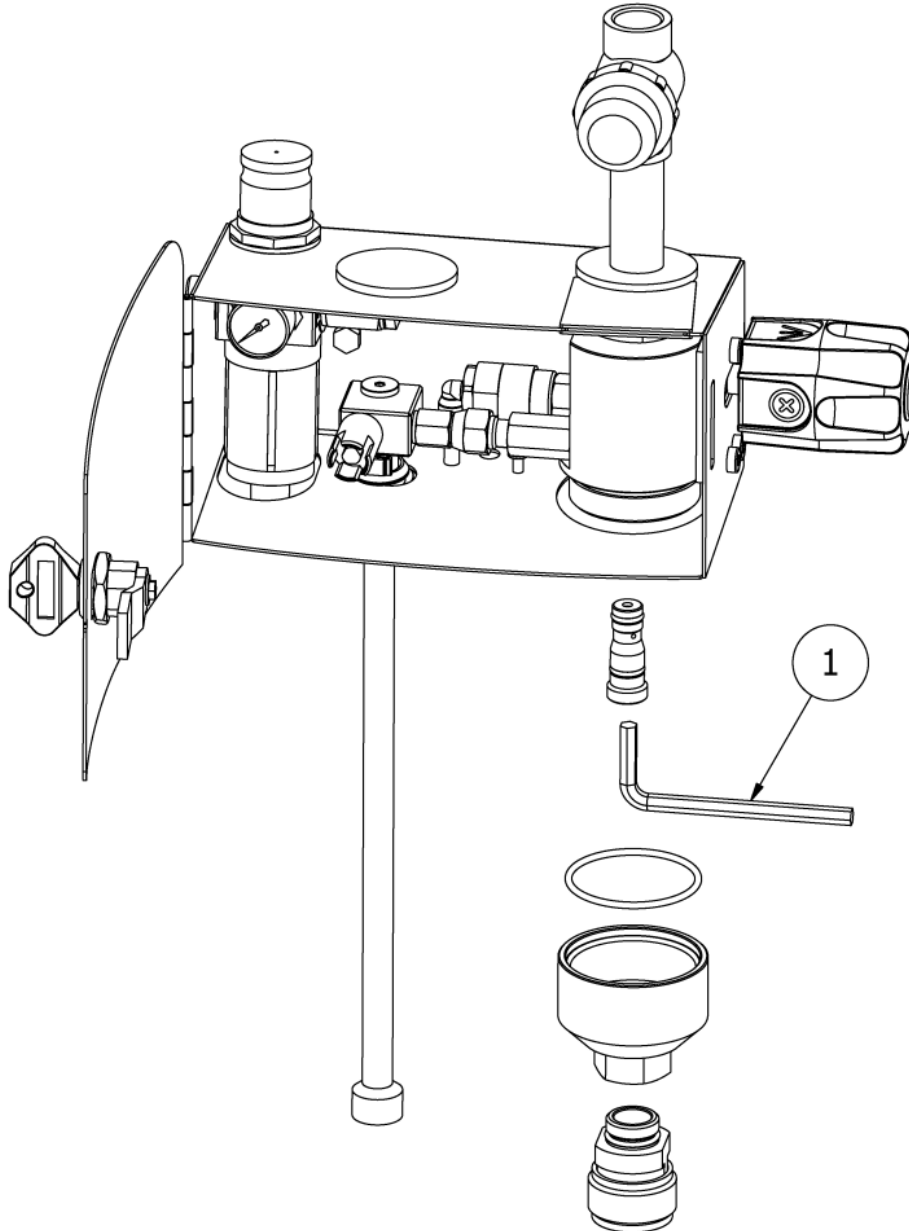
Depending on the quality of the compressed air it may be necessary to empty condensation collected in the air filter bowl on a regular basis.

Injector system

The injector system consists of foot strainer, dosing valve, non-return valve and injector.

Chemical residues compromises the function of the injector and flushing with warm water after each use is required to maintain trouble free operation.

Depending on the water quality it may be necessary to de-scale the water side of the injector on a regular basis following the chemical supplier's guidelines.



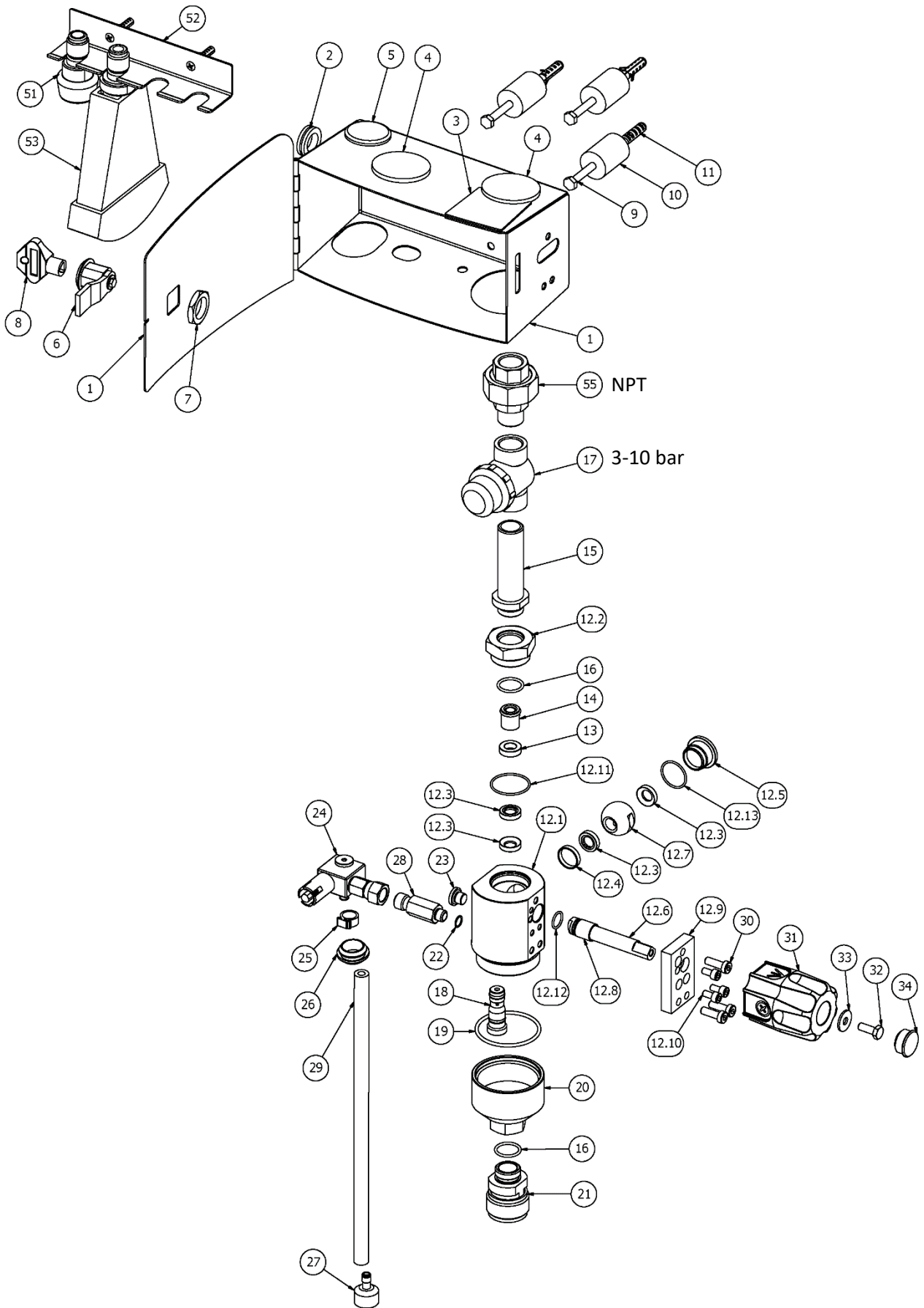
Pos	Number	Description	Material
1	97-100342	Allen key 6mm	Steel

TROUBLE SHOOTING

Fault	Cause	Remedy
No water or insufficient water at the nozzle when rinsing	Function selector is in closed position	Turn the function selector switch to the desired function
	Insufficient water supply to the unit	Make sure that the water supply is as described in the technical specifications
	Valve at the end of the hose not open	Open valve
The unit does not suck up detergent	Function selector is not in the correct position	Turn function selector switch to desired function
	Suction filter or chemical restrictor are blocked by chemical residue	Clean suction filter or chemical restrictor
	Water pressure is too low	Make sure water supply is as described in the technical specifications
	Suction filter is above the fluid level in chemical container	Position the suction filter below fluid level
Poor foam quality	Chemical product is not a foaming product	Change to a foaming chemical
	Incorrect dosing	Adjust the dosing according to chemical supplier's specifications
	Suction filter or chemical restrictor are blocked by chemical residue	Clean the suction filter or chemical restrictor
	Water pressure is too low	Make sure that the water supply is as described in the technical specifications
	Air pressure too low	Increase air pressure
	Non-original foam nozzle fitted	Replace with original white foam nozzle

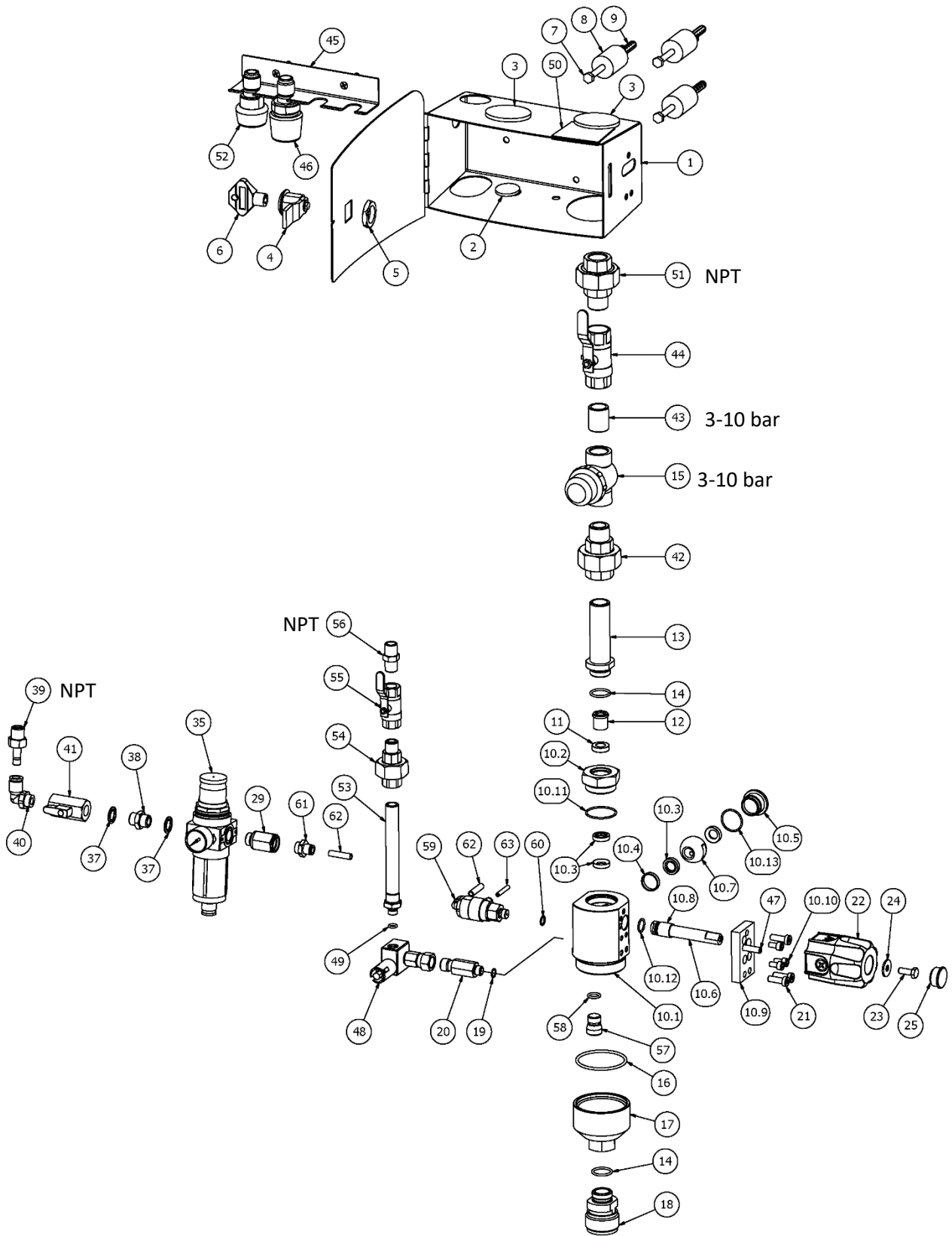
Pos	Number	Description	Material	Version
1	46-500220	Housing S1	AISI 304	All
3	04-000002	Cover	AISI 304	All
4	04-000006	Lead-in ø42 black	PVC	All
6	72-000011	Lock WITHOUT handle	AISI 304/Plastic	All
7	72-000030	Nut for lock	Nylon	All
8	72-100010	Key for housing	Plastic	All
9	08-100610	Coach screw M6x80mm	A2	All
10	04-000177	Spacer ø6/ø25x35 black	PVC-U	All
11	08-900008	Rawlplugs S 8	PVC	All
12	20-001000	Valve block	-	All
12.1	20-001010	Valve housing	AISI 316	All
12.2	20-001020	Seal backing 01	AISI 303	All
12.3	20-001050	Ball seal	PTFE with 25% carbon fiber	All
12.4	20-001040	Seal backing 03	AISI 303	All
12.5	20-001030	Seal backing 02	AISI 303	All
12.6	20-001060	Spindle for ball	AISI 303	All
12.7	20-001070	Ball	AISI 316	All
12.8	20-001080	Guide for spindle	PTFE with 25% carbon fiber	All
12.9	20-001090	Holder for spindle guide	POM/black	All
12.10	08-800505	Cheese-head screw M5x10	A2	All
12.11	17-020008	O-ring 30x1,5 EPDM 70 sh	EPDM	All
12.12	17-020007	O-ring 12x1,5 EPDM 70 sh	EPDM	All
12.13	17-020006	O-ring 22x1,5 EPDM 70 sh	EPDM	All
13	04-000193	Washer ø18/ø10,4x5	PTFE	All
14	20-200170	Non-return valve DN 10	Plastic/EPDM	All
15	25-000720	Inlet pipe 1/2" BSP	AISI 304	All
16	17-020080	O-ring 18x2 70 shore	EPDM	All
17	20-500061	Strainer 1/2" brass 300 µm	Nickel-plated brass	3-10 bar
18	27-000213	Injection cartridge ø2,3 PSU	PSU/EPDM	3-8 bar
18	27-000201	Injection cartridge ø1,5 PSU	PSU/EPDM	10-40 bar
19	17-020009	O-ring 48,9x2,62 EPDM 70 sh	EPDM	All
20	20-001100	Outlet valve housing	AISI 303	All
21	30-000053	Coupling, outlet 1/2" SS	AISI 303	All
22	173-000010	O-ring 8x1 for hose	EPDM	All
24	20-400056	Dosing valve concentrated S1	AISI 316/Viton	All
25	15-300012	Hose clip for 1/4"	PVC	All
26	04-000081	Diaphragm nipple	EPDM	All
27	27-300040	Suction filter ø6,5	AISI 316	All
28	16-110016	Adapter dosing valve	AISI 316	All
29	55-200023	Suction hose 1/4"x1500 white	PVC	All
30	08-100026	Allen screw M6x18 CH RF	A2	All
31	20-302010	Handle	ABS	All
32	08-200606	Set screw M6x16	A2	All
33	08-300602	Disc washer ø6	A2	All
34	010-200200	Plastic plug ø23xø20mm	Nylon	All
38	20-200025	Non-return valve air 1/4"	-	All
44	20-300040	Regulator with filter	Plastic	All
45	55-110040	Air hose ø6mm black	PA12	All
46	17-000012	Gasket 1/4"	PA12	All
47	15-100060	Hexagon nipple 1/4"	Nickel-plated brass	All
48	15-000010	Adapter ø8x1/4" NPT SS	AISI 304	NPT
49	15-000011	Air fitting 1/4"x8 elbow	Nickel-plated brass/Plastic	All
50	20-000050	Ball valve 1/4"	Nickel-plated brass	All
51	53-010401	Rinse nozzle System MS10/40	-	3-10 bar
51	53-015301	Rinse nozzle System 15/30 BR	-	10-40 bar
52	57-000050	Nozzle holder	-	All
54	53-502000	Foam nozzle System 50/200 BR	-	All
55	15-800033	Union 1/2" with packing, NPT	AISI 316/PTFE	NPT
57	15-010166	Air fitting elbow ø1,5	Nickel-plated brass/Plastic	All
58	15-010071	Air fitting 1/4"x6	Nickel-plated brass/Plastic	All
59	55-110080	Air hose ø4mm black	PA12	All
60	17-000020	O-ring 8x1,25	NBR	All

S1 F (no air)



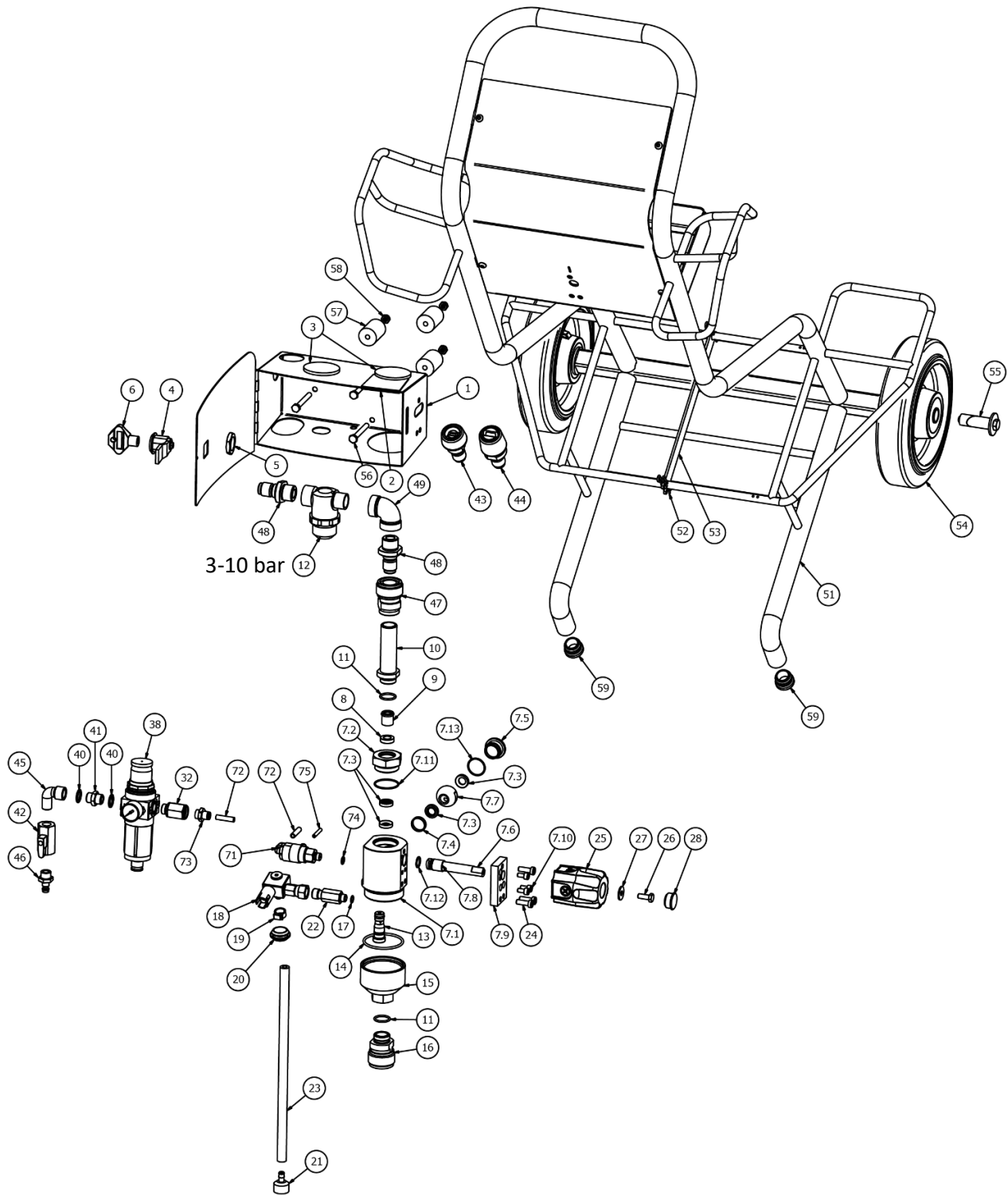
Pos	Number	Description	Material	Version
1	46-500220	Housing S1	AISI 304	All
2	04-000005	Lead-in ø20 black	PVC	All
3	04-000002	Cover	AISI 304	All
4	04-000006	Lead-in ø42 black	PVC	All
5	04-000223	Blind plug ø32,5 black	Plastic	All
6	72-000011	Lock WITHOUT handle	AISI 304/Plastic	All
7	72-000030	Nut for lock	Nylon	All
8	72-100010	Key for housing	Plastic	All
9	08-100610	Coach screw M6x80mm	A2	All
10	04-000177	Spacer ø6/ø25x35 black	PVC-U	All
11	08-900008	Rawplugs S 8	PVC	All
12	20-001000	Valve block	-	All
12.1	20-001010	Valve housing	AISI 316	All
12.2	20-001020	Seal backing 01	AISI 303	All
12.3	20-001050	Ball seal	PTFE with 25% carbon fiber	All
12.4	20-001040	Seal backing 03	AISI 303	All
12.5	20-001030	Seal backing 02	AISI 303	All
12.6	20-001060	Spindle for ball	AISI 303	All
12.7	20-001070	Ball	AISI 316	All
12.8	20-001080	Guide for spindle	PTFE with 25% carbon fiber	All
12.9	20-001090	Holder for spindle guide	POM/black	All
12.10	08-800505	Cheese-head screw M5x10	A2	All
12.11	17-020008	O-ring 30x1,5 EPDM 70 sh	EPDM	All
12.12	17-020007	O-ring 12x1,5 EPDM 70 sh	EPDM	All
12.13	17-020006	O-ring 22x1,5 EPDM 70 sh	EPDM	All
13	04-000193	Washer ø18/ø10,4x5	PTFE	All
14	20-200170	Non-return valve DN 10	Plastic/EPDM	All
15	25-000720	Inlet pipe 1/2" BSP	AISI 304	All
16	17-020080	O-ring 18x2 70 shore	EPDM	All
17	20-500061	Strainer 1/2" brass 300 µm	Nickel-plated brass	3-10 bar
18	27-000217	Injection cartridge ø2,5 PSU	PSU/EPDM	3-6 bar
18	27-000201	Injection cartridge ø1,5 PSU	PSU/EPDM	10-40 bar
19	17-020009	O-ring 48,9x2,62 EPDM 70 sh	EPDM	All
20	20-001100	Outlet valve housing	AISI 303	All
21	30-000053	Coupling, outlet 1/2" SS	AISI 303	All
22	173-000010	O-ring 8x1 for hose	EPDM	All
23	16-501804	Plug 1/8"	Nickel-plated brass	All
24	20-400056	Dosing valve concentrated S1	AISI 316/Viton	All
25	15-300012	Hose clip for 1/4"	PVC	All
26	04-000081	Diaphragm nipple	EPDM	All
27	27-300040	Suction filter ø6,5	AISI 316	All
28	16-110016	Adapter dosing valve	AISI 316	All
29	55-200023	Suction hose 1/4"x1500 white	PVC	All
30	08-100026	Allen screw M6x18 CH RF	A2	All
31	20-302010	Handle	ABS	All
32	08-200606	Set screw M6x16	A2	All
33	08-300602	Disc washer ø6	A2	All
34	010-200200	Plastic plug ø23xø20mm	Nylon	All
51	53-010401	Rinse nozzle System MS10/40	-	3-10 bar
51	53-015301	Rinse nozzle System 15/30 BR	-	10-40 bar
52	57-000050	Nozzle holder	-	All
53	57-200060	Foam booster with SC coupling	-	All
55	15-800033	Union 1/2" with packing, NPT	AISI 316/PTFE	NPT

S1 PF



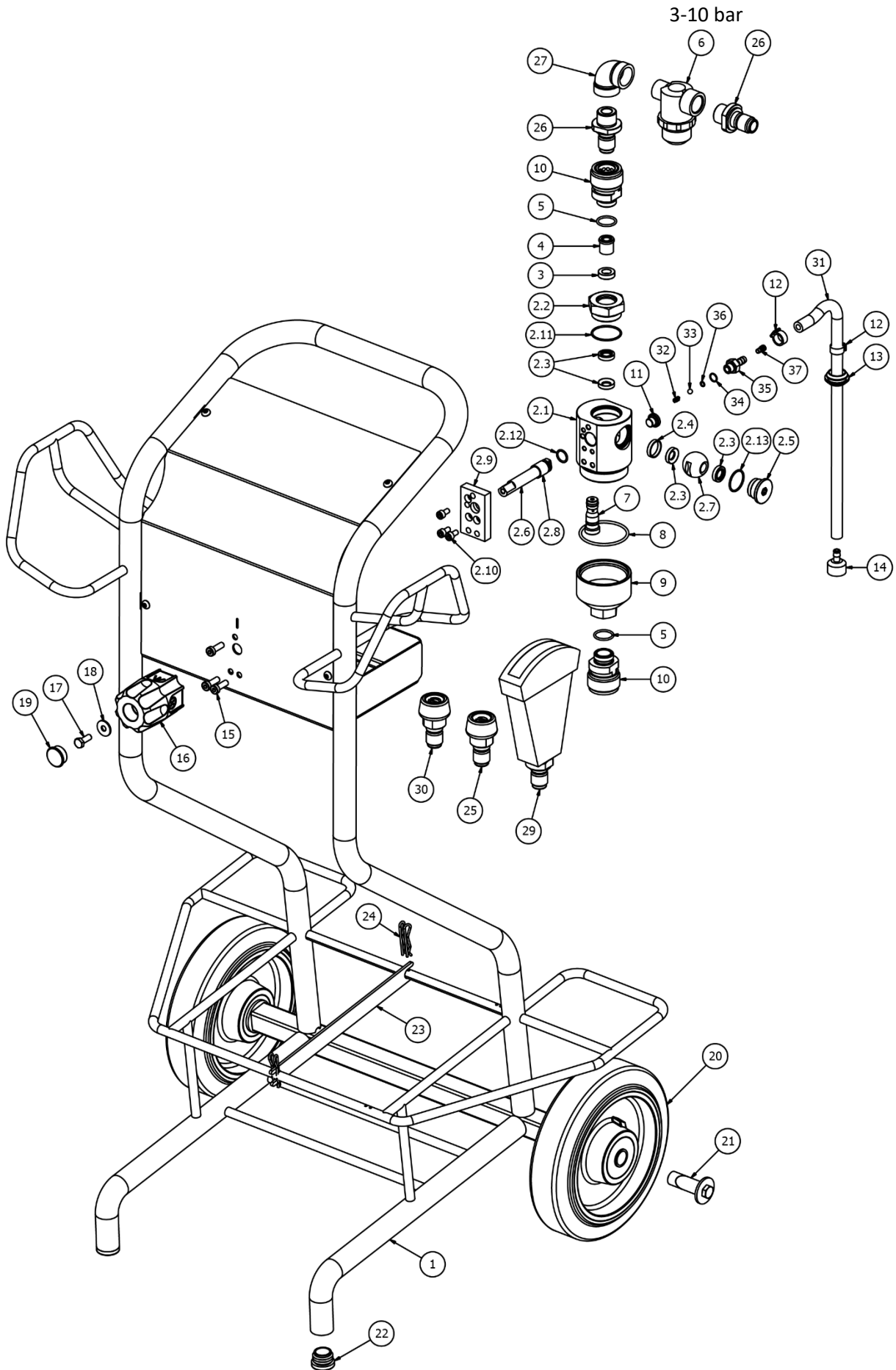
Pos	Number	Description	Material	Version
1	46-500220	Housing S1	AISI 304	All
2	04-000005	Lead-in ø20 black	PVC	All
3	04-000006	Lead-in ø42 black	PVC	All
4	72-000011	Lock WITHOUT handle	AISI 304/Plastic	All
5	72-000030	Nut for lock	Nylon	All
6	72-100010	Key for housing	Plastic	All
7	08-100610	Coach screw M6x80mm	A2	All
8	04-000177	Spacer ø6/ø25x35 black	PVC-U	All
9	08-900008	Rawlplugs S 8	PVC	All
10	20-001001	Valve block PF	-	All
10.1	20-001011	Valve housing S1 PF	AISI 316	All
10.2	20-001020	Seal backing 01	AISI 303	All
10.3	20-001050	Ball seal	PTFE with 25% carbon fiber	All
10.4	20-001040	Seal backing 03	AISI 303	All
10.5	20-001030	Seal backing 02	AISI 303	All
10.6	20-001060	Spindle for ball	AISI 303	All
10.7	20-001070	Ball	AISI 316	All
10.8	20-001080	Guide for spindle	PTFE with 25% carbon fiber	All
10.9	20-001090	Holder for spindle guide	POM/black	All
10.10	08-800505	Cheese-head screw M5x10	A2	All
10.11	17-020008	O-ring 30x1,5 EPDM 70 sh	EPDM	All
10.12	17-020007	O-ring 12x1,5 EPDM 70 sh	EPDM	All
10.13	17-020006	O-ring 22x1,5 EPDM 70 sh	EPDM	All
11	04-000193	Washer ø18/ø10,4x5	PTFE	All
12	20-200170	Non-return valve DN 10	Plastic/EPDM	All
13	25-000720	Inlet pipe 1/2" BSP	AISI 304	All
14	17-020080	O-ring 18x2 70 shore	EPDM	All
15	20-500061	Strainer 1/2" brass 300 µm	Nickel-plated brass	3-10 bar
16	17-020009	O-ring 48,9x2,62 EPDM 70 sh	EPDM	All
17	20-001100	Outlet valve housing	AISI 303	All
18	30-000053	Coupling, outlet 1/2" SS	AISI 303	All
19	173-000010	O-ring 8x1 for hose	EPDM	All
20	16-110016	Adapter dosing valve	AISI 316	All
21	08-100026	Allen screw M6x18 CH RF	A2	All
22	20-302030	Handle	ABS	PF
23	08-200606	Set screw M6x16	A2	All
24	08-300602	Disc washer ø6	A2	All
25	010-200200	Plastic plug ø23xø20mm	Nylon	All
29	20-200025	Non-return valve air 1/4"	-	All
35	20-300040	Regulator with filter	Plastic	All
37	17-000012	Gasket 1/4"	PA12	All
38	15-100060	Hexagon nipple 1/4"	Nickel-plated brass	All
39	15-000010	Adapter ø8x1/4" NPT SS	AISI 304	NPT
40	15-000011	Air fitting 1/4"x8 elbow	Nickel-plated brass/Plastic	All
41	20-000050	Ball valve 1/4"	Nickel-plated brass	All
42	15-800032	Union 1/2" with packing, e/i	AISI 316/PTFE	All
43	15-510123	Nipple pipe 1/2"x25mm	AISI 316	3-10 bar
44	20-000220	Ball valve 1/2" (blue)	AISI 316	All
45	57-000050	Nozzle holder	-	All
46	53-502000	Foam nozzle System 50/200 BR	-	All
47	046-000630	Tailstock screw M6x30mm	A2	All
48	20-400055	Dosing valve pre-diluted	AISI 316/Viton	All
49	17-000153	O-ring 6,07x1,78	Viton	All
50	04-000002	Cover	AISI 304	All
51	15-800033	Union 1/2" with packing, NPT	AISI 316/PTFE	NPT
52	53-010401	Rinse nozzle System MS10/40	-	3-10 bar
52	53-015301	Rinse nozzle System 15/30 BR	-	10-40 bar
53	25-000790	Inlet pipe S1 PF	AISI 304	All
54	15-800070	Union 1/4" with packing, e/i	AISI 316/PTFE	All
55	20-000242	Ball valve 1/4" SS (white)	AISI 316	All
56	15-100014	Hexagon nipple 1/4" BSPP/NPT	AISI 316	NPT
57	16-500009	Plug M16	AISI 316	All
58	17-020055	O-ring 10x2 70 shore	EPDM	All
59	15-010166	Air fitting elbow ø1,5	Nickel-plated brass/Plastic	All
60	17-000020	O-ring 8x1,25	NBR	All
61	15-010071	Air fitting 1/4"x6	Nickel-plated brass/Plastic	All
62	55-110040	Air hose ø6mm black	PA12	All
63	55-110080	Air hose ø4mm black	PA12	All

S1 F (trolley with cabinet)



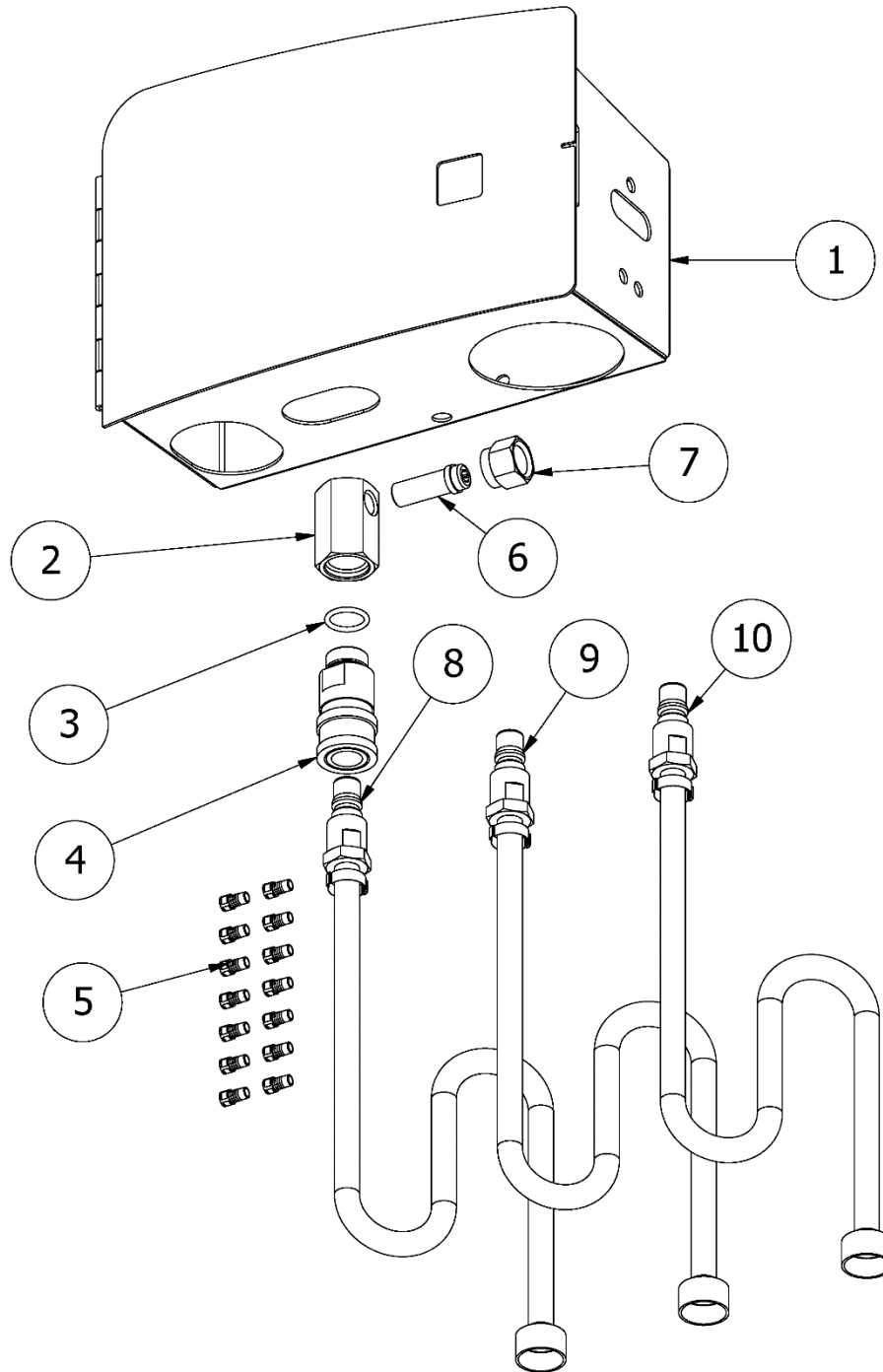
Pos	Number	Description	Material	Version
1	46-500220	Housing S1	AISI 304	All
2	04-000002	Cover	AISI 304	All
3	04-000006	Lead-in ø42 black	PVC	All
4	72-000011	Lock WITHOUT handle	AISI 304/Plastic	All
5	72-000030	Nut for lock	Nylon	All
6	72-100010	Key for housing	Plastic	All
7	20-001000	Valve block	-	All
7.1	20-001010	Valve housing	AISI 316	All
7.2	20-001020	Seal backing 01	AISI 303	All
7.3	20-001050	Ball seal	PTFE with 25% carbon fiber	All
7.4	20-001040	Seal backing 03	AISI 303	All
7.5	20-001030	Seal backing 02	AISI 303	All
7.6	20-001060	Spindle for ball	AISI 303	All
7.7	20-001070	Ball	AISI 316	All
7.8	20-001080	Guide for spindle	PTFE with 25% carbon fiber	All
7.9	20-001090	Holder for spindle guide	POM/black	All
7.10	08-800505	Cheese-head screw M5x10	A2	All
7.11	17-020008	O-ring 30x1,5 EPDM 70 sh	EPDM	All
7.12	17-020007	O-ring 12x1,5 EPDM 70 sh	EPDM	All
7.13	17-020006	O-ring 22x1,5 EPDM 70 sh	EPDM	All
8	04-000193	Washer ø18/ø10,4x5	PTFE	All
9	20-200170	Non-return valve DN 10	Plastic/EPDM	All
10	25-000720	Inlet pipe 1/2" BSP	AISI 304	All
11	17-020080	O-ring 18x2 70 shore	EPDM	All
12	20-500060	Strainer 1/2" brass 300 µm (E/I)	Nickel-plated brass	3-10 bar
13	27-000213	Injection cartridge ø2,3 PSU	PSU/EPDM	3-8 bar
13	27-000201	Injection cartridge ø1,5 PSU	PSU/EPDM	10-40 bar
14	17-020009	O-ring 48,9x2,62 EPDM 70 sh	EPDM	All
15	20-001100	Outlet valve housing	AISI 303	All
16	30-000053	Coupling, outlet 1/2" SS	AISI 303	All
17	173-000010	O-ring 8x1 for hose	EPDM	All
18	20-400056	Dosing valve concentrated S1	AISI 316/Viton	All
19	15-300012	Hose clip for 1/4"	PVC	All
20	04-000081	Diaphragm nipple	EPDM	All
21	27-300040	Suction filter ø6,5	AISI 316	All
22	16-110016	Adapter dosing valve	AISI 316	All
23	55-200023	Suction hose 1/4"x1500 white	PVC	All
24	08-100026	Allen screw M6x18 CH RF	A2	All
25	20-302010	Handle	ABS	All
26	08-200606	Set screw M6x16	A2	All
27	08-300602	Disc washer ø6	A2	All
28	010-200200	Plastic plug ø23xø20mm	Nylon	All
32	20-200025	Non-return valve air 1/4"	-	All
38	20-300040	Regulator with filter	Plastic	All
40	17-000012	Gasket 1/4"	PA12	All
41	15-100060	Hexagon nipple 1/4"	Nickel-plated brass	All
42	20-000050	Ball valve 1/4"	Nickel-plated brass	All
43	53-010401	Rinse nozzle System MS10/40	-	3-10 bar
43	53-015301	Rinse nozzle System 15/30 BR	-	10-40 bar
44	53-502000	Foam nozzle System 50/200 BR	-	All
45	15-600061	Elbow 1/4" 90° E/I	Nickel-plated brass	All
46	30-400040	Air nipple, 1/4" outs.thr.	Chrome-plated brass	All
47	30-000010	Female coupling 1/2", internal	AISI 303	All
48	30-000070	Insert 1/2" external thread	16-2-XH	All
49	15-600070	Elbow 1/2" 90° I/I	AISI 316	All
51	48-100082	Trolley for S1 with Cabinet	-	All
52	16-600070	Pin, hair cotter SS	AISI 316	All
53	48-100079	Partition for cannister holder	-	All
54	49-000013	Wheel ø200x50mm	Rubber/Plastic	All
55	49-300040	Wheel bolt ø15	-	All
56	08-200001	Bolt M6x50 6kt RFA2	A2	All
57	04-000177	Spacer ø6/ø25x35 black	PVC-U	All
58	08-000602	Lock nut M6	A2	All
59	04-000092	Plastic knob ø25mm	White PP	All
71	15-010166	Air fitting elbow ø1,5	Nickel-plated brass/Plastic	All
72	55-110040	Air hose ø6mm black	PA12	All
73	15-010071	Air fitting 1/4"x6	Nickel-plated brass/Plastic	All
74	17-000020	O-ring 8x1,25	NBR	All
75	55-110080	Air hose ø4mm black	PA12	All

S1 F no air (trolley without cabinet)



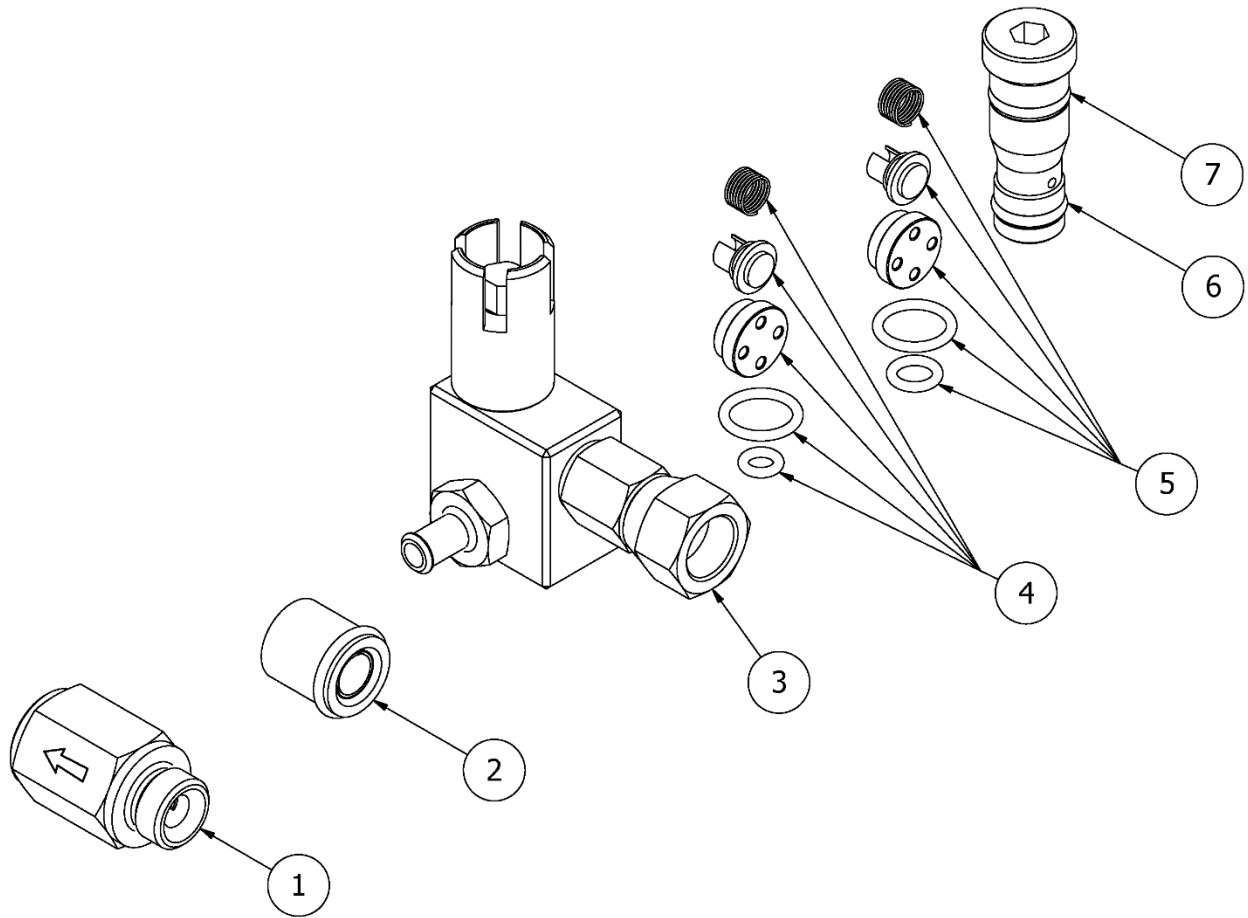
Pos	Number	Description	Material	Version
1	48-100082	Trolley for S1 with Cabinet	-	All
2	20-001000	Valve block	-	All
2.1	20-001010	Valve housing	AISI 316	All
2.2	20-001020	Seal backing 01	AISI 303	All
2.3	20-001050	Ball seal	PTFE with 25% carbon fiber	All
2.4	20-001040	Seal backing 03	AISI 303	All
2.5	20-001030	Seal backing 02	AISI 303	All
2.6	20-001060	Spindle for ball	AISI 303	All
2.7	20-001070	Ball	AISI 316	All
2.8	20-001080	Guide for spindle	PTFE with 25% carbon fiber	All
2.9	20-001090	Holder for spindle guide	POM/black	All
2.10	08-800505	Cheese-head screw M5x10	A2	All
2.11	17-020008	O-ring 30x1,5 EPDM 70 sh	EPDM	All
2.12	17-020007	O-ring 12x1,5 EPDM 70 sh	EPDM	All
2.13	17-020006	O-ring 22x1,5 EPDM 70 sh	EPDM	All
3	04-000193	Washer $\varnothing 18/\varnothing 10,4 \times 5$	PTFE	All
4	20-200170	Non-return valve DN 10	Plastic/EPDM	All
5	17-020080	O-ring 18x2 70 shore	EPDM	All
6	20-500060	Strainer 1/2" brass 300 μm (E/I)	Nickel-plated brass	3-10 bar
7	27-000217	Injection cartridge $\varnothing 2,5$ PSU	PSU/EPDM	3-6 bar
7	27-000201	Injection cartridge $\varnothing 1,5$ PSU	PSU/EPDM	10-40 bar
8	17-020009	O-ring 48,9x2,62 EPDM 70 sh	EPDM	All
9	20-001100	Outlet valve housing	AISI 303	All
10	30-000053	Coupling, outlet 1/2" SS	AISI 303	All
11	16-501804	Plug 1/8"	Nickel-plated brass	All
12	15-300012	Hose clip for 1/4"	PVC	All
13	04-000081	Diaphragm nipple	EPDM	All
14	27-300040	Suction filter $\varnothing 6,5$	AISI 316	All
15	08-100026	Allen screw M6x18 CH RF	A2	All
16	20-302020	Handle	ABS	All
17	08-200606	Set screw M6x16	A2	All
18	08-300602	Disc washer $\varnothing 6$	A2	All
19	010-200200	Plastic plug $\varnothing 23 \times \varnothing 20 \text{mm}$	Nylon	All
20	49-000013	Wheel $\varnothing 200 \times 50 \text{mm}$	Rubber/Plastic	All
21	49-300040	Wheel bolt $\varnothing 15$	-	All
22	04-000092	Plastic knob $\varnothing 25 \text{mm}$	White PP	All
23	48-100079	Partition for cannister holder	-	All
24	16-600070	Pin, hair cotter SS	AISI 316	All
25	53-010401	Rinse nozzle System MS10/40	-	3-10 bar
25	53-015301	Rinse nozzle System 15/30 BR	-	10-40 bar
26	30-000070	Insert 1/2" external thread	16-2-XH	All
27	15-600070	Elbow 1/2" 90° I/I	AISI 316	All
29	57-200060	Foam booster with SC coupling	-	All
30	52-160300	Disinfection nozzle KS60/30	-	All
31	55-200004	Suction hose 1/4"x800mm white	PVC	All
32	182-900010-01	Spring 0.25x4.1x6.3x5V SS	AISI 316	All
33	182-900010-02	Ball $\varnothing 5$	AISI 316	All
34	173-000010	O-ring 8x1 for hose	EPDM	All
35	182-000180-01	Hose nipple 1/8"	AISI 316	All
36	17-020040	O-ring 4x1 70 sh	EPDM	All
37	294-100000	Set of chemical limiter (7)	PVC	All

S1 F (option 3 suction tubes)



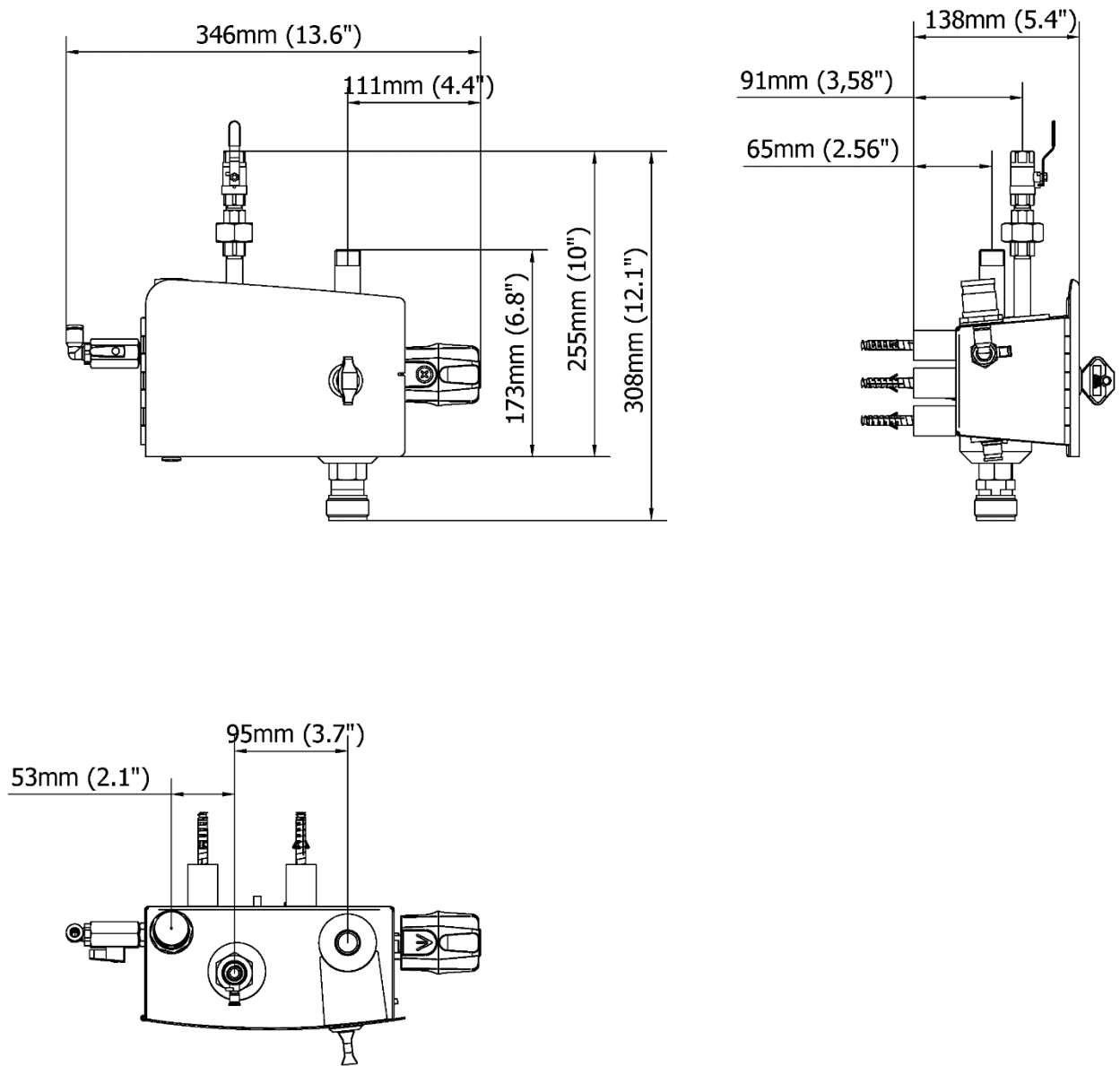
Pos	Number	Description	Material	Version
1	46-500310	Housing S1	AISI 304	All
2	15-601192	Chemical elbow	AISI 316	All
3	17-020065	O-ring 14x2 70 sh	EPDM	All
4	30-000080	Coupling for suction hose 3/8", EPDM	-	EPDM
4	30-000081	Coupling for suction hose 3/8", Viton	-	Viton
5	294-100000	Set of chemical limiter (7)	PVC	All
6	16-800120	Nipple with cone 1/8"	AISI 316	All
7	15-600020-02	Nut for elbow	AISI 304	All
8	55-201090	Suction hose 1/4"x1650 blue, EPDM	-	EPDM
8	55-201091	Suction hose 1/4"x1650 blue, Viton	-	Viton
9	55-201080	Suction hose 1/4"x1650 red, EPDM	-	EPDM
9	55-201081	Suction hose 1/4"x1650 red, Viton	-	Viton
10	55-201070	Suction hose 1/4"x1650 yellow, EPDM	-	EPDM
10	55-201071	Suction hose 1/4"x1650 yellow, Viton	-	Viton

RECOMMENDED SPARE PARTS

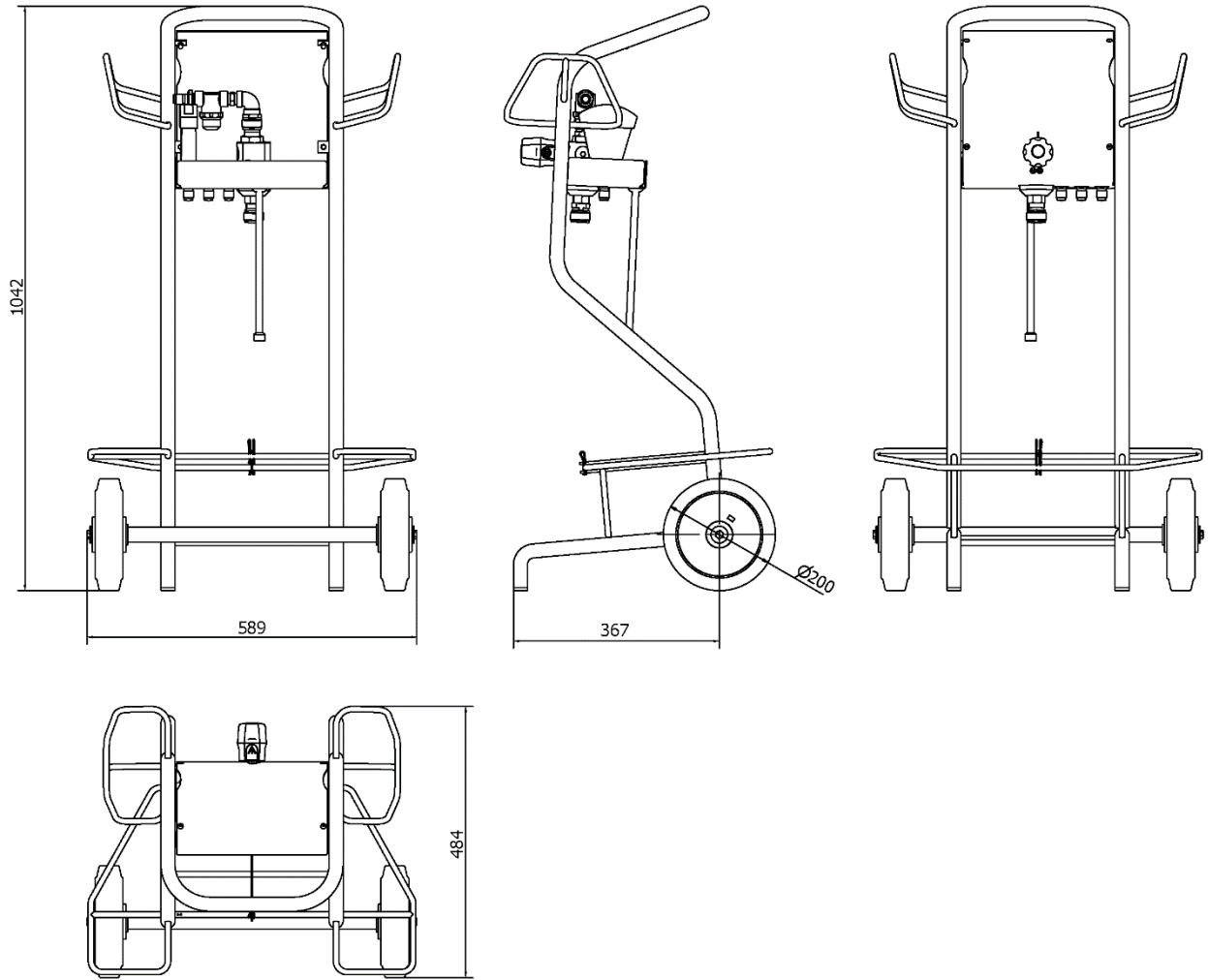


Pos	Number	Description	Material
1	20-200025	Non-return valve air 1/4"	-
2	20-200170	Non-return valve DN 10	Plastic/EPDM
3	20-400056	Dosing valve concentrated S1	AISI 316/Viton
4	30-000084	Kit coupling 30-00080	EPDM
5	30-000085	Kit coupling 30-00081	Viton
6	17-030054	O-ring 9x2 Viton 75 sh	Viton
6	17-020054	O-ring 9x2 70 sh	EPDM
7	17-030055	O-ring 10x2 Viton 75 sh	Viton
7	17-020055	O-ring 10x2 70 shore	EPDM

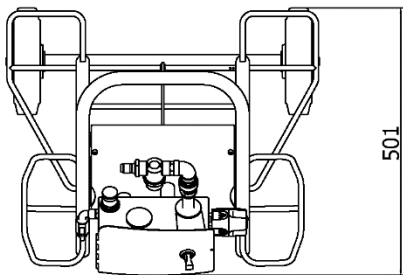
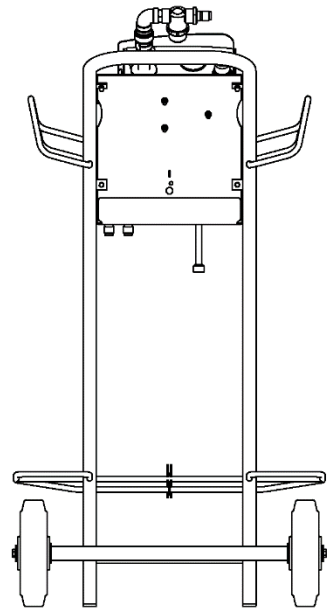
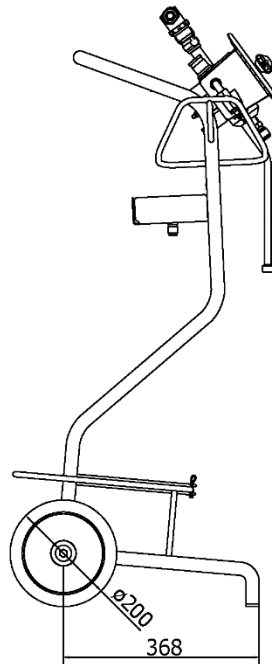
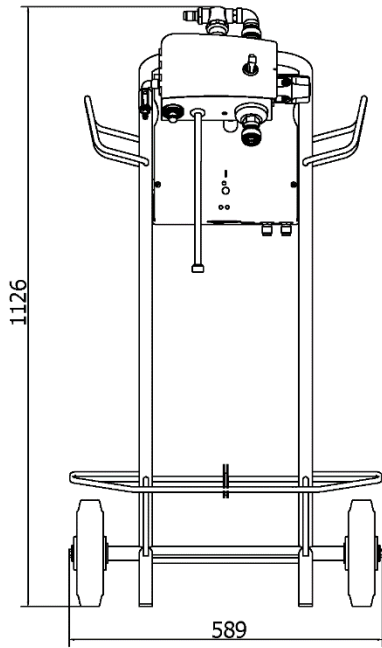
TECHNICAL SPECIFICATIONS WALL



TECHNICAL SPECIFICATIONS TROLLEY WITHOUT CABINET



TECHNICAL SPECIFICATIONS TROLLEY WITH CABINET



TECHNICAL SPECIFICATIONS WALL

Model	S1	S1
Installation		
Ambient temperature	3-40°C / 37-104°F	
Connections		
Air inlet	Ø8	1/4" NPT
Water inlet	1/2" BSP	1/2" NPT
Pre-diluted chemical inlet	1/4" BSP	1/4" NPT
Outlet	SC coupling	
Water		
Maximum pressure	40 bar / 580 psi	
Temperature	3-70°C / 37-160°F	
Minimum recommended flow	30 liter/min / 7.9 USgal/min	
Air		
Pressure	5-10 bar / 72-145 psi	
Minimum flow	150 liter/min / 5.3 cfm	
Chemical		
Max. pressure pre-diluted	12 bar / 174 psi	
Dosing range	0.2-6%*	
Outlet hose		
Water pressure 3-6 bar / 44-87 psi	3/4", 10-15 m / 33-49 ft	
Water pressure 3-8 bar / 44-116 psi	3/4", 10-15 m / 33-49 ft	
Water pressure 15-40 bar / 44-580 psi	1/2", 10-35 m / 33-115 ft	
Dimensions		
Weight	5 kg / 11 lbs	

*depending on product, temperature, viscosity, density, and conditions for pressure.

TECHNICAL SPECIFICATIONS TROLLEY

Model	S1	S1
Installation		
Ambient temperature	3-40°C / 37-104°F	
Connections		
Air inlet	1/4" Air nipple	1/4" Air nipple
Water inlet	1/2" Insert	1/2" Insert
Outlet	SC coupling	
Water		
Maximum pressure	40 bar / 580 psi	
Temperature	3-70°C / 37-160°F	
Minimum recommended flow	30 liter/min / 7.9 USgal/min	
Air		
Pressure	5-10 bar / 72-145 psi	
Minimum flow	150 liter/min / 5.3 cfm	
Chemical		
Max. pressure pre-diluted	12 bar / 174 psi	
Dosing range	0.2-6%*	
Outlet hose		
Water pressure 3-6 bar / 44-87 psi	3/4", 10-15 m / 33-49 ft	
Water pressure 3-8 bar / 44-116 psi	3/4", 10-15 m / 33-49 ft	
Water pressure 15-40 bar / 44-580 psi	1/2", 10-35 m / 33-115 ft	
Dimensions		
Weight without cabinet	17,5 kg / 38.6 lbs	
Weight with cabinet	18 kg / 39.7 lbs	

*depending on product, temperature, viscosity, density, and conditions for pressure.

Chemical Reduction Nozzles

Before the system is started the dosage of the detergent must be determined. The following list shows the approximate dosage percentages for chemistry:

Colour	Dosage [%]	Order no.
Purple	0.8	294-000010
Blue	1.3	294-000003
Dark brown	1.7	294-000011
Orange	2.3	294-000012
Brown (mounted by delivery)	3.7	294-000013
White	5.3	294-000005
Red	7.4	294-000004

The above mentioned dosage percentages for chemistry are intended values and are depending on the type and viscosity of the detergent.

If a different dosing percentage than the one supplied by the nozzle for chemical limitation—being installed from the factory—should be required, the suction filter at the end of the hose for detergent must be disassembled. The chemical limit nozzle must be screwed off the suction filter and another nozzle can be mounted instead.



Member of AxFlow Group

System Cleaners A/S

Halkjærvej 17
DK-9200 Aalborg SV
Denmark

Tel.: +45 96 34 04 04

info@systemcleaners.com

www.systemcleaners.com

Please note:

We reserve the right to make alterations to the technical specifications without notice.