

Manual S3

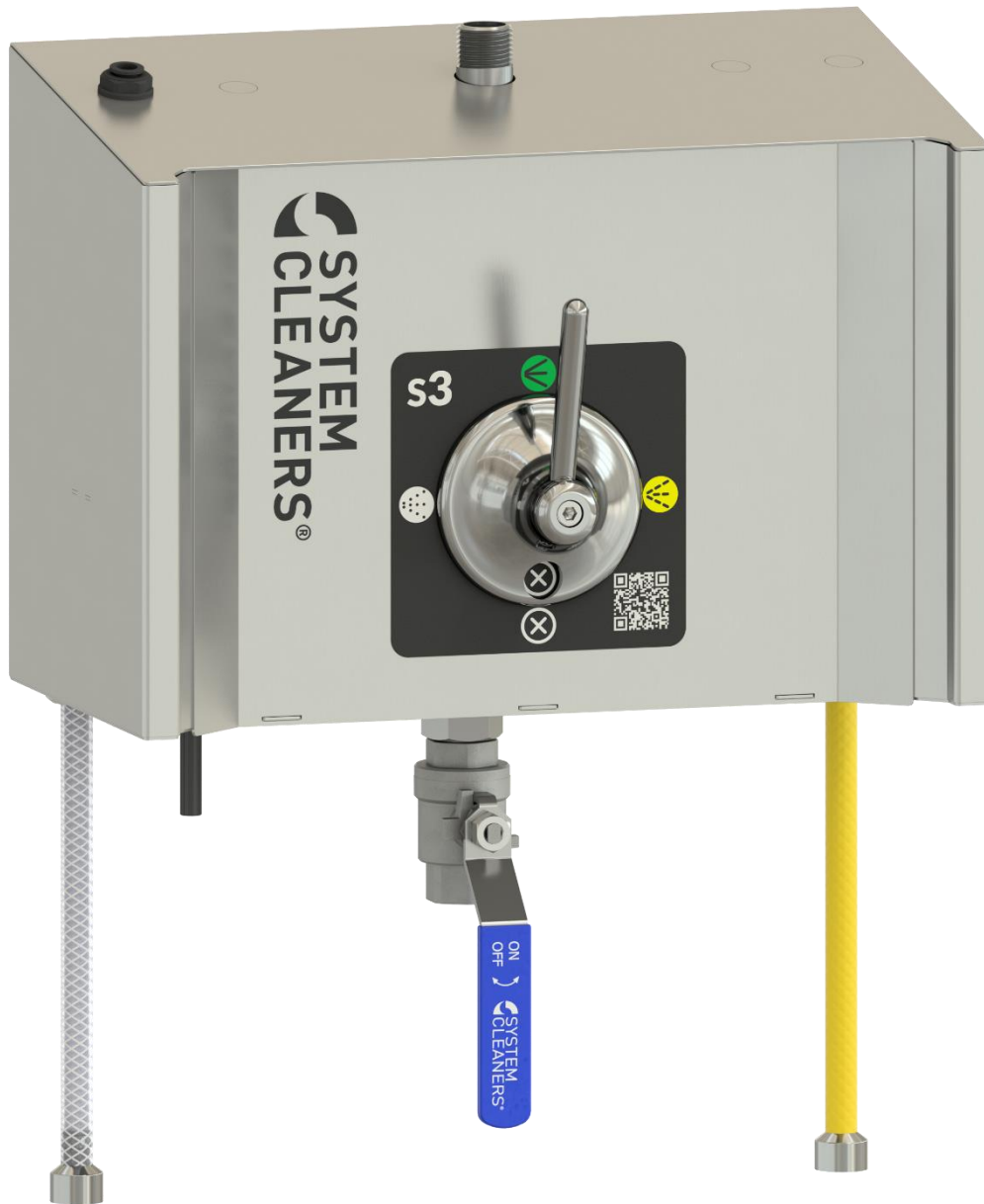


Table of content

| | |
|--|----|
| Title page | 1 |
| Table of contents | 2 |
| Introduction | 3 |
| General..... | 3 |
| Proper use | 3 |
| Liability..... | 3 |
| Safety | 3 |
| Warranty | 3 |
| Labelling | 3 |
| Declaration..... | 3 |
| Safety information | 4 |
| Safety symbols | 4 |
| General..... | 4 |
| Risk assessment | 4 |
| Machine overview | 5 |
| Main function elements | 5 |
| Technical data | 6 |
| Flow diagram..... | 7 |
| Flow diagram ID | 8 |
| Transportation, handling, storage | 9 |
| Installation | 10 |
| Operation | 11 |
| Dosing valve setting | 11 |
| Quick guide F D | 12 |
| Quick guide F F..... | 13 |
| Quick guide PF PD..... | 14 |
| Quick guide PF PF | 15 |
| Quick guide PF D..... | 16 |
| Quick guide PF F | 17 |
| Quick guide Sep. F | 18 |
| Quick guide Sep. D..... | 19 |
| Quick guide Sep. PF | 20 |
| Quick guide Sep. PD..... | 21 |
| Maintenance | 22 |
| Non-return valves | 22 |
| Suction hose and suction filter | 22 |
| Hose..... | 22 |
| Low pressure valve / gun | 22 |
| Injector | 22 |
| Service kits | 22 |
| Quick guide open lid..... | 23 |
| Quick guide removal of water non-return valve..... | 24 |
| Quick guide descaling water nozzle | 25 |
| Troubleshooting..... | 26 |
| Disposal | 27 |

General

For safety during installation and later use it is very important that installation, operating, and maintenance instructions are carefully followed.

You are requested to keep this instruction manual at a location where it will be available at all times, and it should be submitted to the person who is responsible for this product. In the event that the instruction manual is lost, you are welcome to order a new one from your dealer.

If any doubt should arise with regard to the content of these instructions, please contact the distributor.

Proper use

System Cleaners' system is exclusively designed to use water and cleaning agents. All other forms of application or use not within the scope of the above are considered to be improper and inconsistent with the requirements and regulations and may lead to hazardous situations.

System Cleaners A/S cannot be held liable for consequential damage resulting from improper use of the equipment.

Proper use includes the following:

- The instructions, regulations and recommendations concerning the system stated in the instruction manual
- Observance of the specified inspection and maintenance intervals
- Correct maintenance of good operating condition of the system
- Observance of the specified environmental and operating conditions

Proper use also includes observance of all information that is stated in this instruction manual. This applies in particular to the specified safety instructions.

Liability

Each user must handle and use the system in a responsible manner.

It is therefore of great importance that this instruction manual is available to the sanitation employee concerned at all times.

Safety

The design of the system complies with generally accepted technical regulations and provisions concerning the working environment and accident prevention. Despite this, risks can occur during use that can lead to physical inconvenience for the user or a third party or have an impact on the machine or other equipment. The system must therefore be in prime technical condition before use and may only be used in accordance with its purpose and with strict observance of the safety requirements and operating instructions. In particular, malfunctions and irregularities that can affect safety must be remedied immediately.

Warranty

Please refer to the General Terms and Conditions applicable at any time.

Labelling

The system is equipped with type plate containing technical data.

The type plate is located on a fixed part of the system.

Declaration

We declare that this product is in conformity with the following directives:

- 2006/42/EC Directive on Machinery

Brian Lund
Solution and Development Manager



System Cleaners A/S
Halkjærvej 17
DK-9200 Aalborg SV
Denmark
Tel: +45 96 34 04 04

info@systemcleaners.com
www.systemcleaners.com

Safety information



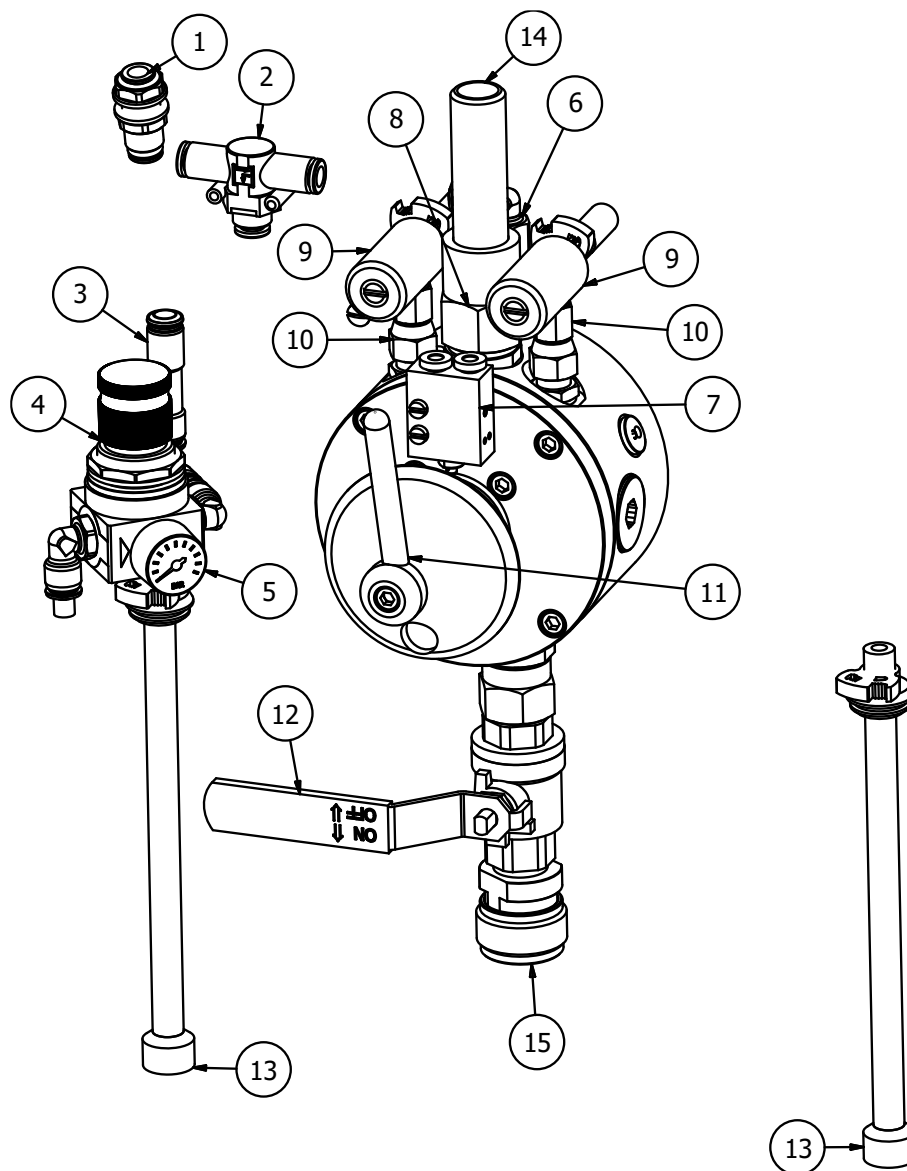
General:

This unit must only be operated by trained professionals or well instructed users.
Service must only be carried out by trained professionals or well instructed maintenance staff.

Risk assessment:

1. Always wear safety glasses, gloves and suitable clothing when using the system (PPE)
 - Danger of getting chemicals in eyes (HIGH RISK)
 - Danger of getting high pressure water in eyes (HIGH RISK)
 - Danger of getting chemicals on skin (HIGH RISK)
2. Never point the nozzle at persons or electrical installation
 - Danger of getting chemicals in eyes (HIGH RISK)
 - Danger of getting high pressure water in eyes (HIGH RISK)
 - Danger of getting chemicals on skin (HIGH RISK)
 - Danger of electrical shock (HIGH RISK)
3. The lid must be closed at all times
 - Danger of air hose failure (MED. RISK)
 - Danger of high-pressure water in case of failure (MED. RISK)
4. Water Non-return valve must be checked at least once every month
 - Danger of chemical in fresh water supply (HIGH RISK)
5. Air Non-return valves must be checked at least once every month
 - Danger of chemical or water in air supply (HIGH RISK)

Main function elements



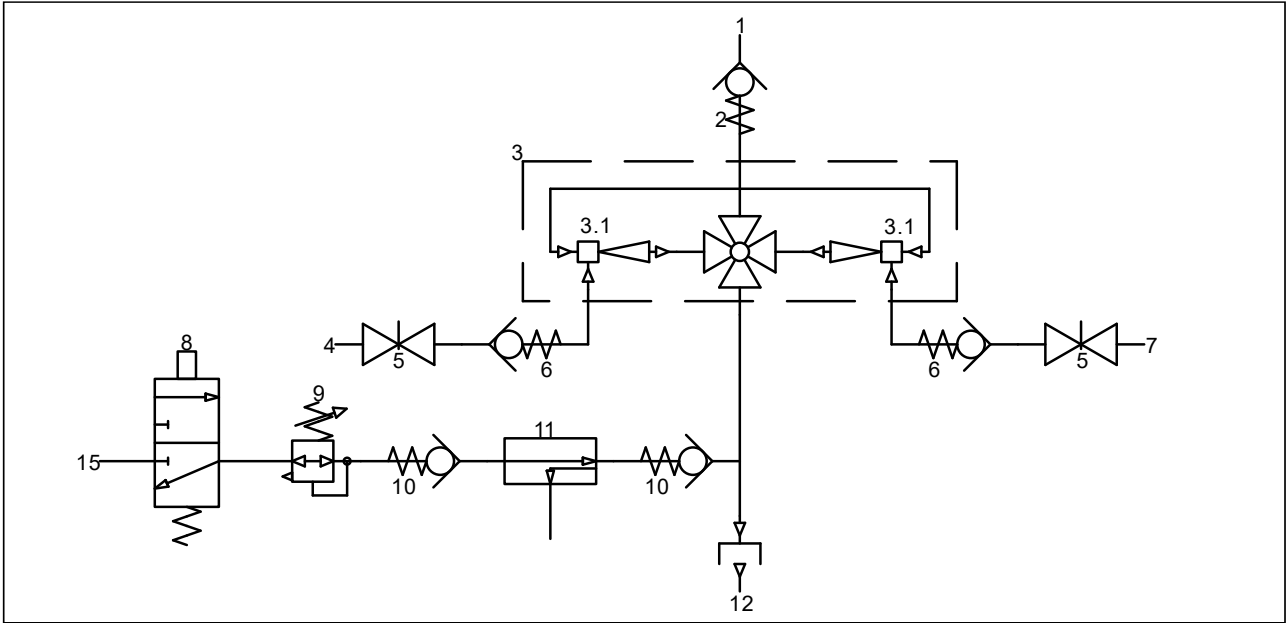
| ID | Description |
|----|---------------------------|
| 1 | Air inlet |
| 2 | Backflow preventer |
| 3 | Air non-return valve 1 |
| 4 | Air pressure regulator |
| 5 | Pressure gauge |
| 6 | Air non-return valve 2 |
| 7 | Air valve |
| 8 | Water non-return valve |
| 9 | Chemical dosing valve |
| 10 | Chemical non-return valve |
| 11 | Function selector |
| 12 | Outlet ball valve |
| 13 | Chemical strainer |
| 14 | Water inlet |
| 15 | Outlet |

Technical data

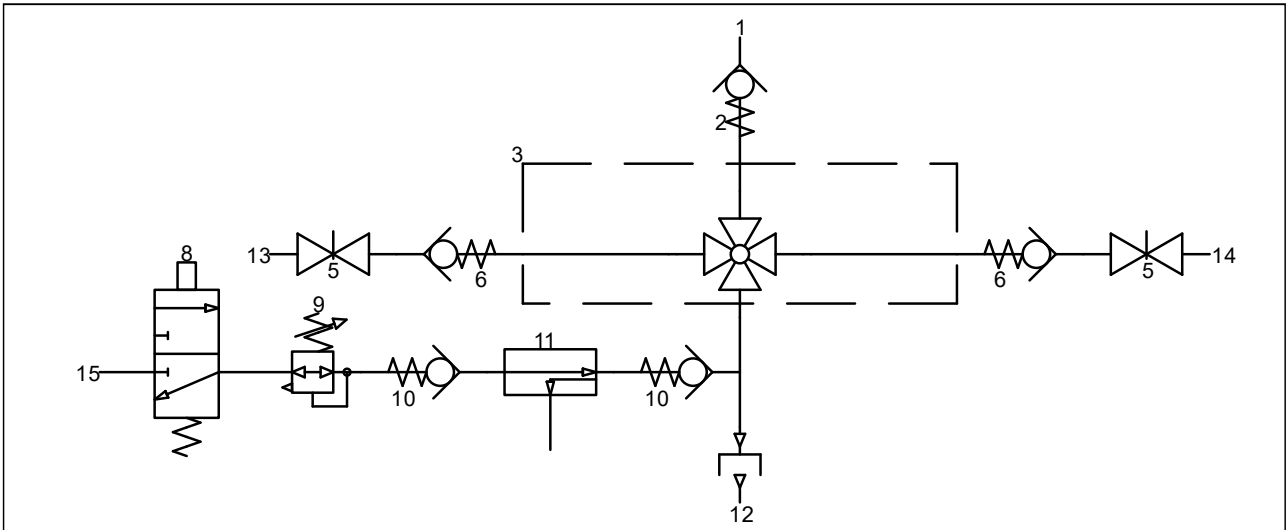
| | Unit | Value |
|--|------------------------|----------------------------|
| Installation | | |
| Ambient temperature | C° / F° | 3-40 / 37-104 |
| Connections | | |
| Air inlet | mm / thread | Ø8 / 1/4" NPT |
| Water inlet | | 1/2" BSPT / 1/2" NPT |
| Pre-diluted inlet | | 1/4" BSPT / 1/4" NPT |
| Outlet | | SC coupling |
| Water | | |
| Maximum pressure | Bar / psi | 40 / 580 |
| Temperature | C° / F° | 3-70 / 37-160 |
| Minimum recommended flow | liters/min / USgal/min | 30 / 7,9 |
| Air | | |
| Pressure | Bar / psi | 5-10 / 72-145 |
| Minimum flow | liters/min / cfm | 150 / 5,3 |
| Chemical | | |
| Max. pressure pre-diluted | bar / psi | 12 / 174 |
| Dosing range concentrated | % | 0,2-6 (Depending chemical) |
| Outlet hose | | |
| Water pressure 3-8 bar / 44-116 psi | 3/4", m / ft | 10-15 / 33-49 |
| Water pressure 15-25 bar / 218-580 psi | 1/2", m / ft | 10-35 / 33-115 |
| Weight and measurements | | |
| Weight | kg / lbs | 10,8 / 23.8 |
| Dimension HxLxD | mm / inch | 375x335x205 / 15x13x8 |

Flowdiagram

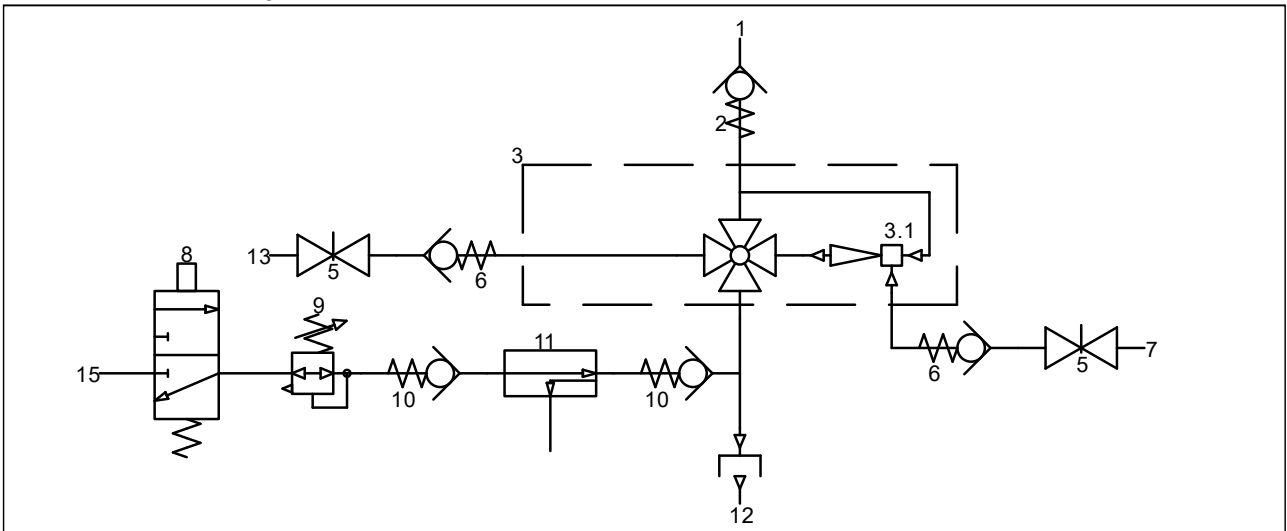
S3 2 x Concentrated chemicals



S3 2 x Pre-diluted chemical



S3 1 x Concentrated & 1 x pre-diluted



| ID | Description |
|-----------|--|
| 1 | Water inlet |
| 2 | Water non-return valve |
| 3 | Ball valve unit |
| 4 | Concentrated chemical 1 |
| 5 | Dosing valve |
| 6 | Concentrated chemical non-return valve |
| 7 | Concentrated chemical inlet 2 |
| 8 | Air valve |
| 9 | Air regulator |
| 10 | Air non-return valve |
| 11 | Backflow preventer |
| 12 | Outlet |
| 13 | Pre-diluted chemical 1 |
| 14 | Pre-diluted chemical 2 |

Transport, handling, storage

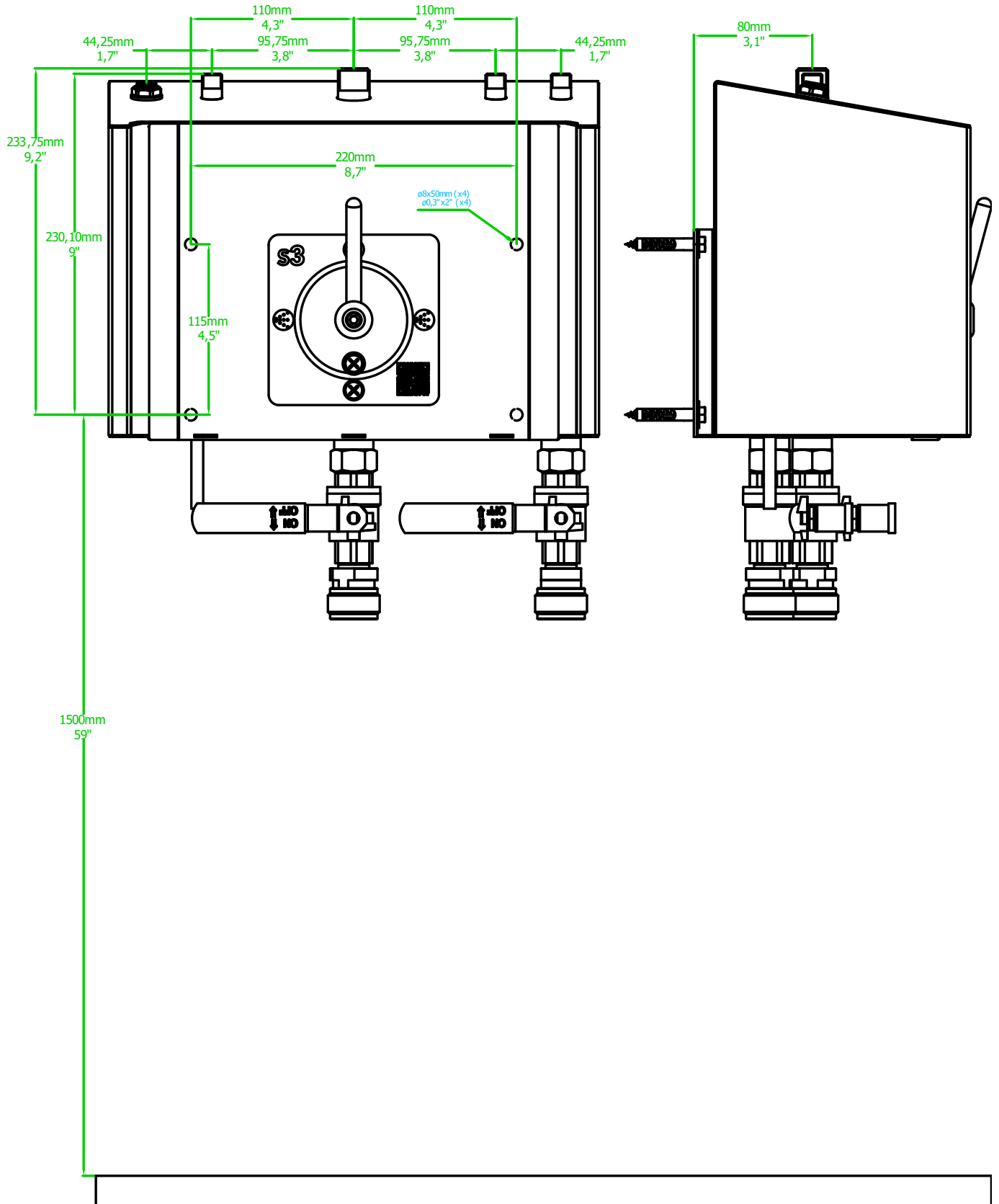
Transport and handling

Attention must be paid when lifting the system, due to it's relative high weight

Storage

When storing the system, the ambient temperature must be kept above freezing point.
After long time storage the system must be flushed before using it in the production.

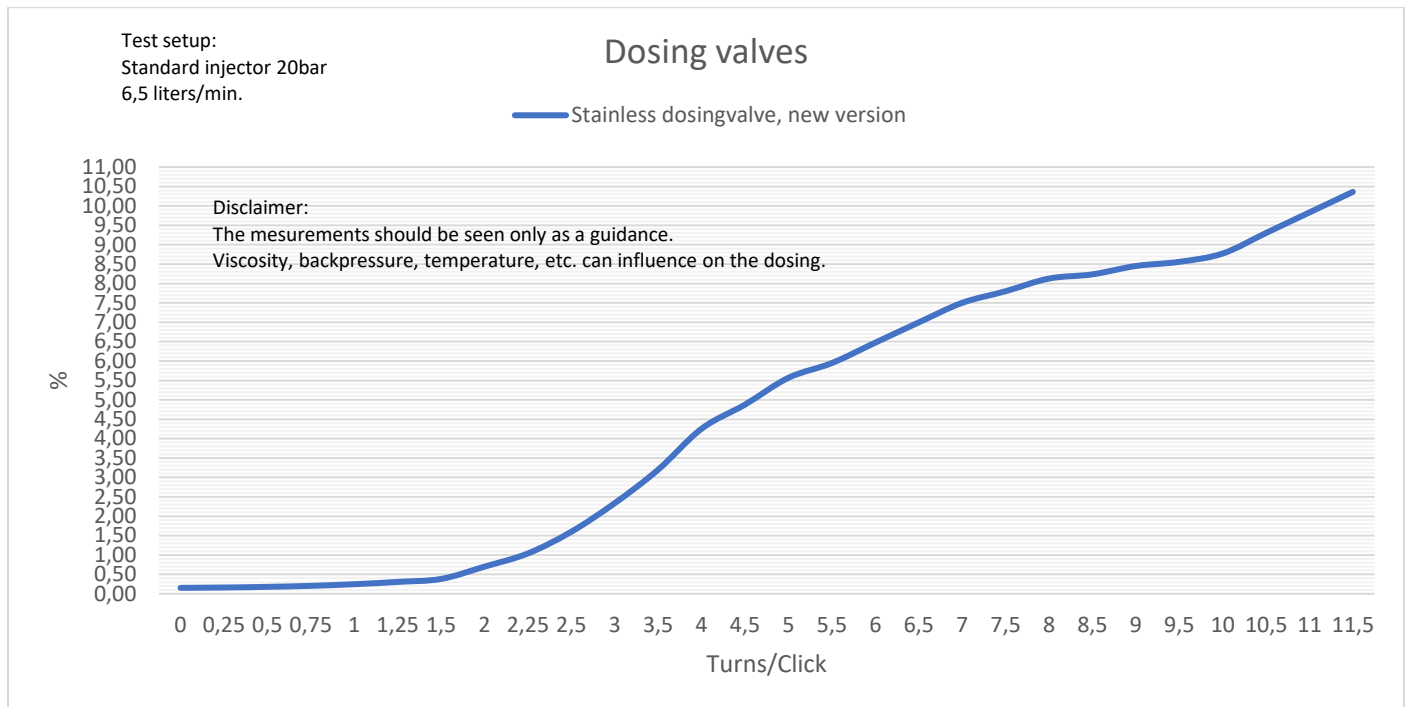
Installation



| Part number | Installation kit |
|-------------|--|
| 96-010090 | 2 x Concentrated chemical |
| 96-010091 | 1 x Concentrated chemical & 1 x pre-diluted chemical |
| 96-010092 | 2 x pre-diluted chemical |
| 96-010093 | 3 x pre-diluted chemical |

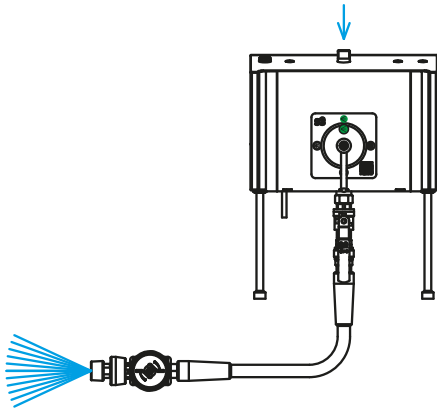
Operation

Dosing valve

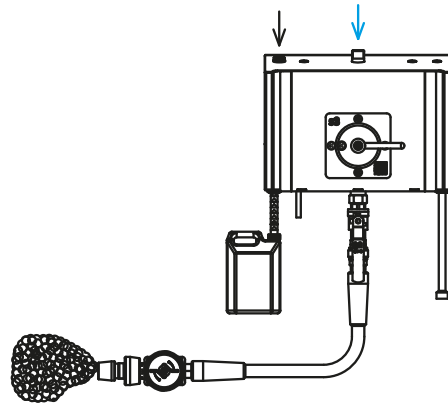


Quick guide F D

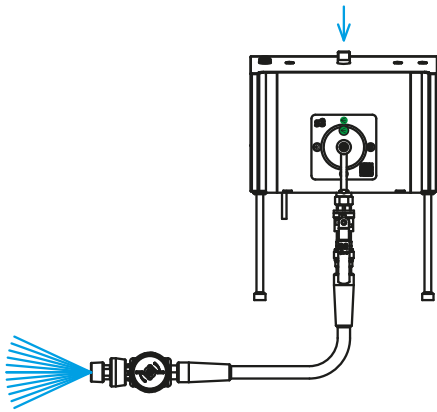
Step 1 – Pre-rinse



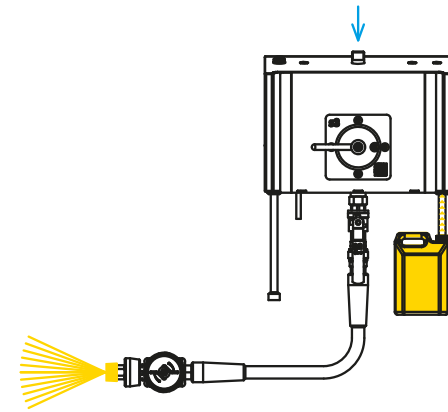
Step 2 – Foam



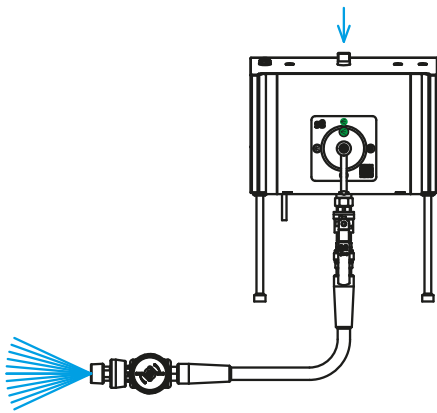
Step 3 – Rinse



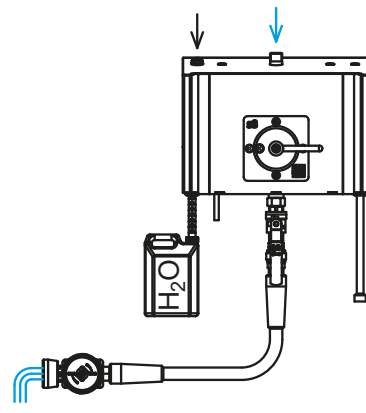
Step 4 – Disinfection



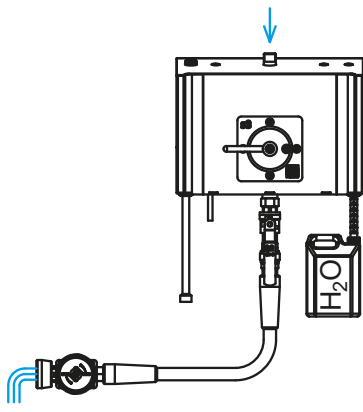
Step 5 – Rinse



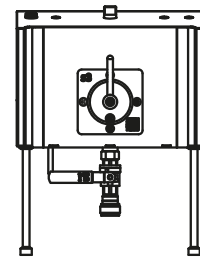
Step 6 – Chemical 1 flush



Step 7 – Chemical 2 flush

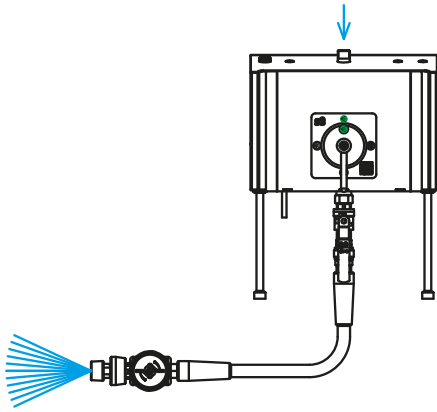


Step 8 – Close all valves

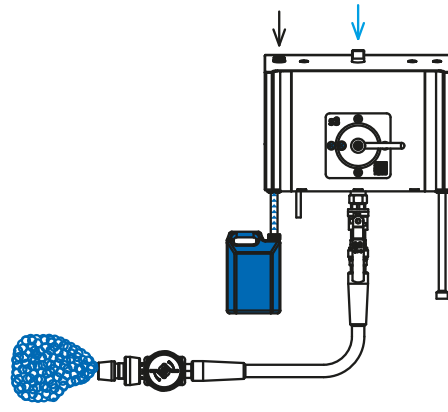


Quick guide F F

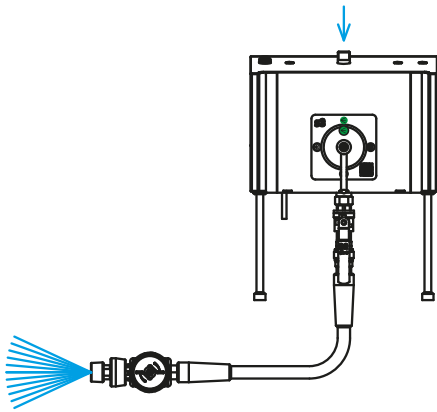
Step 1 – Pre-rinse



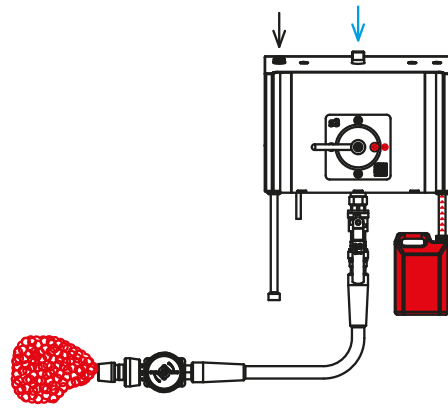
Step 2 – Foam 1



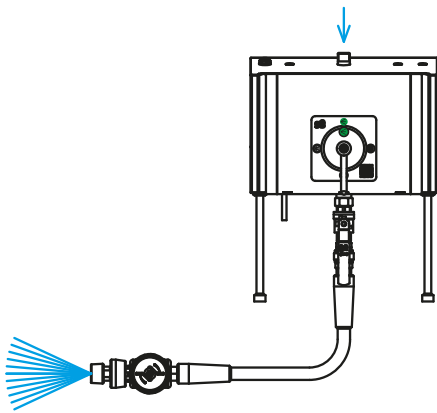
Step 3 – Rinse



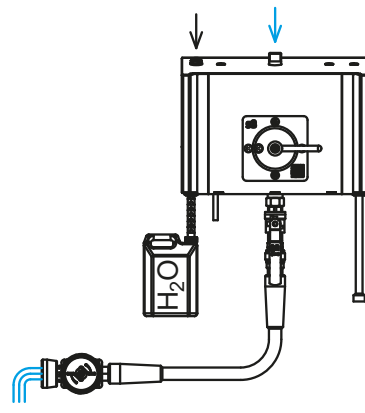
Step 4 – Foam 2



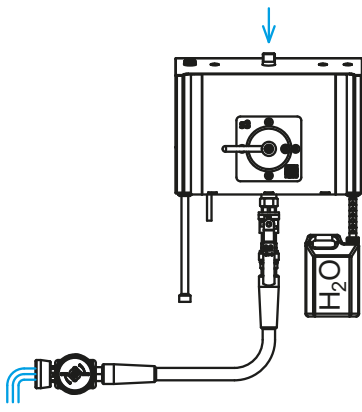
Step 5 – Rinse



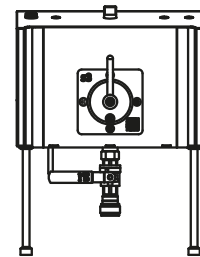
Step 6 – Chemical 1 flush



Step 7 – Chemical 2 flush

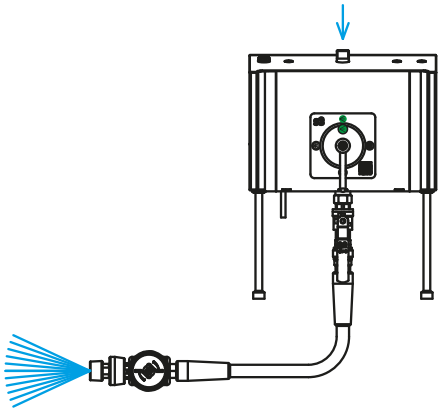


Step 8 – Close all valves

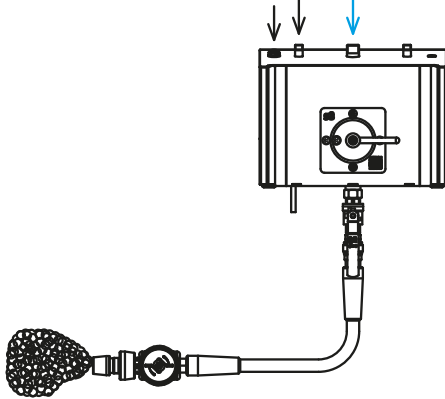


Quick guide PF PD

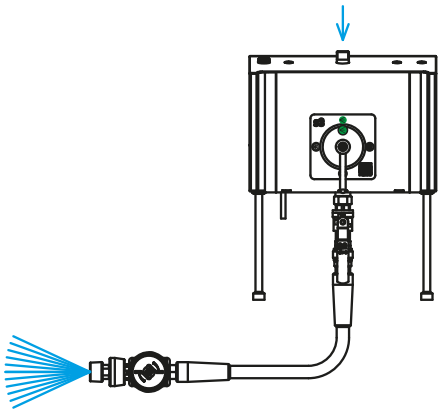
Step 1 – Pre-rinse



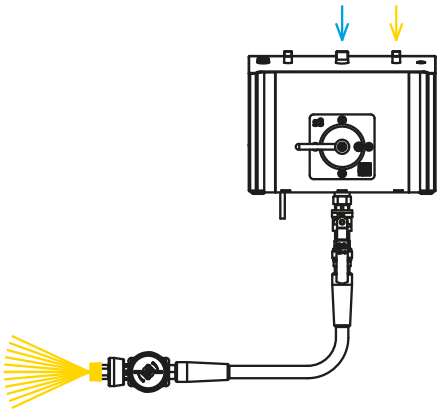
Step 2 – Foam



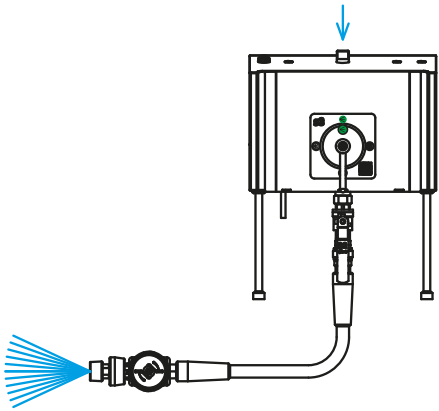
Step 3 – Rinse



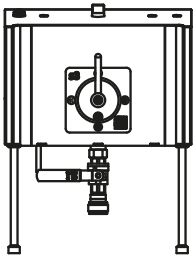
Step 4 – Disinfection



Step 5 – Rinse

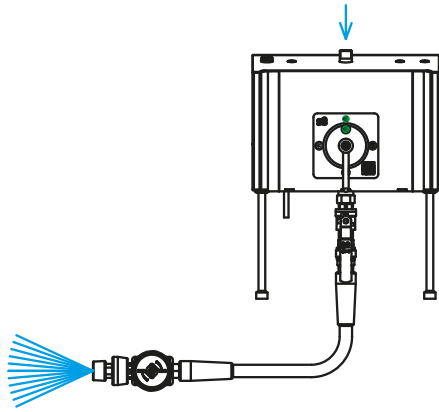


Step 6 – Close all valves

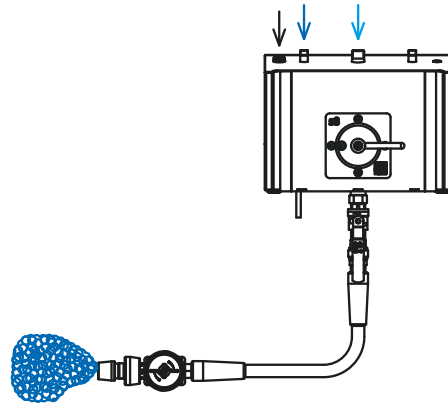


Quick guide PF PF

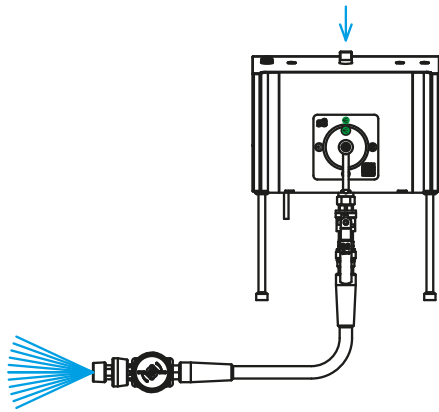
Step 1 - Pre-rinse



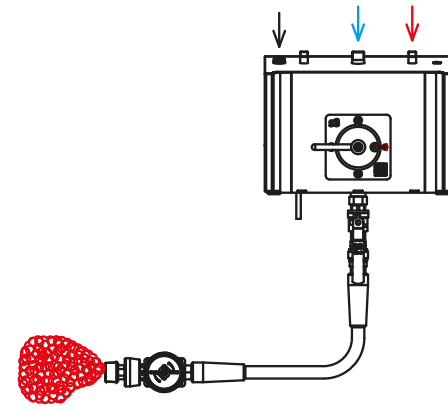
Step 2 - Foam 1



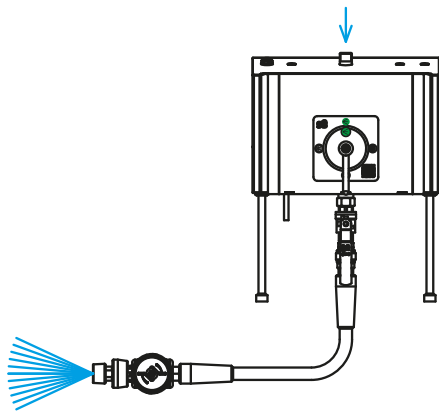
Step 3 - Rinse



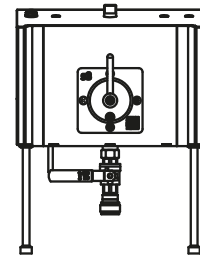
Step 4 - Foam 2



Step 5 - Rinse

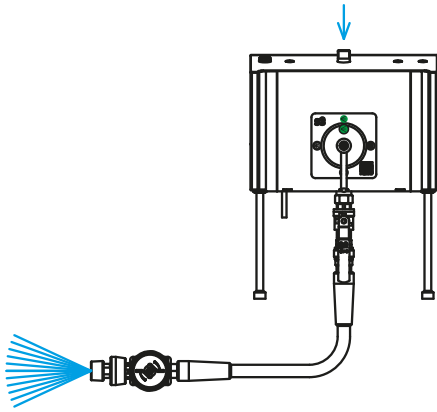


Step 6 - Close all valves

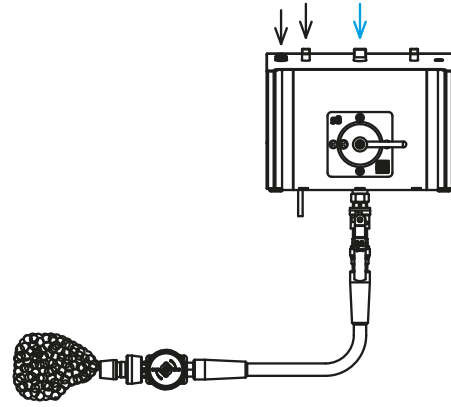


Quick guide PF D

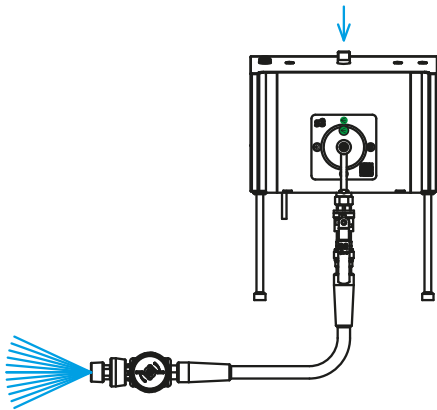
Step 1 - Pre-rinse



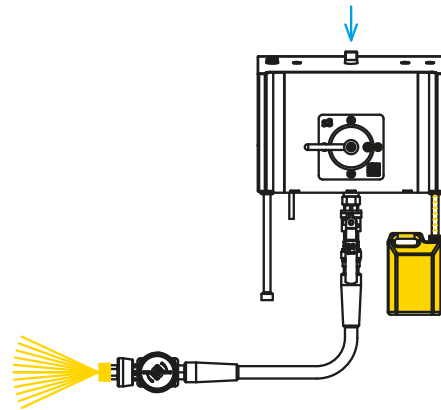
Step 2 - Foam 1



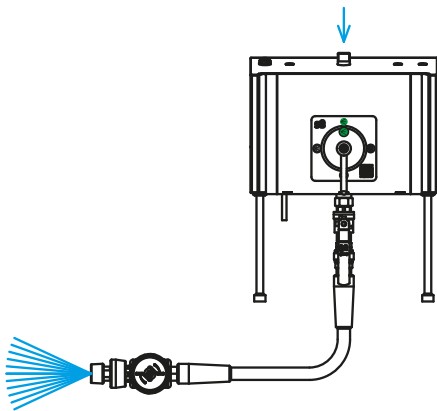
Step 3 - Rinse



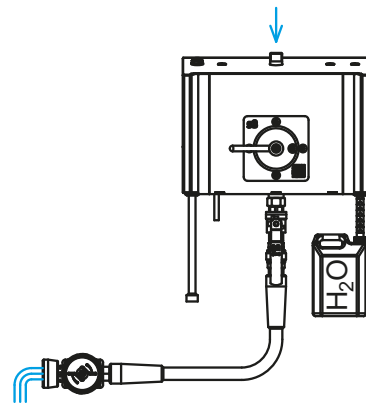
Step 4 - Disinfection



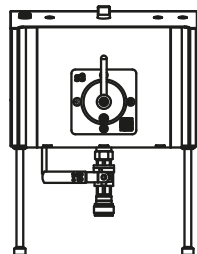
Step 5 - Rinse



Step 6 - Chemical 2 flush

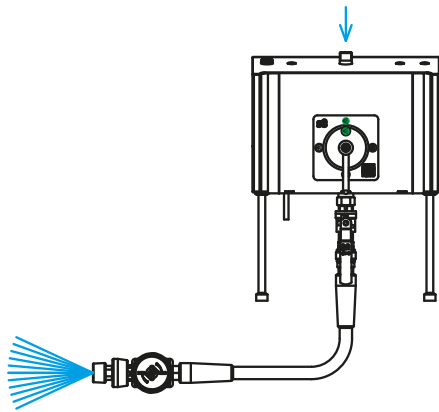


Step 7 - Close all valves

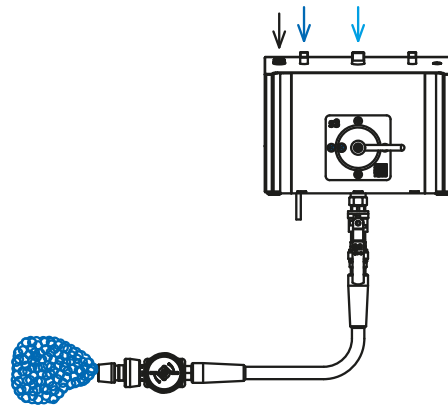


Quick guide PF F

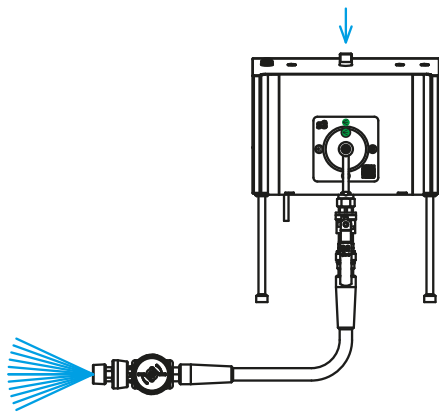
Step 1 - Pre-rinse



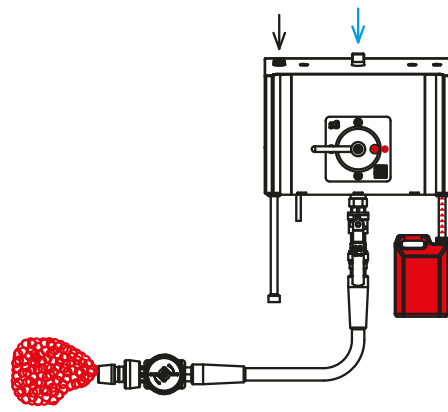
Step 2 - Foam 1



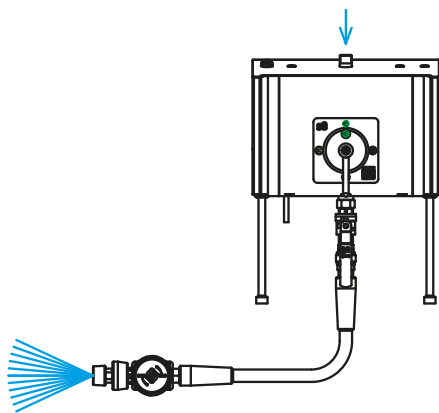
Step 3 - Rinse



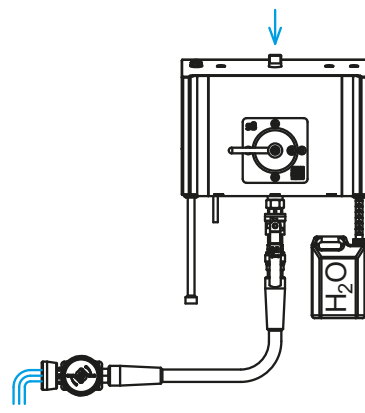
Step 4 - Foam 2



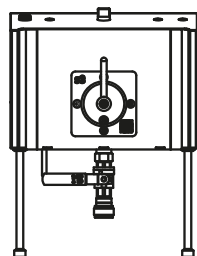
Step 5 - Rinse



Step 6 - Chemical 2 flush

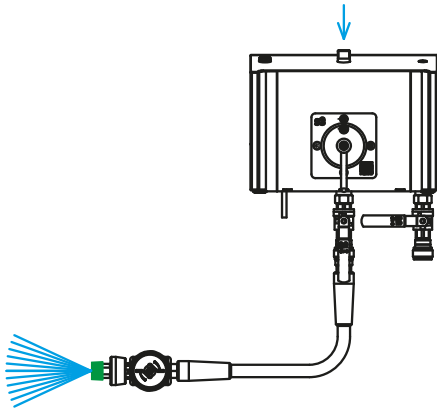


Step 7 - Close all valves

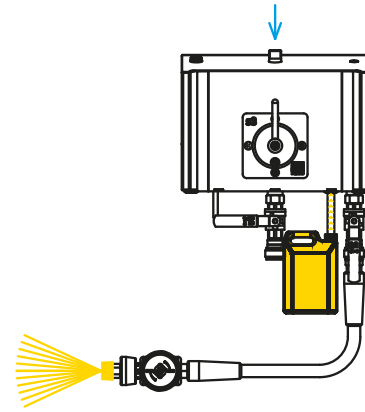


Quick guide Sep. D

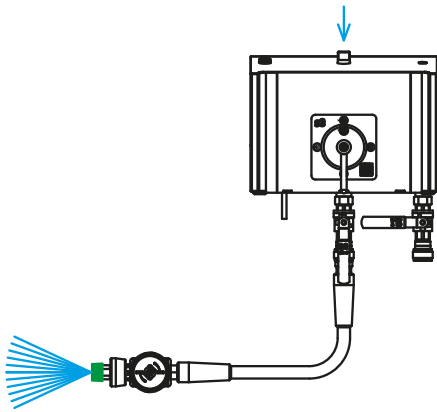
Step 1 – Pre-rinse



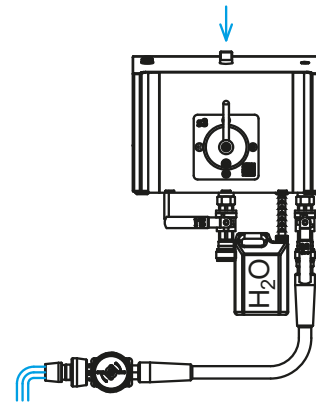
Step 2 – Disinfection



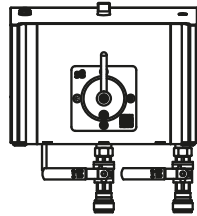
Step 3 – Rinse



Step 4 – Flush

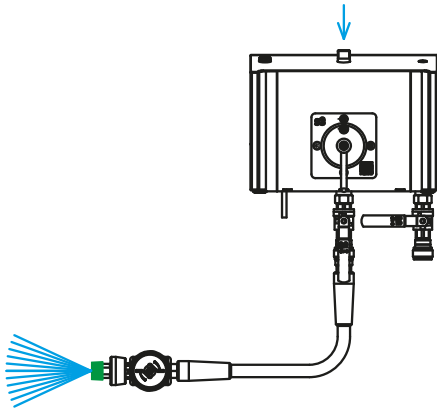


Step 5 – Close all valves

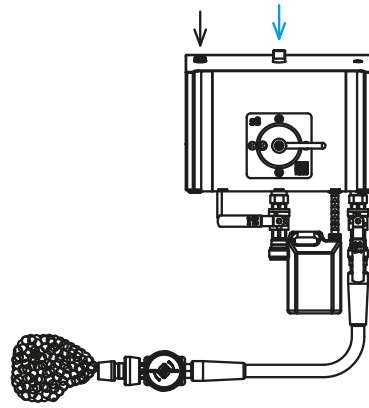


Quick guide Sep. F

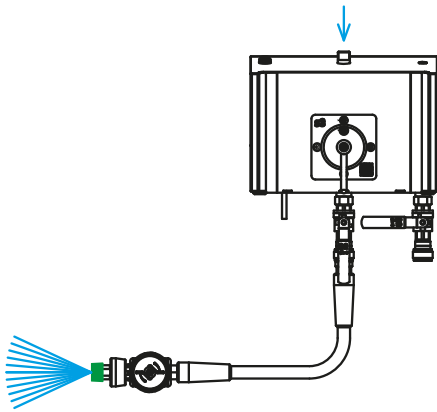
Step 1 – Pre-rinse



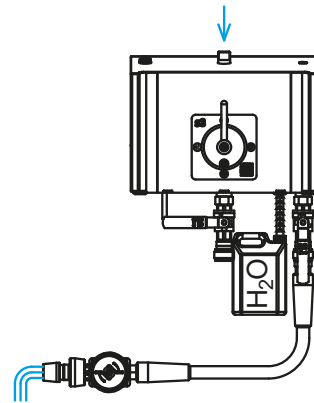
Step 2 – Foam



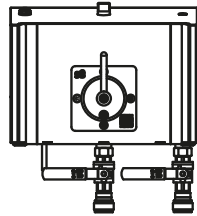
Step 3 – Rinse



Step 4 – Flush

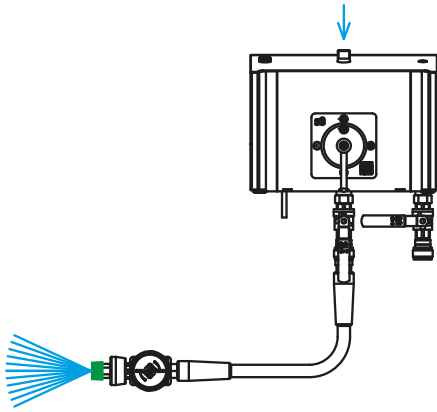


Step 5 – Close all valves

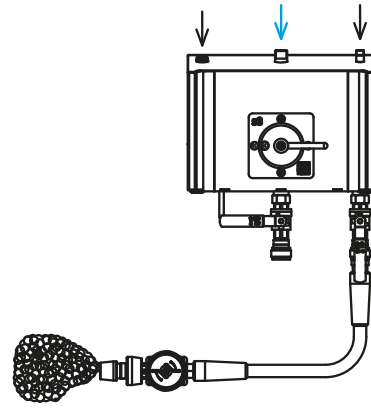


Quick guide Sep. PF

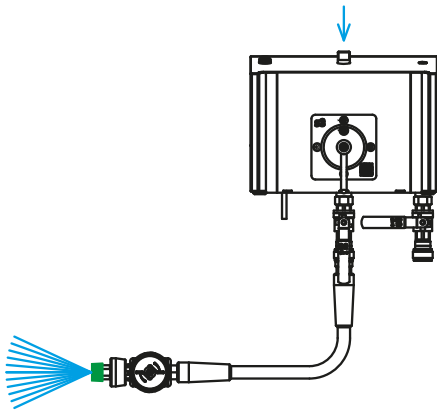
Step 1 - Pre-rinse



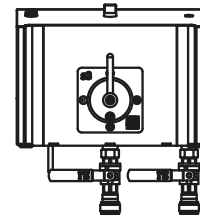
Step 2 - Foam 1



Step 3 - Rinse

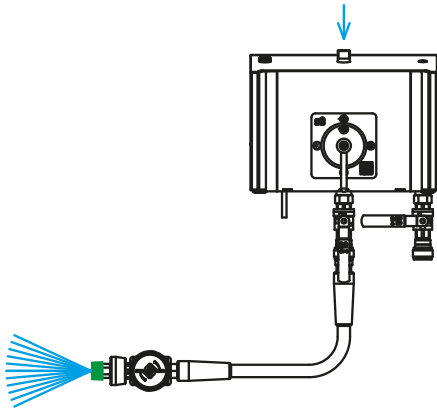


Step 4 - Close all valves

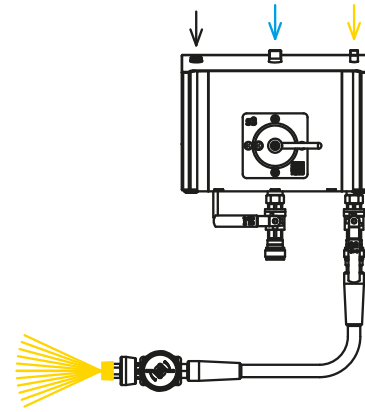


Quick guide Sep. PD

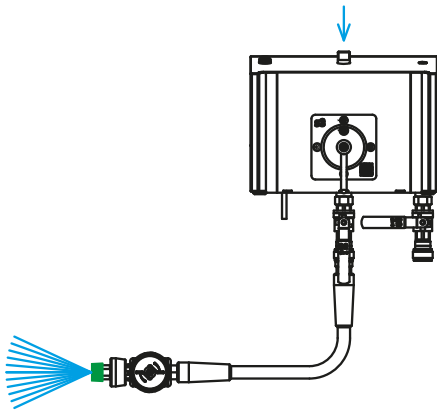
Step 1 - Pre-rinse



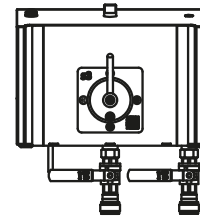
Step 2 - Disinfection



Step 3 - Rinse



Step 4 - Close all valves



Maintenance

Non-return valves:

Both water, chemical and air non-return valves should be checked every week.

Water non-return valve protects the fresh water supply against backflow of chemical from the satellite
There are two non-return valves on the air system, between the non-return valves there are a backflow protector. The purpose is to protect the air supply
There is a non-return valve on each chemical inlet. The purpose is to prevent water getting into the chemical canister

It is recommended to service all non-return valves once every year

Suction hose and suction filter:

Both filter and hose should be inspected every week
It is recommend to change both filter and hose every year

Hose:

Hose should be inspected every week, it is subject to much mechanical wear and tear
It is recommend to replace the hose every year because of safety

Low pressure valve / gun:

Low pressure valve/gun should be checked every week
The nut on the low pressure valve should be tighten regularly.
If any damage is seen on low pressure valve/gun they should be replaced because of safety.

Injector:

The water nozzle is subject to scaling. It should be checked once every month
Descale if the water nozzle is clogged.

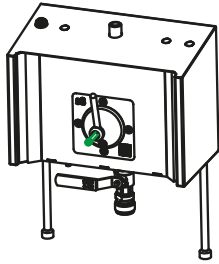
Service kits:

Yearly service kit (F D) 96-010125
Yearly service kit (F D + F) 96-010130
Yearly service kit (F F) 96-010135
Yearly service kit (F F + F) 96-010140
Yearly service kit (F F + D) 96-010145
Yearly service kit (F F + PF/PD) 96-010150
Yearly service kit (PF/PD D + F) 96-010155
Yearly service kit (PF/PD F + PF/PD) 96-010160
Yearly service kit (PF/PD D + PF/PD) 96-010165
Yearly service kit (PF/PD PF/PD + F) 96-010170
Yearly service kit (PF/PD PF/PD + D) 96-010175
Yearly service kit (PF/PD PF/PD + PF/PD) 96-010180
Rebuild kit main valve 96-010110

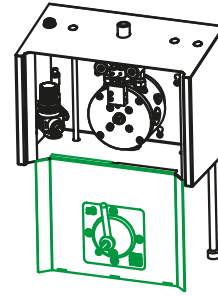


Quick guide open lid

Step 1- Loosen handle

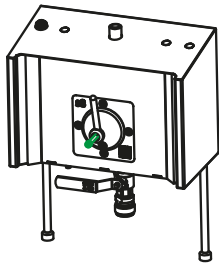


Step 2 - Hang lid on cabinet

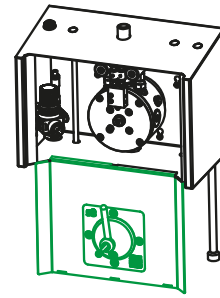


Quick guide remove water non-return valve

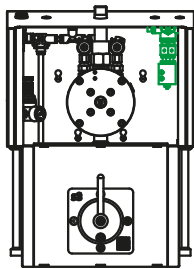
Step 1- Loosen handle



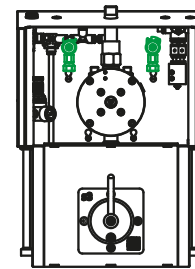
Step 2 - Hang the lid on cabinet



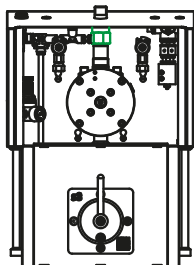
Step 3 - Move air valve



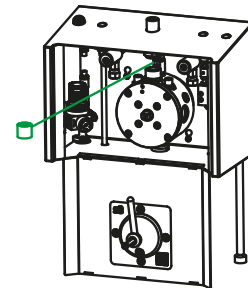
Step 4 - Move dosing valves



Step 5 - Loosen nut

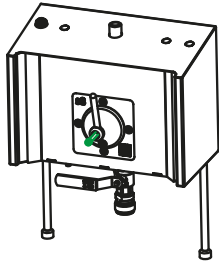


Step 6 - Remove non-return valve

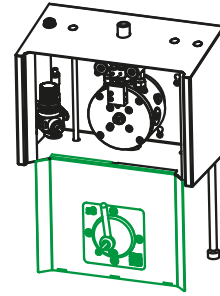


Quick guide descaling water nozzles

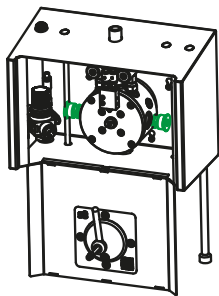
Step 1- Loosen handle



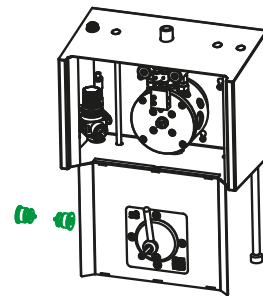
Step 2 - Hang the lid on cabinet



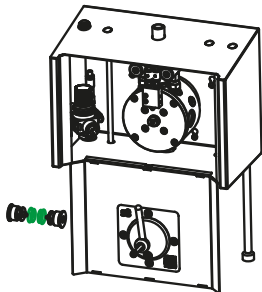
Step 3 - Unscrew water nozzles



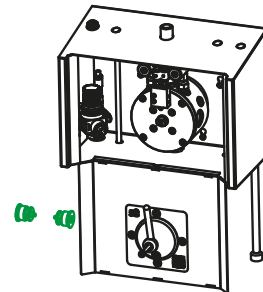
Step 4 - Remove water nozzles



Step 5 - Remove o-rings from water nozzles



Step 6 - Descal water nozzles



Troubleshooting

| Fault | Cause | Action |
|-------------------------------------|---|---|
| No rinse pressure | No pressure on water | Start pumpstation |
| | Ball valve on top of system is closed | Open valve |
| | Too many users at the same time | Wait until number of users is below recommended |
| | Wrong size rinse nozzle | Use the original System Cleaners rinse nozzle |
| | Wrong function selected | Select rinse function on handle |
| Poor foam quality | Chemical product is not a foaming product | Replace product with a foaming product |
| | Incorrect dosing | Adjust the dosing according to chemical supplier's specifications |
| | Suction filter or chemical restrictor are blocked by chemical residue | Clean the suction filter or chemical restrictor |
| | Water pressure is too low | Make sure that the water supply is as described in the technical specifications |
| | Air pressure too low | Increase air pressure |
| | Non-original foam nozzle fitted | Replace with original white foam nozzle |
| The unit does not suck up detergent | Function selector is not in the correct position | Turn function selector switch to desired function |
| | Suction filter or chemical restrictor are blocked by chemical residue | Clean the suction filter or chemical restrictor |
| | Water pressure is too low | Make sure that the water supply is as described in the technical specifications |
| | Suction filter is above the fluid level in chemical container | Position the suction filter below fluid level |



Disposal

This product and parts of it must be disposed in an environmentally sound way

Use the public or private waste collection services.

If above isn't possible please contact nearest System Cleaners representant.



Member of AxFlow Group

System Cleaners A/S

Halkjærvej 17

DK-9200 Aalborg SV

Denmark

Tel.: +45 96 34 04 04

info@systemcleaners.com

www.systemcleaners.com

Please note:

We reserve the right to make alterations to the technical specifications without notice.