

HR-249544/30

Manual trolley mounted hose reel in AISI 304 stainless steel, s. 540, for hot water, 200 bar without hose. Inlet G 3/8" (f), outlet G 1/2" (f). Hose guide, safety system and rotation lock as standard

SECTORS OF USE

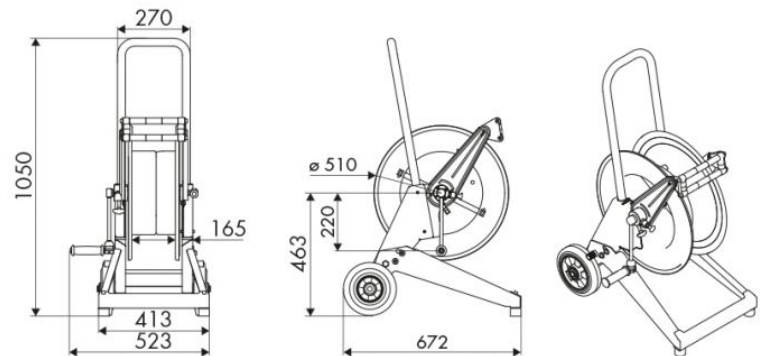
Agriculture, Cleaning, Industry, Mining, Lube trucks and transports

FEATURES

Pressure	200 bar
Compatible fluids	water max 130 °C
Swivel joint	AISI 304 stainless steel
Seals	Viton®
Characteristic	trolley mounted
Material	AISI 304 stainless steel
Couplings	-
Hose	-
∅ e hose length	-
Inlet	G 3/8" (f)
Outlet	G 1/2" (f)
Reel flow path	AISI 304 stainless steel



OVERALL DIMENSIONS (mm)



FURTHER FEATURES

Capacity 1/4"	Capacity 5/16"	Capacity 3/8"	Capacity 1/2"
150 m	110 m	65 m	45 m

Specifications supplied by a third party. (E&OE) Specifications can be subject to change; data is correct at the time of production. Please contact the sales office for specific enquiries.