



BOONS
food & industrial supplies



SWU

SWU-20/1-GR | SWU-K-20/1-GR

BOONS FIS nv / bv	Original manual
Nijverheidstraat 1 9810 Nazareth T +32 (0)9 387 79 79 support@boonsfis.com www.boonsfis.com	27/02/2025 Version SWU/EN/02

Index

Pressure Equipment Directive	3
01. General	4
Copyright BOONS FIS	4
General	4
Liability	4
Guarantee	4
Safety	4
General	4
Personal safety	5
02. Use	5
General	5
Storage	5
Mounting	5
General connections	6
SWU(-K)-20/1 (F-R, FD-R, FF-R)	6
General dimensions	7
SWU(-K)-20/1 (F-R, FD-R, FF-R)	7
Intallation manual - wall mounting	8
Complete SWU(-K)-20/1-GR (all versions) cleaning setup	12
Assembly manual	15
Connection and bringing into use	16
Use	17
Maintenance	18
General	18
Anti-legionella bacteria measure	18
Maintenance schedule	18
Maintenance by BOONS technicians	19
Putting the pump out of operation	19
Disposal	19
Fault table	20



03. Technical details	21
Type plate	21
Versions	21
Technical details diagram	22
Complete technical drawings + parts lists	23
SWU-20/1-GR-F-R	23
SWU-20/1-GR-FD-R	27
SWU-20/1-GR-FF-R	31
SWU-K-20/1-GR-F-R	35
SWU-K-20/1-GR-FD-R	39
SWU-K-20/1-GR-FF-R	43
Logistics information	47
SWU-20/1-GR	47
SWU-K-20/1-GR	47
04. Electrical diagrams	48
SWU-20/1-GR	48
SWU-K-20/1-GR	65

Congratulations on your purchase!

BOONS FIS congratulates you on your purchase of the SWU 'by BOONS FIS'.

It is important that operating personnel read these instructions for use before the appliance is brought into use. BOONS FIS trusts you will enjoy using the purchased equipment with great efficiency.

Legend - Symbols in this document



**Read the instructions
for use**



**Wear face
protection**



**Wear safety
shoes**



**Wear
gloves**



**Wear protective
clothing**



**Important
note**



Warning

Pressure Equipment Directive



Manufacturer BOONS FIS nv
Nijverheidstraat 1
9810 Nazareth (Belgium)

BOONS FIS declares under its sole responsibility that the SWU products to which this declaration refers are in compliance with the directives of the EC member states concerning the following directives:

- **Pressure Equipment Directive 2006/42/EG**
- **EMC Directive 2014/30/EU**
- **Low Voltage Directive 2014/30/EU**

Simon Boons
Business Manager BOONS FIS nv/bv



01. General

Copyright BOONS FIS

Nothing from this manual may be duplicated and/or made public in any way whatsoever without prior written permission from BOONS FIS. This also applies for the associated pictures, drawings and diagrams. BOONS FIS reserves the right to modify parts at any required time, without prior or direct notification of the buyer. The content of this publication can also be changed without prior warning.

For information concerning settings, maintenance activities or repairs not referred to in this publication you are requested to contact your supplier. This publication has been compiled with the greatest possible care. BOONS FIS accepts no responsibility for any errors in this publication or for the consequences thereof.

General

Attention symbols are used in this manual and on our machines. These attention symbols refer to a possible danger or point for attention. Ignoring these instructions can result in physical injury, damage to the machine or consequential damage.



Before you bring the unit into operation you must **carefully read this operating manual**.

Not (or not exactly) complying with the instructions can result in serious personal injury, fatal accidents, serious machine damage or consequential damage.

You are requested to keep this manual in a place where it is always available. It must always be given to the person responsible for the product. The manual can be found on the BOONS FIS website by scanning the QR code on the device. Also contact BOONS FIS if there are any doubts concerning the content of this manual.

Liability

As the manufacturer BOONS FIS cannot be held liable for personal injuries, damage to property of third parties, consequential losses, production loss, loss of capital, loss of goods and suchlike that originate due to inadequate or late delivery of a sold product, whatever the cause may be.

Each user must act and use the SWU unit in a responsible manner. BOONS FIS cannot be held responsible for damage as a result of incorrect use of the satellite. It is therefore important that this manual is available to the persons involved at all times.

Using the system in a correct and responsible manner entails: the instructions, requirements and recommendations concerning the system being complied with; the specified inspection and maintenance intervals being respected; the system being properly maintained, and the specified ambient conditions and conditions for use being respected.

Correct use also means compliance with all information specified in this manual.

Guarantee

The guarantee covers the general parts that can be shown to have become defective as a result of material faults, manufacturing faults and/or inadequate performance. The guarantee period comes into effect on the invoice date and applies for 12 months.

To claim under the guarantee, you must immediately approach your supplier. A guarantee claim submitted too late will no longer be processed.

The guarantee covers the replacement or repair of the defective parts. Dispatch costs, transport costs and work hours are paid by the customer. Replaced defective parts become the property of BOONS FIS.

Indirectly originating damage, normal wear, damage caused by negligence or incompetent use, damage due to frost and damage that is reported too late is not covered by the guarantee. Damage caused during loading, unloading or transport and costs of repairs incurred by third parties are also not covered by the guarantee.

The guarantee also ceases to be applicable after changes/repairs/commissioning by an installer not approved by BOONS FIS. Please contact the company BOONS FIS for confirmation of whether your supplier is approved if the supplier is not BOONS FIS itself.

Safety

General

The BOONS FIS main station SWU is an installation that produces a water jet (with or without chemicals as desired) under pressure. The design of the unit suffices with regard to the generally accepted technical requirements and provisions concerning the working environment and accident prevention. Despite this, risks can occur during use. The system must therefore be in excellent technical condition before it is used. Faults and irregularities that could affect safety must particularly be immediately rectified.

The SWU may only be used by persons who have been instructed in its operation and who have been explicitly tasked with its operation. Full knowledge of this manual is therefore required. The machine is unsuitable for use by children. If the machine is used by other persons, the owner must inform the user of the safety conditions. Besides the instructions for use and the applicable, binding requirements relating to accident prevention in the country in which the machine is used, the approved technical rules for safe and judicious work must also be complied with. The unit may only be used for the purpose it was designed for. No method of working that can endanger safety may be used. It is recommended to only use parts approved by BOONS FIS to guarantee the safety of the machine.

Personal safety

For your personal safety, it is important to comply with the prescribed PPE safety equipment::



**Wear
face protection**



**Wear
safety gloves**



**Wear
safety shoes**



**Wear
protective clothing**

In case of skin penetration of the water jet under pressure, one should immediately consult a doctor. Be sure to mention the type of product that was used. In addition, one should avoid poor posture.

02. Use

To ensure safety during installation and later use it is important that the instructions concerning installation, use, maintenance and disposal are accurately followed.

General

The electrical wiring must be checked for damage before use. Before powering the appliance check if the electrical specifications on the CE name plate correspond to the values on the power supply network (e.g. electrical voltage, etc.).

Standard production variations of nozzles, pressure gauges and pumps can in certain cases cause small variations in the specified values. This however has no impact on cleaning and BOONS FIS cannot be held responsible for this.

Storage



The unit may not be exposed to frost unless all the water has been drained away (frost protection). Even brief periods of exposure to frost can damage the unit.

Store the appliance in a frost-free space.

Mounting



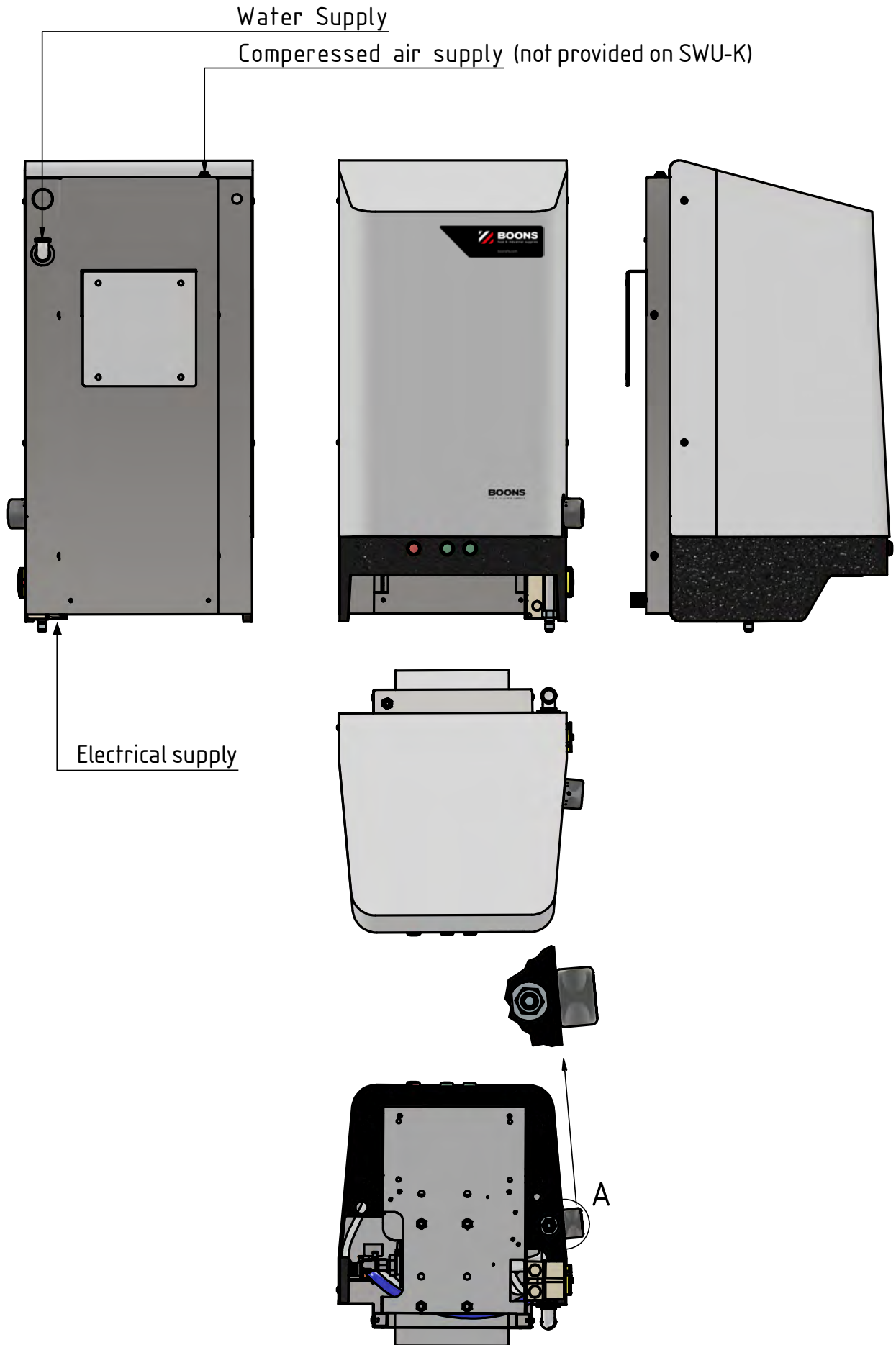
The unit is preferably mounted according to the dimensions listed below, for optimum ease of use. At the electrical connection of the unit, the customer is responsible for placing an isolation switch / plug next to the unit so that it can always be switched off in a safe manner. In this way, maintenance and any other work on the unit can always be carried out in a safe manner.

The wall on which the unit is to be hung must be strong enough to bear the weight of the SWU (80/97 Kg). This can be achieved, for example, by means of a counter plate or by chemical anchoring in the wall.

The SWU is mounted in such a way that it hangs completely free from the wall. This is done by means of the spacers present at the bottom of the unit. In this way it is easy to clean behind the unit, along the wall of the wall.

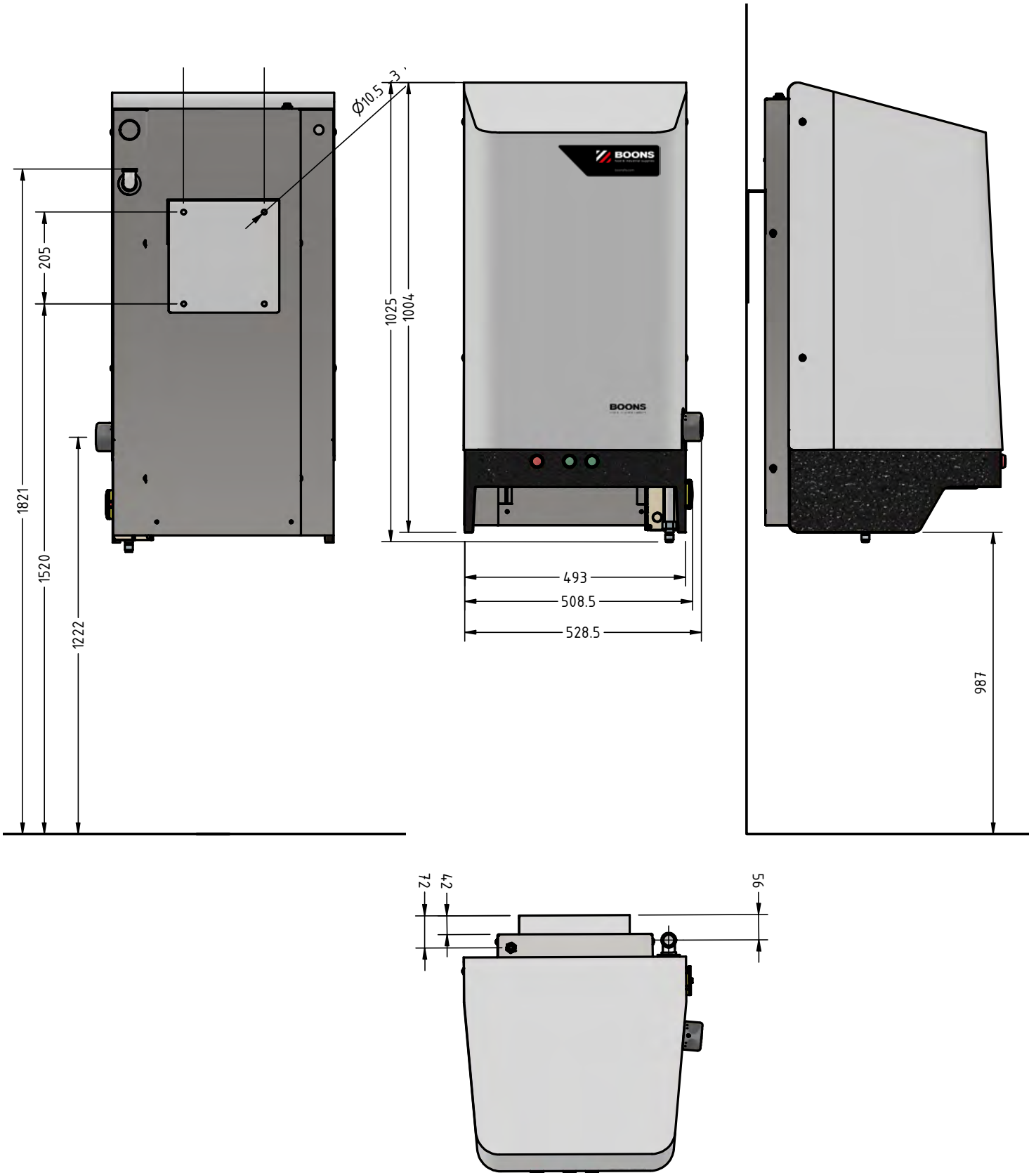
General connections

SWU(-K)-20/1 (F-R, FD-R, FF-R)



General dimensions

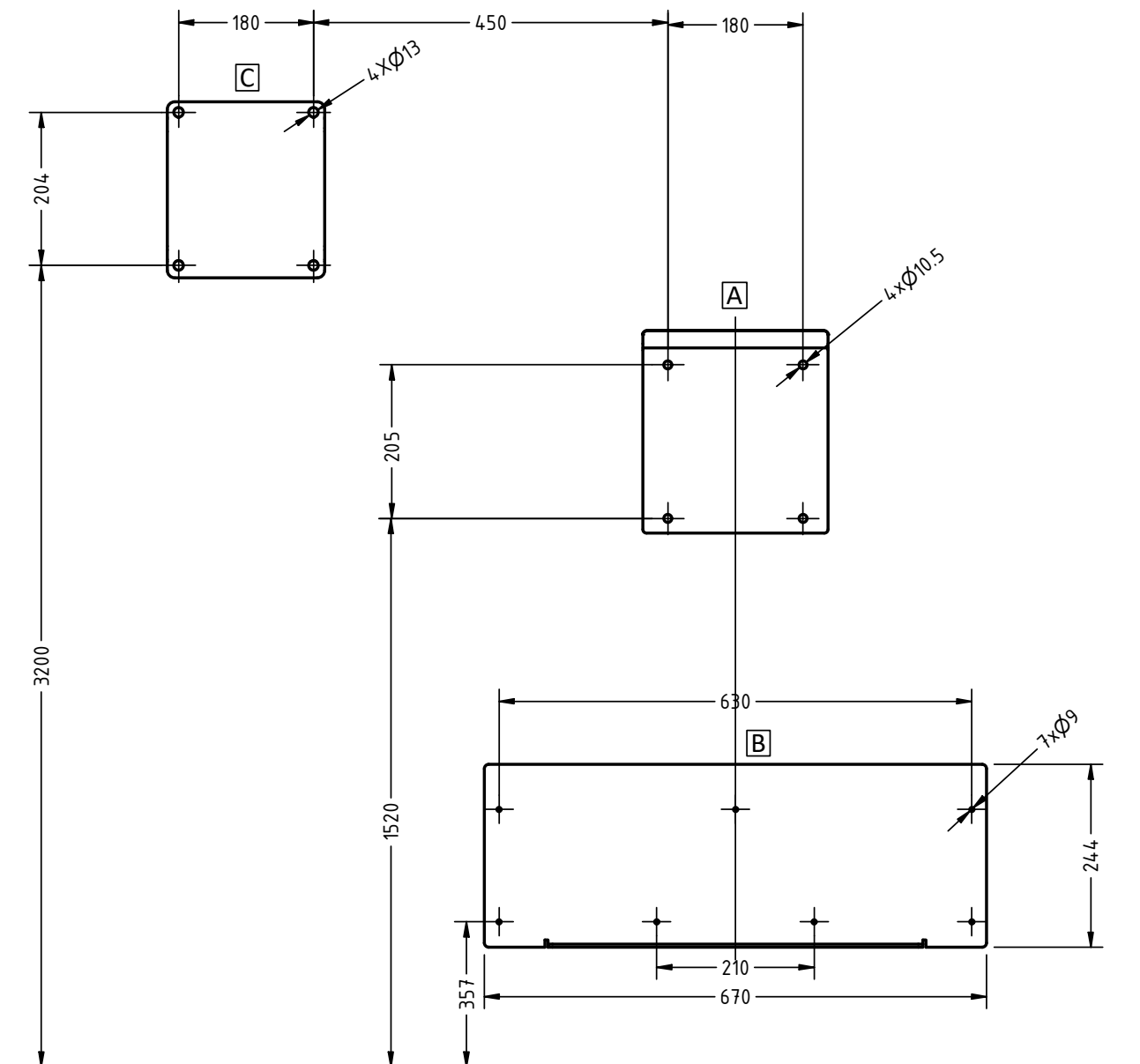
SWU(-K)-20/1 (F-R, FD-R, FF-R)



Intallation manual - wall mounting

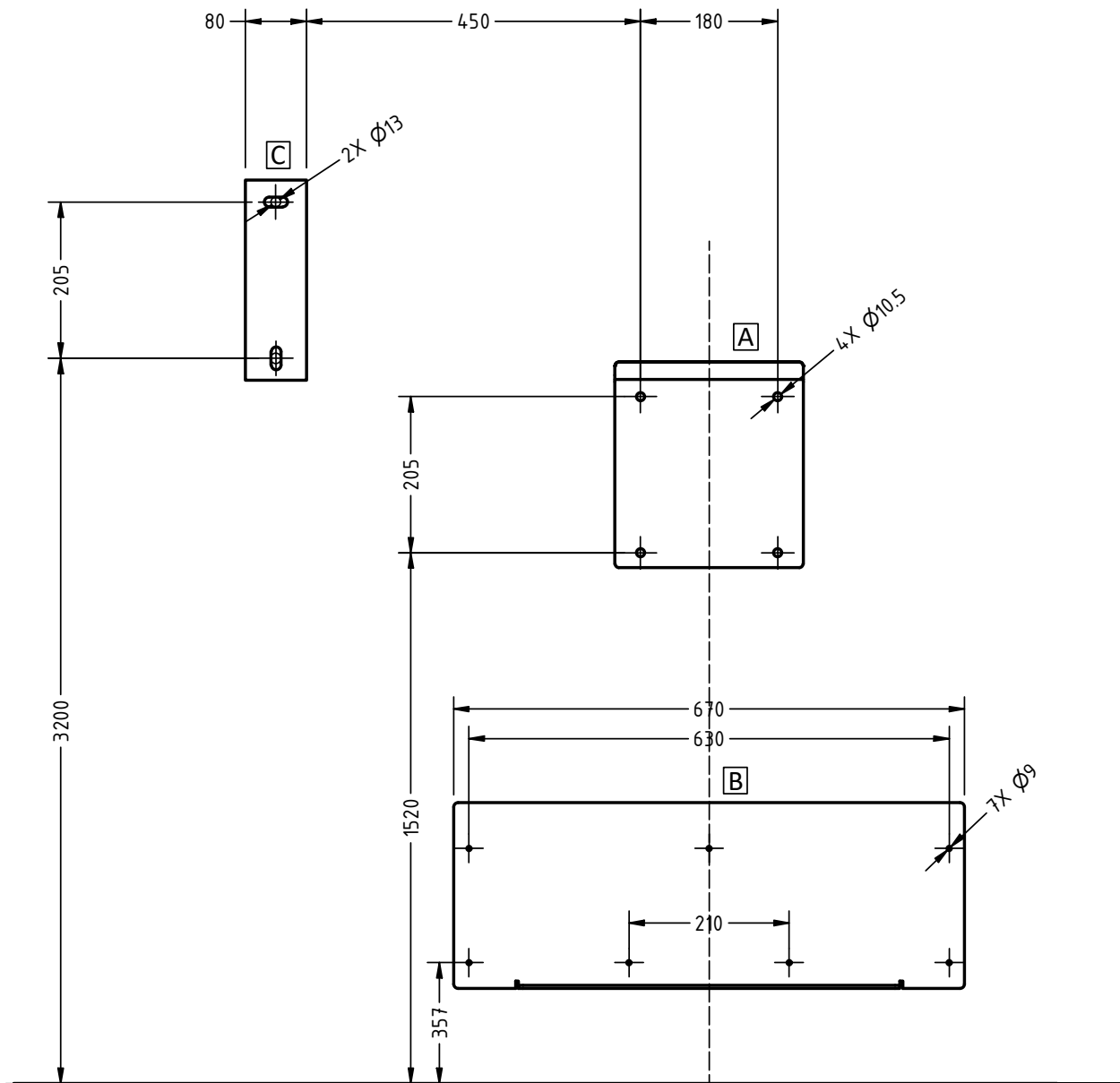
SWU(-K)-20/1-GR (all versions) with hose reel HR1100 bracket

- (A) SWU wall bracket
- (B) Jerrycan wall bracket
- (C) Hose reel HR1100 wall bracket



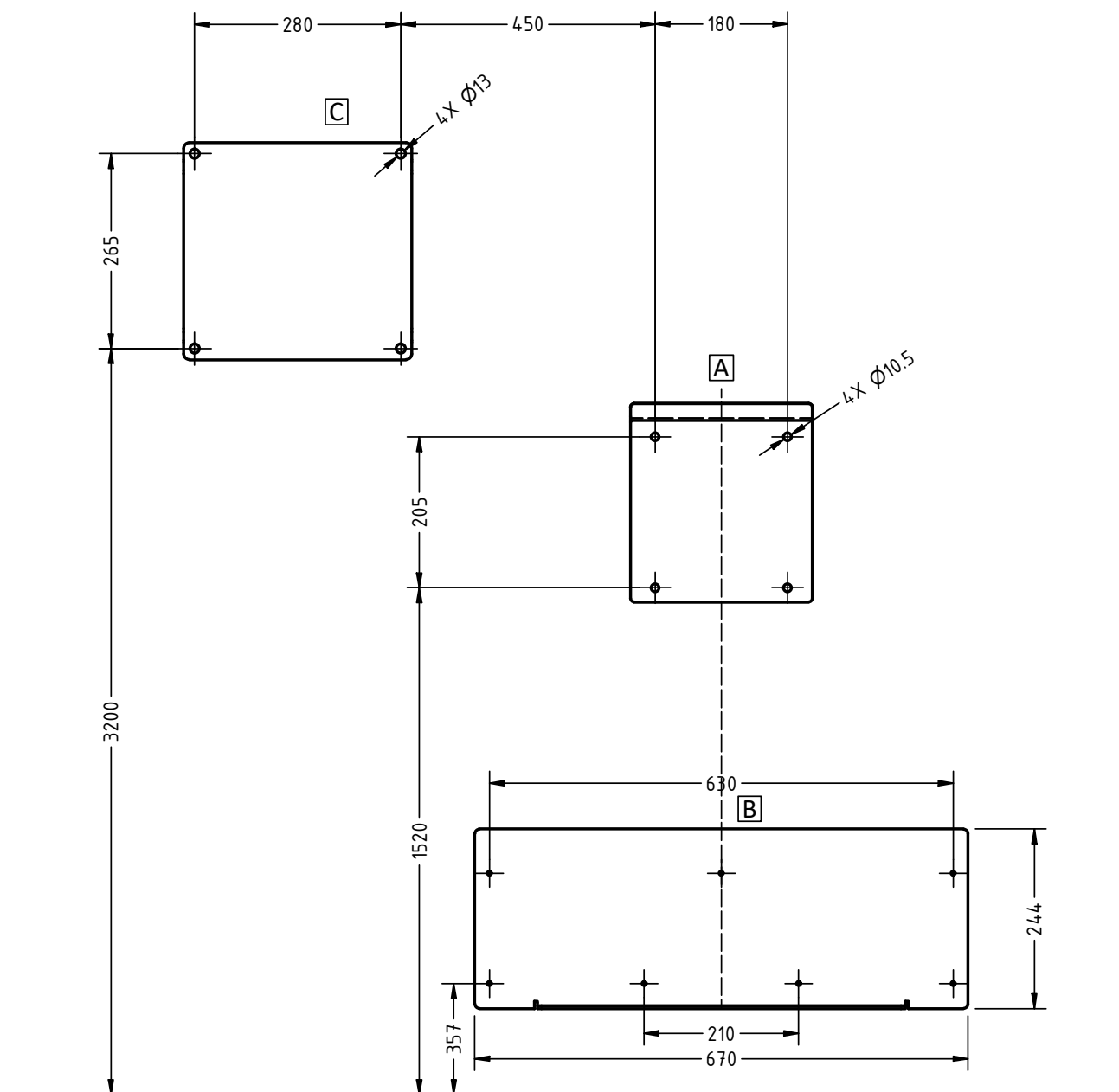
Installation manual of SWU(-K)-20/1-GR (all versions) with hose reel HR1100 swivel console ST20 wall bracket

- Ⓐ SWU wall bracket
- Ⓑ Jerrycan wall bracket
- Ⓒ Hose reel HR1100 swivel console ST20 wall bracket



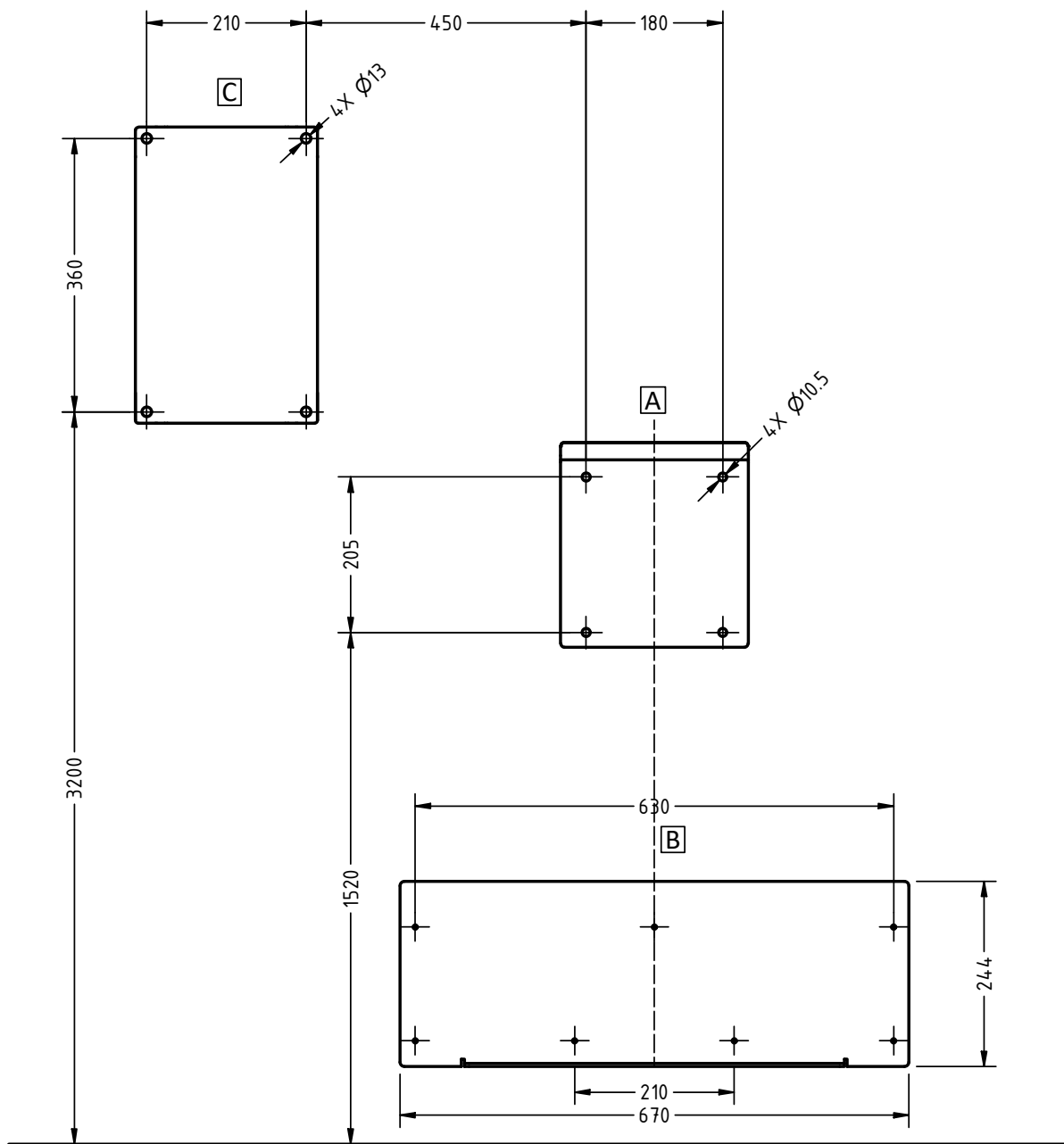
Installation manual of SWU(-K)-20/1-GR (all versions) with hose reel HR3500 bracket

- Ⓐ SWU wall bracket
- Ⓑ Jerrycan wall bracket
- Ⓒ HR3500 wall bracket

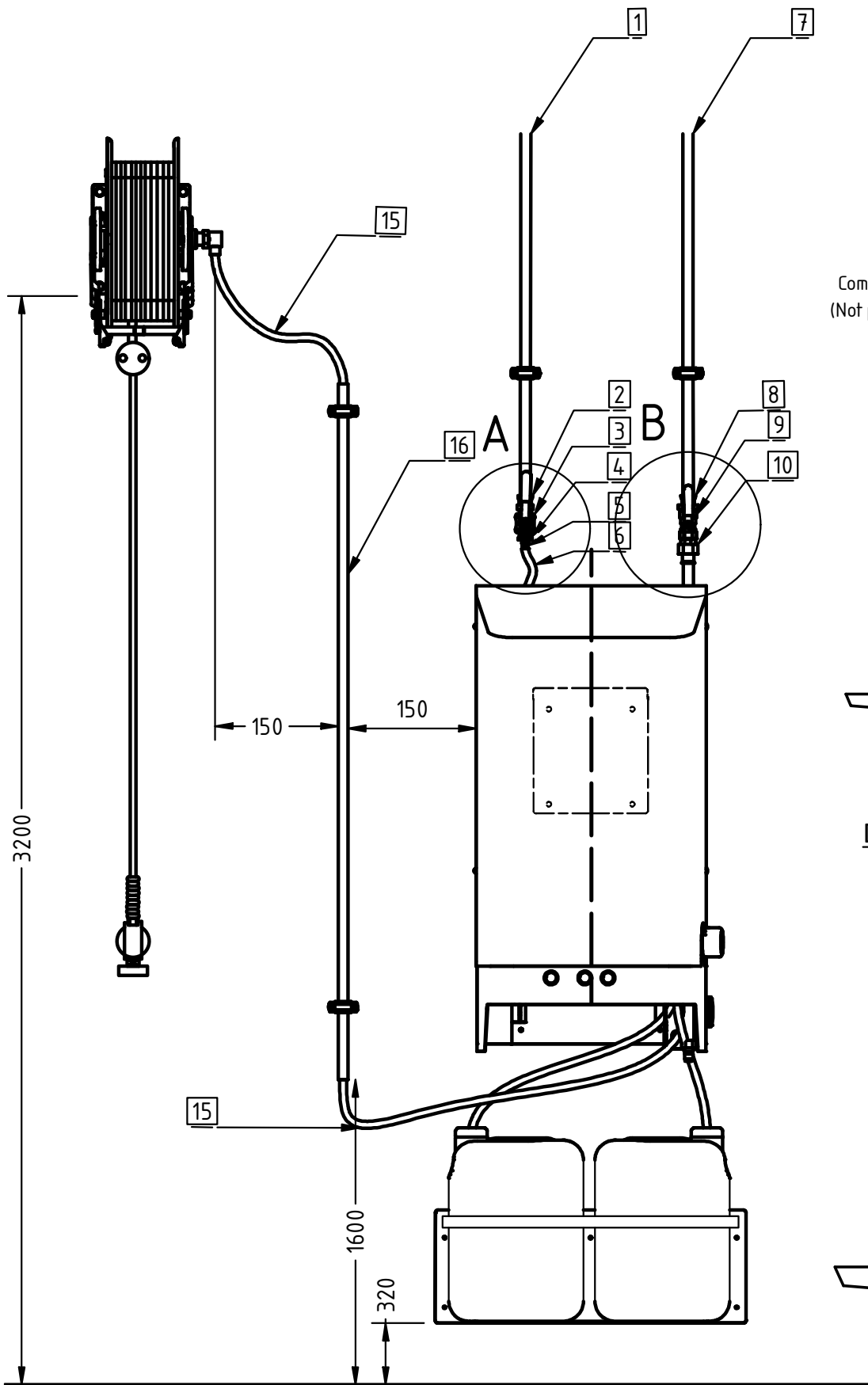


Installation manual of SWU(-K)-20/1-GR (all versions) with hose reel HR3500 swivel console ST30 wall bracket

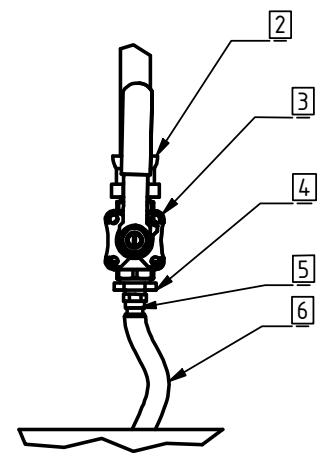
- Ⓐ SWU wall bracket
- Ⓑ Jerrycan wall bracket
- Ⓒ Hose reel HR3500 swivel console ST30 wall bracket



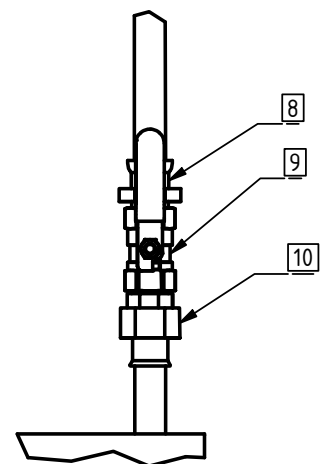
Complete SWU(-K)-20/1-GR (all versions) cleaning setup

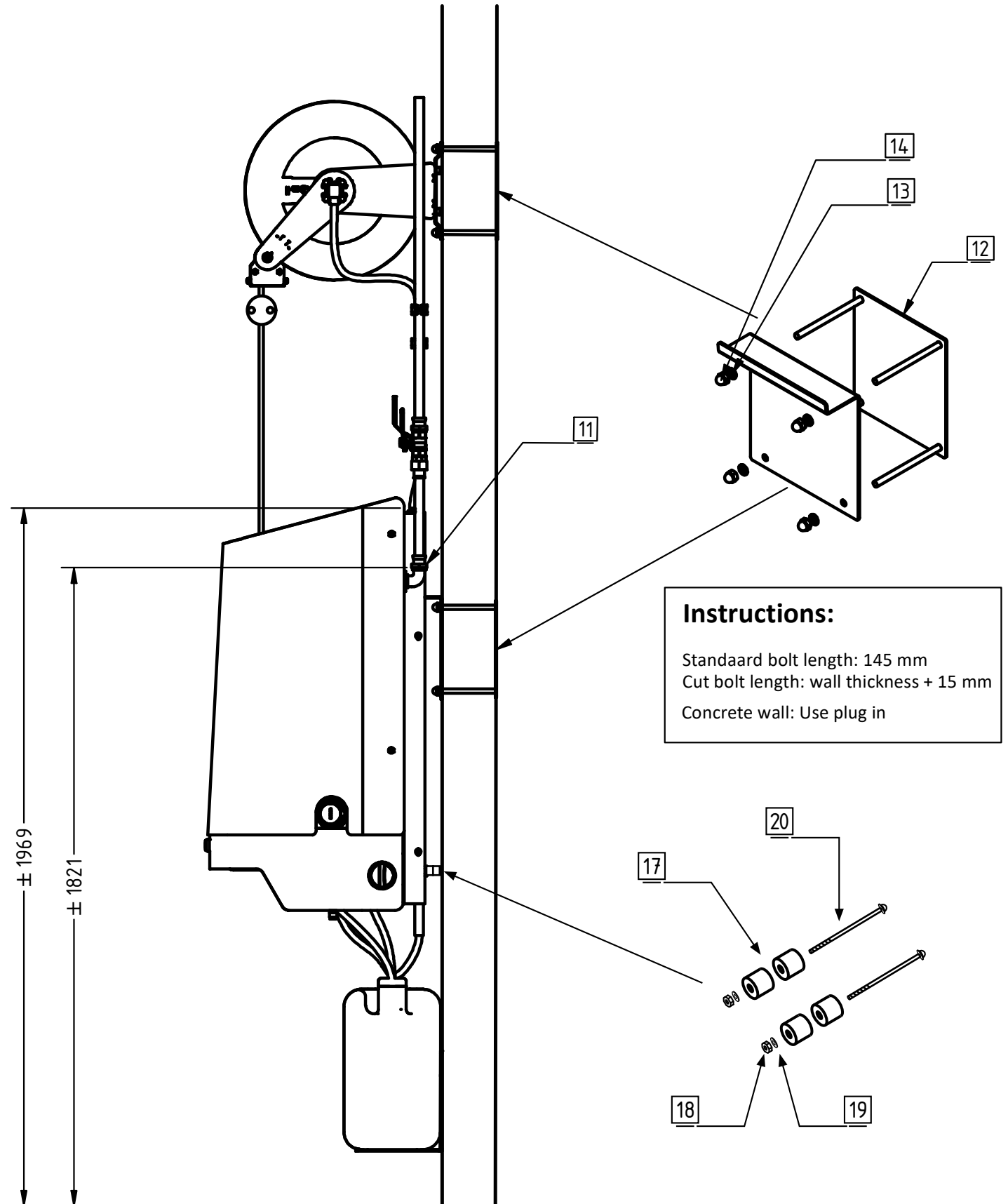


DETAIL A
Compressed air supply
(Not provided on SWU-K)



DETAIL B
Water supply

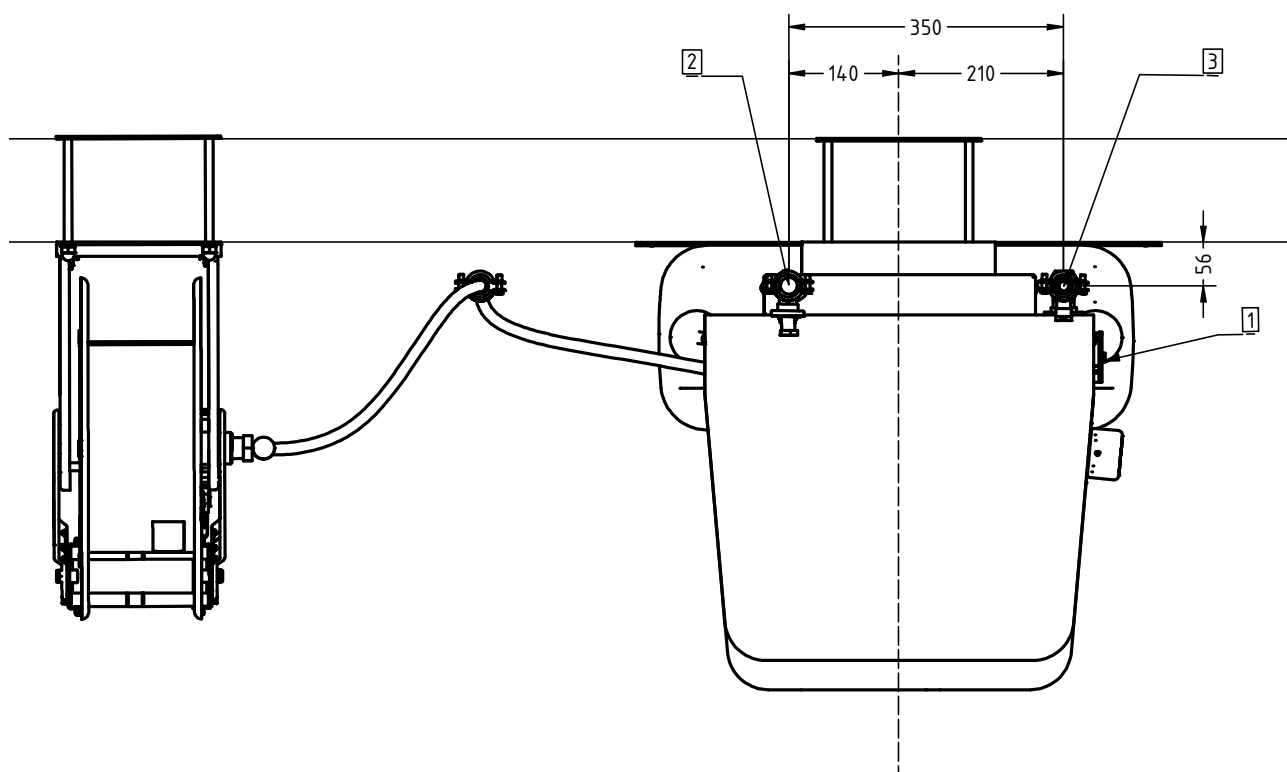




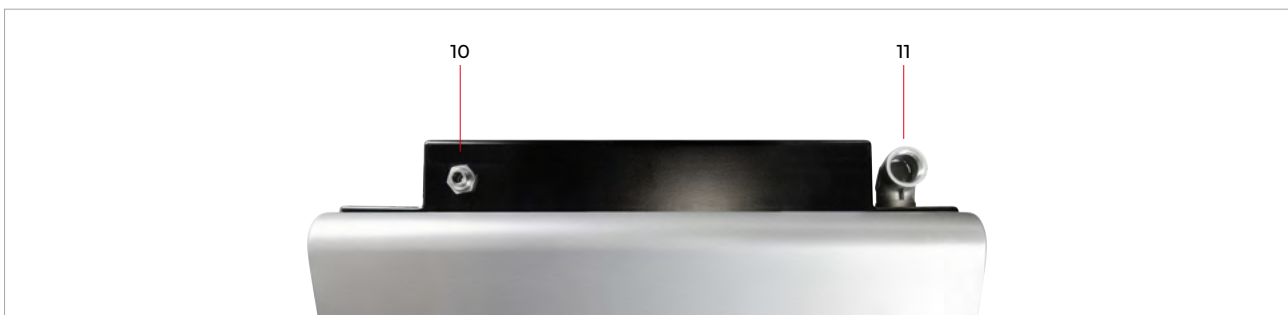
Instructions:
 Standaard bolt length: 145 mm
 Cut bolt length: wall thickness + 15 mm
 Concrete wall: Use plug in



Set up partslist - recommended					
Number	Total	Article number	Description	SWU	SWU-K
1	1	385817	Compressed air supply line (min. Ø22mm)	✓	✗
2	1	385237	Xpress R2705 transition (pipe Ø22mm x 1/2")	✓	✗
3	1	357708	Ball valve 1/2"	✓	✗
4	1	145223	Adapter nipple 1/2" x 1/4"	✓	✗
5	1	370110	Straight threaded adaptor, R 1/4 male to push in 8 mm threaded-to-tube connection style	✓	✗
6	1	421673	Flexible compressed air hose Ø8mm	✓	✗
7	4	385817	Water supply line (min. Ø22mm)	✓	✓
8	2	385756	Xpress R2705 transition (pipe Ø22mm x 3/4")	✓	✓
9	2	358965	Ball valve 3/4"	✓	✓
10	1	881907	Xpress R2735 3-piece coupling (pipe Ø22mm x 3/4")	✓	✓
11	1	881907	Xpress R2705 transition (pipe Ø22mm x 3/4")	✓	✓
12	1	346689	Boons counter flange reel HR1100	Optional	Optional
13	4	119924	Spring lock washer M10	Optional	Optional
14	4	136380	Cap nut high DIN 1587 stainless steel A2 M10	Optional	Optional
15	2	431235	Flexible water hose 1000mm with 2xBSPP swivel	✓	✓
16	1		Fixed pipe 1/2" 1500mm with 2 x BSPP male thread	✓	✓
17	4	378901	Spacer (21mm x Ø25mm)	✓	✓
18	2	120227	Self-locking stainless steel nut M5	✓	✓
19	2	658832	Flat washer A2 stainless steel M5	✓	✓
20	2		D312 stainless steel A2 CK-srew BZK M5 x 40	✓	✓



Number	Description
1	Power supply 3x400V - 50Hz - 16A
2	Compressed air supply 150l/m (not provided on SWU-K)
3	Water supply 0.5-10bar - Ø3/4"



Connection and bringing into use

	Omschrijving	SWU	SWU-K
1	Signal light (red) for error	1	1
2	Signal push-button for compressor	0	1
3	Signal button for pump on/off	1	1
4	Selector switch	1	1
5	On/of switch	1	1
6	Chemistry tube disinfection 1.35m yellow	1	1
7	Chemistry tube foam 1,70 m - transparant	1	1
8	Water drain (HP)	1	1
9	Electrical connection	1	1
10	Compressed air supply (not provided on SWU-K)	1	0
11	Water supply	1	1

To bring the unit into use, put the jerry cans in the **jerry can holder**. Then place the chemicals hoses (6 and 7) in the appropriate jerry cans. The yellow chemical hose (6) is for disinfection (D), the transparent chemical hose (7) is for foam (F).

Connect the electrical cable with plug (9) to a suitable 400V plug socket. Then connect the water supply (11) and the high-pressure hose (10). Open the water supply and open the ball valve.

- With an **SWU** (without compressor) connect the compressed air supply (10) and open the valve.
- With an **SWU-K** (with compressor) you switch the compressor on by pressing the push-button (2).

Then switch the pump on with the push-button (3).

You can now start using the appliance. Click the appropriate nozzle (yellow, white or blue) on the gun and select the required function using the selector switch (4). Open the gun to start cleaning.

Before you start working with the unit, or following repair activities, the appliance must be thoroughly flushed to remove all impurities or foreign objects.



Use



The unit is specifically designed for rinsing with water and the use of foam or detergent under the specified conditions for use. Any other use of the unit is not compliant with proper use and does not comply with the applicable regulations. This can result in dangerous situations so must be avoided at all times.

- The water jet can be dangerous if misused. Never aim the jet at yourself, persons, animals, the appliance itself or live electric installations.
- Hoses, guns, lances and connecting parts are important for safe and proper operation of the unit. So always use original components from BOONS FIS. The maximum permitted operating pressure and the temperature are printed on the components. Do not exceed these values.
- Never spray electrical parts with water: danger to persons and of short circuiting.
- Always wear appropriate footwear when working with the water jet.
- Wear safety clothing, safety glasses and ear protection (> 80 dB).
- When cleaning, keep a sufficient distance between the nozzle and the surface to be cleaned to avoid damage to the surface.
- During operation all guards and doors on the machine must be kept closed.
- Clearly mark off the place of spraying and cordon off a distance of at least 6 metres around the place of spraying.
- Remove all items lying around in the place of spraying.
- Never spray from an unstable standing position (on a ladder, scaffold, steps, etc.).
- Respect the rules for ergonomics during spraying.

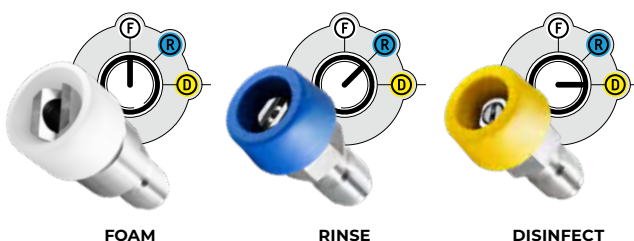


Retraction forces are caused when the unit is being used.

Switch the unit off when the spray lance is replaced or close the ball valve (if present). Make sure that the protective cover is around the nozzle. Firmly turn or click the lance coupling on the gun. The gun's trigger may not be clamped tight during use. The correct rinsing lance/nozzle must always be used for each specific cleaning program.

Operating

The appliance is very simple to use and operate. Switching between foaming (F), disinfecting (D) and rinsing (R) is all done with one and the same rotary switch. Use the appropriate nozzle for each function (foaming, disinfecting and rinsing). Standard version:



The standard nozzle for foaming is 80.150 and the standard nozzle for rinsing is 15.25. Other nozzles are always available on request from BOONS FIS.

Dosage



The following table shows the dosage at an operating pressure of 20 bar. The standard supplied disinfection nozzle is 40.20, the standard foam nozzle is 80,150, and the standard rinse nozzle is 15.25. The standard versions are shown in bold in the table below. Other nozzles are always available on request from BOONS FIS. Consumption is approximately 10 l/min. for disinfection, 11 l/min. for foam and 25 l/min when rinsing.

A test can always be performed to determine the exact dosage with the product used. An appointment must be made for this with BOONS FIS.

DOSING NOZZLE	ART. CODE
0,3	119971
0,4	908067
0,5 - Standard for disinfection	689891
0,6	375023
0,7	300818
0,8	375030
0,9	603307
1,0 - Standard for foam	870515
1,1	868803
1,2	740327
1,3	260795
1,4	646516
1,5	552682

You can order via warehouse@boonsfis.com

The dosage is average and depends on pressure, flow rate and type of chemical. BOONS FIS accordingly bears no responsibility in the case of any variations from the indicated dosage %.

Chemical cleaning agents



- Always first read the instructions on the product packaging.
- Always check the content of the jerry can to avoid working with the wrong agent.
- Closely follow the product instructions.
- Never use flammable products for cleaning.
- Ensure separate collection and/or cleaning of drainage water.
- Make sure you use the necessary personal protective equipment. See page 4.
- Remove the filler cap and hang the suction hose in the jerry cans.
- Transparent hose = hose for foam Yellow hose = hose for disinfectant
- Always make sure of good ventilation.
- Always use the most suitable agent and take advice from your chemical supplier.



Although our installations are constructed in such a way that the likelihood of mixing different products is extremely small (but never excluded), it is nevertheless possible that the operators of the installation use the diluted products after each other without rinsing. The products must hence be chemically compatible and preferably not chlorinated, so no chlorinated reactions can occur when switching from the one product to the other.

Residues of cleaning products and/or disinfectants can block the injector. So the injector must always be rinsed after cleaning with clean warm water for at least 60 seconds. To do this the yellow and transparent hoses are submerged in clean warm water.

Components



Hoses, guns, lances and connecting parts are key components of the satellite. The maximum permitted operating pressure for these accessories is 65 bar and the maximum temperature is 70 °C. Do not exceed these values. Always use original components from BOONS FIS.

Water jet

The water jet can be dangerous if misused. Never aim the jet at yourself, persons, animals, the appliance itself or live installations.

- Never spray electrical parts with water: danger to persons and of short circuiting.
- Always wear appropriate footwear with anti-slip soles when working with the water jet, as the combination of water and foam can cause slipperiness.
- Protective clothing and safety glasses must be worn.
- When cleaning, keep a sufficient distance between the nozzle and the surface to be cleaned to avoid damage to the surface.
- During operation all guards and doors on the machine must be kept closed.
- Remove all loose items from the place of spraying.
- Never spray from an unstable standing position (on a ladder, scaffolding, etc.).
- Respect the rules for ergonomics during spraying.

Spray lance



Retraction forces are caused at the spray lance when the SWU unit is being used.

Switch the appliance off when the spray lance is replaced or close the ball valve. Make sure that the protective cover is around the nozzle. Firmly turn or click the lance coupling on the gun. The gun's trigger may not be clamped tight during use. The correct rinsing lance/nozzle must always be used for each specific cleaning program.

Vibration on the gun and the lance is very limited when the correct spraying equipment is used. But always take personal protection measures when using the SWU.

If you use the SWU with chemicals that require compulsory labelling or with a water temperature of over 50 °C, use of a low-pressure gun with automatic closing is compulsory. If you do not do this, BOONS FIS rejects any liability.

Maintenance

General

All maintenance work must take place when the SWU is switched off and disconnected from water and compressed air. Only specially trained personnel may check the components. Before starting work, the whole SWU must be rinsed with warm water so as much of the chemical products/residues as possible are removed and the work can be done in a safe way and free of chemicals. Immediately after the work, all safety components and protective parts must be replaced before the satellite is used again. After the work the appliance must be put in the rinse position so air and particles remaining after maintenance can be rinsed away.

To ensure a well-functioning unit, one needs a reliable and technically well-engineered machine. Thorough maintenance at regular intervals (at least twice a year) is required to maintain proper operation. This maintenance can be carried out by experienced BOONS technicians by making an appointment (support@boonsfis.com) or under a maintenance contract.

The user may only carry out the activities described in this manual.

Anti-legionella bacteria measure

If the SWU unit has not been used for some time, the water in the supply pipe and discharge pipe must be drained off. Stagnant water at temperatures between 20 °C - 55 °C can cause Legionella bacteria. It is therefore advised to act upon the following recommendations:

- Regularly clean the piping and components.
- Flush periodically using the appropriate products.
- Remove any sediment.
- Ask about a maintenance contract for cleaning Legionella's disease.

Maintenance schedule

Check the SWU unit each day for any compressed air or water leaks.

Water and chemical non-return valves and O-rings are critical parts subject to wear and must be replaced every 6 months. Depending on the chemicals used it may be necessary to replace these parts at shorter intervals.

Chemical residues compromise operation of the appliance. The appliance must therefore be rinsed with warm water after each time of use to ensure proper operation.

Limescale compromises operation of the pump, and its removal according to the instructions of the supplier of the chemical substances can be required on a regular basis.

Maintenance by BOONS technicians

Water filter

Depending on the water quality it can be necessary to filter the water to prevent the satellite from becoming blocked. BOONS FIS advises filtering at 25 µ.

Non-return valves

The Water, chemical and compressed air check valves are critical parts in the satellite and must be regularly checked and replaced if necessary.

The chemistry check valves in the satellite should be replaced on an annual basis.

Compressed air quality

The compressed air supplied to the SWU unit must be oil-free and filtered at 100µ.

Injector system

The injector system consists of a selector sealed by O-rings, injector nozzles, counter nozzles, non-return valves and dosing nozzles.

Chemical residues have a negative effect on operation of the injector system. After use the chemical suction lines must each time be further rinsed by drawing in warm water so the whole system is cleaned of all chemicals on the inside to ensure an optimal working life for all parts.



Limescale compromises operation of the selector block (housing). Limescale removal according to the instructions of the supplier of the chemical substances can be required on a regular basis.

For further maintenance we recommend you contact BOONS FIS or its approved dealer about a maintenance contract. Maintenance applies for normal operating conditions. Especially demanding conditions can be mentioned so this can be taken into account.

Housing

Check the frame as a whole for loose bolts, cracks and/or fractures in the welded joints. Keep the unit as clean as possible to prevent the effects of dirt, water, oil and spilt fuel.

The unit assembly is fully made of stainless steel. Check the housing as a whole for loose bolts, cracks and/or fractures in the welded joints. Keep the SWU clean to the extent possible to prevent the effects of dirt, water, oil and spilt chemicals. If required, BOONS FIS will provide the necessary stainless steel cleaning products for maintenance.



Description	Content	Article code
BOONS FIS SS Rust remover	500 ml	354059
BOONS FIS SS Conditioner	500 ml	354080

Spraying equipment



Check lances, hoses and guns for leaks, visible damage and hairline cracks. If there is damage or leaks this must be immediately repaired/replaced. Check the spray pattern of the water jet. If it is too wide have the nozzle replaced. Check the protective cover for the nozzle for damage and replace if required. Check the thread or the click system of the couplings for visible damage. This must also be immediately replaced if there is damage.

Electrical part

Check visible electrical wiring and components (such as switches) for visible damage. If damaged, this must be replaced by BOONS FIS or its approved dealer.

Pressure expansion tanks

The pressure expansion tank is positioned on the pump. The damper ensures that the vibrations from the water are countered. Check the operating pressure on the pressure expansion tank. The operating pressure must be 60%. Consult a BOONS FIS technician with poor operation of the pressure expansion tanks and for further maintenance.

Putting the pump out of operation

Switch the pump's push-button off when you end the work and relieve the pressure in the hoses. You do this by pinching the spray lance after closing the ball valves (in the water supply and drainage lines).

Disconnect the gun lance and store it away.

If the unit is not to be used for a long period check:

- That the power cable is disconnected.
- That the liquids have been removed from the tanks. The suction hoses for chemicals must be rinsed with water.
- That the parts are protected against the accumulation of dust and against frost.
- That all hoses, cables, etc. have been safely stored.

Disposal

Keep the following instructions in mind: the unit must be disposed of according to its nature and the applicable requirements (for example: electrical scrap, synthetic materials, stainless steel, bronze, etc.). The unit must also be disposed of in way that is as environmentally friendly as possible.

There are three options here:

- Exchange for a new machine.
- Taking to a waste processing company.
- Outside the EU you should contact your local authority for information on appropriate disposal.

Would you like more information about the disposal of your old appliance? Contact your local authority, the waste collection service or the dealer/company where you bought the product.



Fault table

If there is a fault one can consult the table below. If you cannot find a solution using the table, we advise you to contact a BOONS technician or an approved BOONS representative.

Fault	Cause	Solution
Low water supply pressure	Water supply shut off	Open the water supply
	Water inlet filter blocked	Clean the water inlet filter (if present)
No or insufficient quantity of water at the nozzle	Selector switch not in rinse position	Turn the selector switch to the required position
	Valve at the end of the hose not open	Open the valve on the hose
The unit does not draw detergent	The selector switch is not in the correct position	Turn the selector switch to the required position
	Suction filter or chemical restrictor is blocked by chemical residue	Clean the suction filter or chemical restrictor
	The suction filter is positioned above liquid level in the chemical container	Position the suction filter below liquid level
Poor foam quality	Air valve is closed or the compressor has not been started	Open the air valve or start the compressor
	Insufficient air pressure supply	Increase the air pressure supply
	The chemical product is not a foam product	Change the product to a foaming chemical product
	The chemical restrictor is not suitable for the chemicals selected	Adapt the chemical restrictor to obtain correct dosing
	The suction filter, metering valve or non-return valve is blocked by chemical residue	Clean the suction filter, metering valve or non-return valve
	Insufficient water supply to the unit	Make sure that the water supply meets the technical requirements
	The compressor inlet filters are blocked	Clean or replace the compressor inlet filters
	No original foam nozzle assembled	Replace with an original foam nozzle

03. Technical details

Type plate

A type plate is fixed to each satellite mentioning the serial number and technical details.

1. Producer
2. Type of appliance
3. Serial number
4. Year of manufacture
5. Pressure
6. Air
7. Weight
8. Maximum temperature

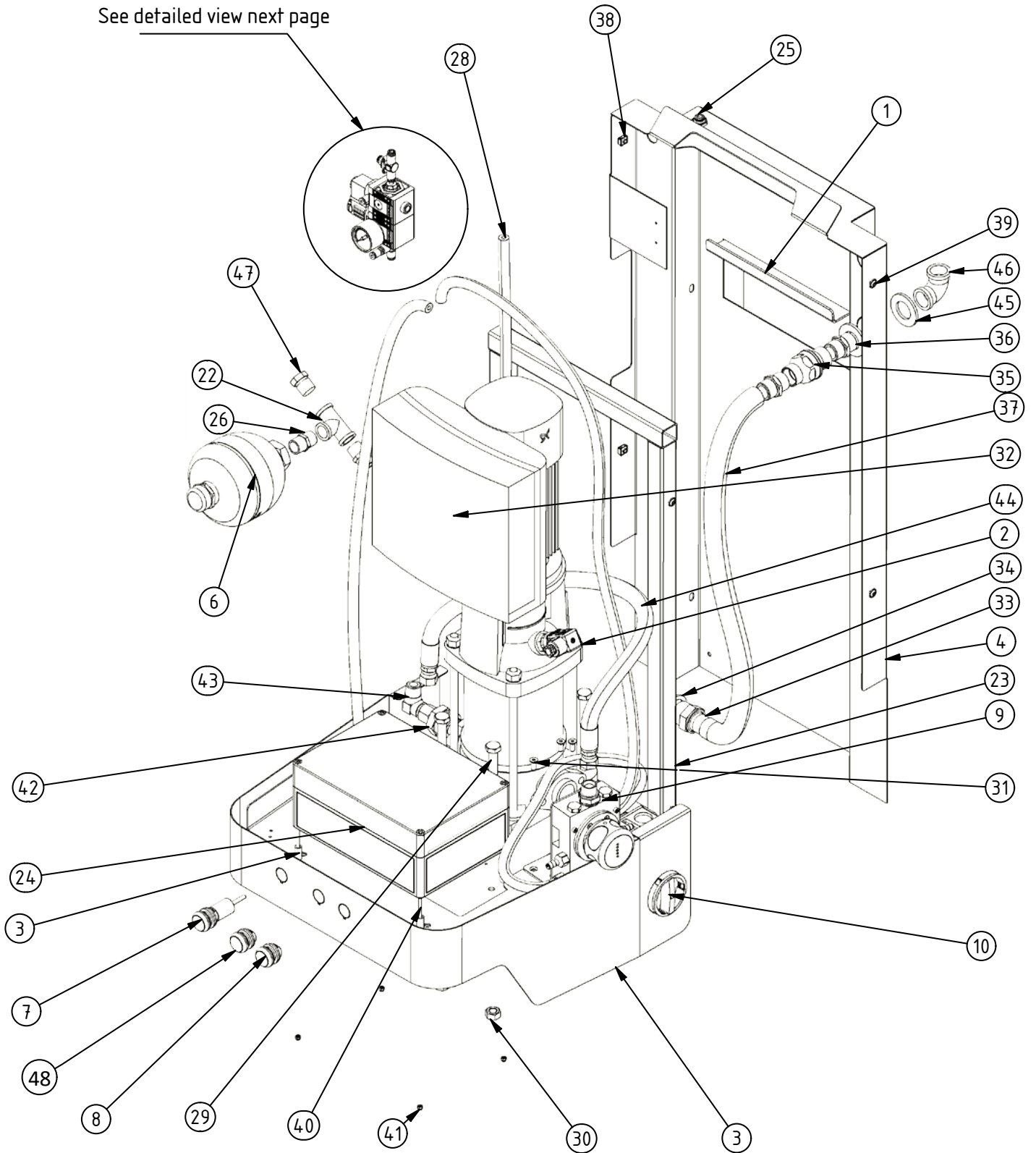


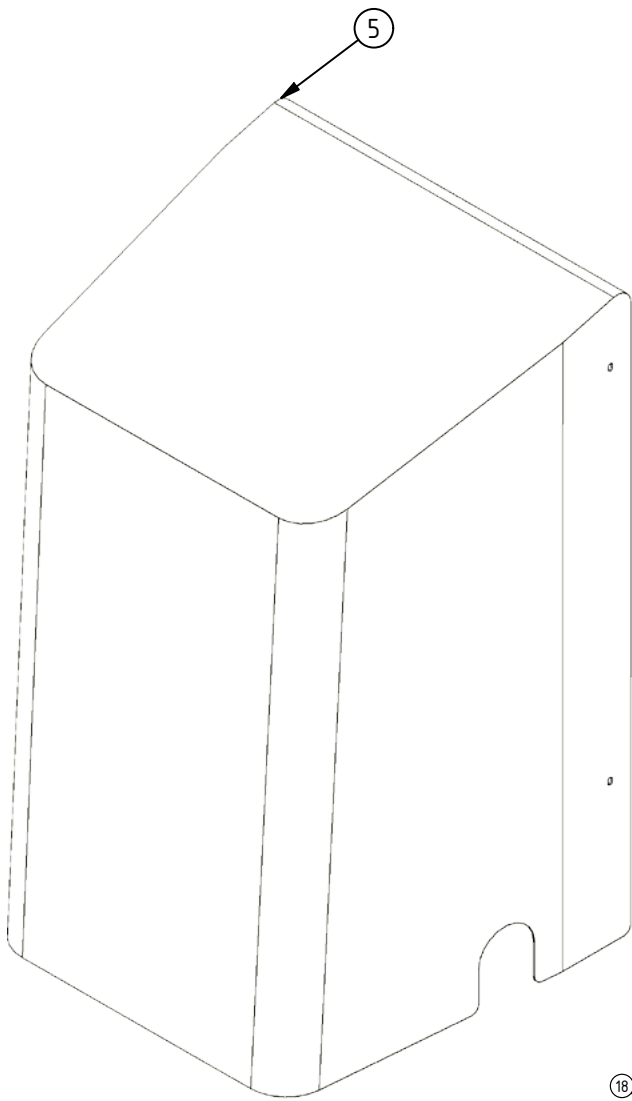
Versions

VISUAL	TYPE	FUNCTIONS	DESCRIPTION
	SWU-20/1-GR-F-R	Foam ^{AIR} - Disinfection - Rinse	Only compressed air with Foam
	SWU-20/1-GR-FD-R	Foam ^{AIR} - Disinfection - Rinse	Only compressed air with Foam
	SWU-20/1-GR-FF-R	Foam ^{AIR} - Foam ^{AIR} - Rinse	Compressed air pressure of both chemical products adjustable with 1 pressure regulator.
	SWU-K-20/1-GR-F-R	Foam ^{AIR} - Disinfection - Rinse	Only compressed air with Foam
	SWU-K-20/1-GR-FD-R	Foam ^{AIR} - Disinfection - Rinse	Only compressed air with Foam
	SWU-K-20/1-GR-FF-R	Foam ^{AIR} - Foam ^{AIR} - Rinse	Compressed air pressure of both chemical products adjustable with 1 pressure regulator.

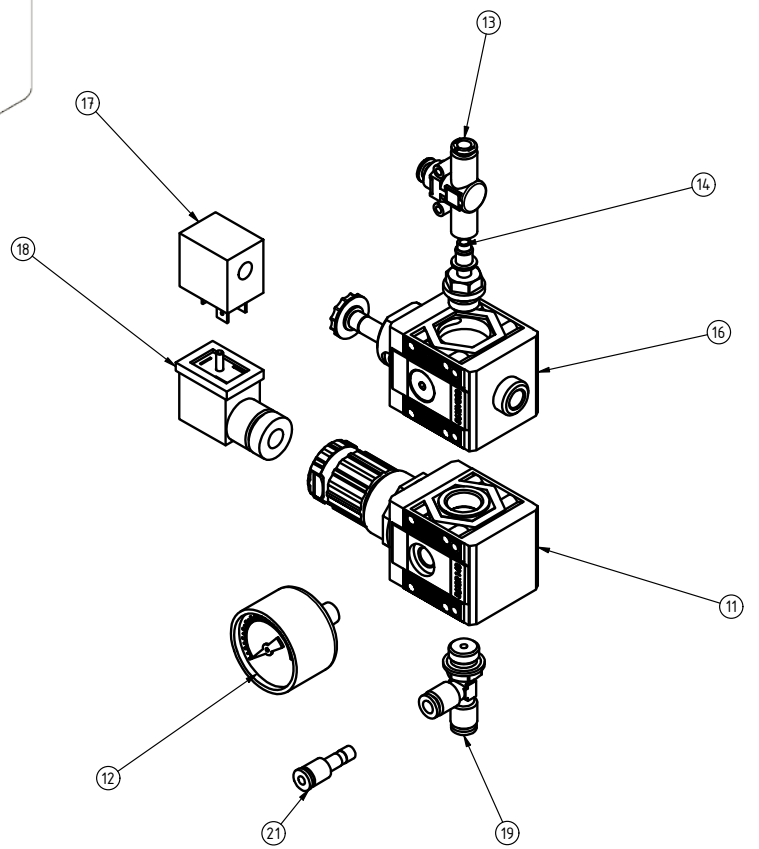
Technical details diagram

Model	SWU-20/1-GR			SWU-K-20/1-GR		
Version	F-R	FD-R	FF-R	F-R	FD-R	FF-R
Visual						
Article number	349880	185215	722438	129529	662915	332763
WATER SUPPLY						
Inlet	3/4" internal thread					
Outlet	1/2" quick connector					
Minimum pressure	1,5 bar / 21.76 psi					
Pre-pressure	0,5-10 bar / 7.25-145.0 psi					
Min. required flow rate	36 l/min / 9.24 USgal/min					
Max. operating pressure (incl. pre-pressure 4 bar)	10 bar / 145.0 psi					
Supply temperature	3-70 °C / 37-160 °F					
Max. HP hose length	25 m					
Outlet pressure	20 bar / 290 psi					
Max. outlet flow at full pressure	30 l/m bar / 7.92 USgal/min					
ELECTRICAL SUPPLY						
Motor power	2,2 kW			3,5 kW		
Cable section	4G1.5 at 5 metres (longer distances require cable calculation)					
Amperage	3 x 16 A					
Voltage	3 x 400 V + PE					
Frequency	50-60 Hz					
Variable-frequency drive	Built into the motor					
Recommended cable cross section	4 x 1.5 mm ²					
DIMENSIONS						
Weight	85 kg / 188 lbs			100 kg / 221 lbs		
Dimensions W x H x D mm	520 x 900 x 550 mm					
Compressor	No compressor			Oil-free		
Max. pressure compressor	10 bar / 145.0 psi					
Flow rate compressor	150 l/m / 39.63 USgal/min					





DETAIL VIEW

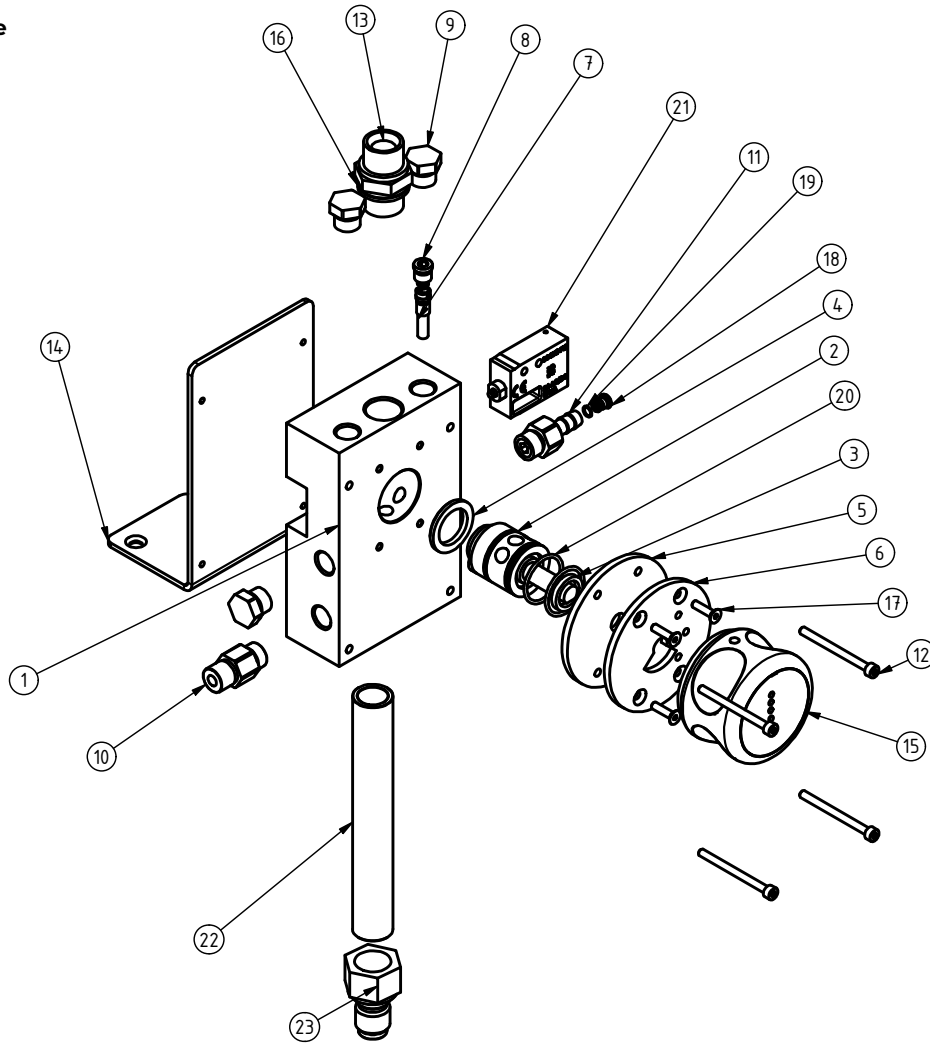


Parts list

Number	Total	Article number	Description
1	1	379038	SWU Wall bracket 2024
2	1	351966	Pressure tr MBS3000 0-60bar 4-20mA 1/4"
3	1	322425	SWU bottom 2024
4	1	575318	SWU back plate 2024
5	1	389756	Cover overhead SWU
6	1	492623	Pressure vessel 0.7 ltr -1/2" 8 bar
7	1	373746	Signal lamp M22 red with cable
8	2	928318	Signal lamp RMQ Compact green surface
9	1		DSW-FD-1-R Assembly
10	1	357685	Main switch 32 A IP66
11	1	357722	Pressure regulator 561_R14 8bar
12	1	357739	Pressure gauge 40mm 1/8" 0-10 bar
13	1	308373	Back flow preventer 6 mm
14	1	373975	Thread adapter R6 diam.6 - 1/4"
15	1	370080	Connecting nipple KIT-9210000
16	1	376891	SYNTESI Shut-off valve-5610V300
17	1	369589	Coil for V3V and APR ELPN-W0215000101
18	1	369596	Connector
19	1	376907	Lateral tee, male, cylindrical, rotary R38-2L38009
20	1	378338	Straight, cylindrical, male R1-2L01001
21	1	379205	Reducer R8-2L08002
22	1	144790	T-piece 1/2 stainless steel 316
23	1	100347	SWU frame 2024
24	1	373777	Cabinet 254x180x110
25	1	378130	Straight coupling 8 mm
26	2	144967	Nipple SS 1/2"
27	4	56800	KNST 6.6 Spacer 6x10x20mm
28	1	726994	PUN-H-8x1 hose green
29	4	119818	Hex Head Bolt M12 x 45
30	4	120180	Nut M12
31	4	338473	Countersunk screw bzk M5x25
32	1	373760	CR1E1-9 JN-CA-T-E-HQQE
33	1	147050	Adapting nipple HD stainless steel 1" x 3/4" male-male BSPP
34	2	378758	Multi-seal sealing ring 1" stainless steel
35	1	133244	Check valve 3/4"
36	2	146756	Nipple HD stainless steel 3/4" male-male BSPP
37	1	376884	Inox flexible 650mm stainless steel 316 3/4"
38	4	579163	Cage nut type SMF Stainless steel (SS) A2 M6-C
39	8	195309	Low head M6x12
40	4	378628	Hexagon socket screw M4x45
41	4	120210	Lock Nut/Ring Stainless Steel A26K M4
42	1	147043	Adapting nipple HD stainless steel 1" x 1/2" male-male BSPP
43	1	307468	Knee HD 1/2" pipe - 1/2"
44	1	359948	Boonsjet linen HD hose 1m 200bar (1/2" male-1/2" swivel) - blue
45	2	376136	Flat washer DIN 125-1A Stainless steel (SS) M27
46	1	144615	Elbow 3/4"
47	1	145056	Plug SS hex head 1/2" M
48	1	382373	Signal Push button, RMQ Compact, green, flat, fixed, 1no/0nc, op

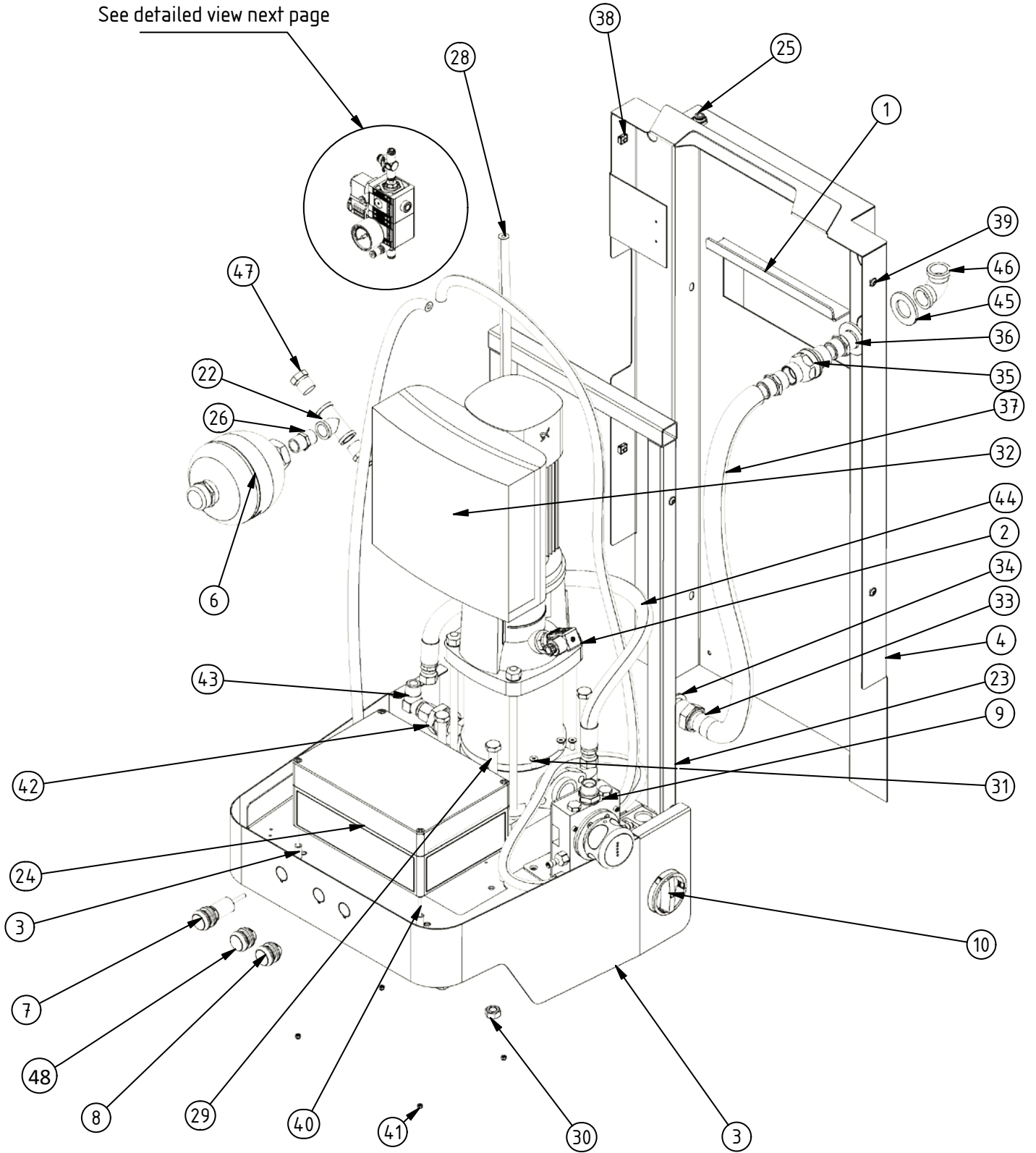


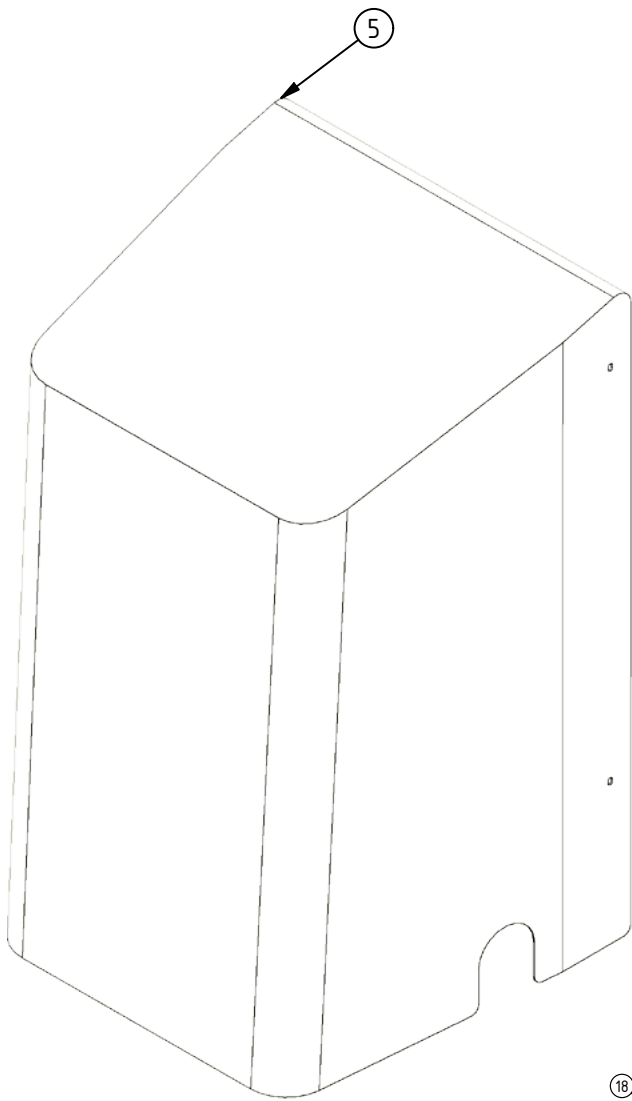
Switch module



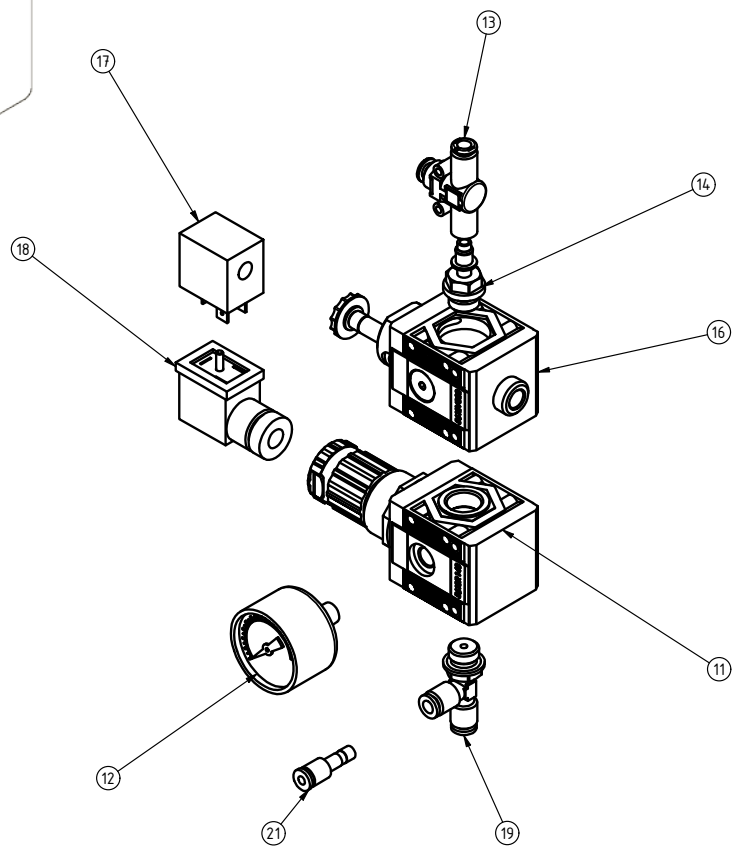
Number	Total	Article number	Description
1	1	378541	DSW_Housing
2	1	378468	Selector DSW
3	1	378482	Brass ring top DSW
4	1	378475	Brass ring bottom DSW
5	1	378420	Plate selection button DSW
6	1	378437	Plate selection button positions DSW
7	1	378604	Counter nozzle 2.8
8	1	378567	Injectornozzle 2.1
9	3	378512	Stop M14
10	1	378536	Compressed air supply incl. check valve M14x1
11	1	378529	Chemical supply incl. non-return valve M14x1
12	4	358064	Hexagon socket bolt M4x50
13	1	145971	Nipple HD 1/2" M-i BSPP
14	1	240139	SWU beugel DSW 2024
15	1	373920	Switch button Boons
16	1	370950	Multi-seal 1/2" SS
17	4	378635	Countersunk hexagon bolt M4 x14
18	1	870515	Dosing nozzle 1.0 SS
19	1	375047	O-ring 4x1 EDPM 70 Shore
20	2	238582	O-ring NBR ø 26.7 x 1.78
21	1	218917	Switch housing 24V ACDC 15mA
22	1	378505	Outlet tube 150 mm
23	1	307000	Adapter RVS 1/2" bin SU

See detailed view next page





DETAIL VIEW

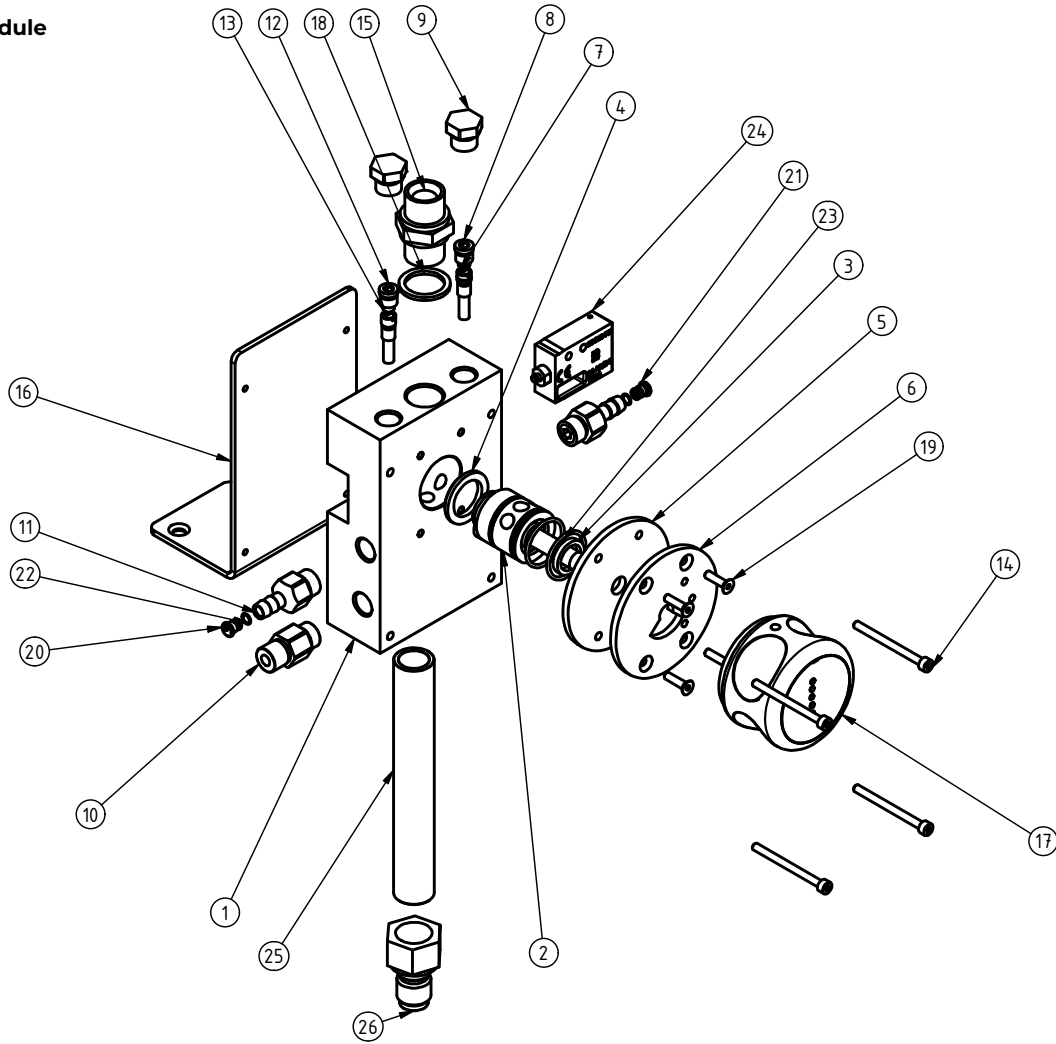


Parts list

Number	Total	Article number	Description
1	1	379038	SWU Wall bracket 2024
2	1	351966	Pressure tr MBS3000 0-60bar 4-20mA 1/4"
3	1	322425	SWU bottom 2024
4	1	575318	SWU back plate 2024
5	1	389756	Cover overhead SWU
6	1	492623	Pressure vessel 0.7 ltr -1/2" 8 bar
7	1	373746	Signal lamp M22 red with cable
8	2	928318	Signal lamp RMQ Compact green surface
9	1		DSW-FD-1-R Assembly
10	1	357685	Main switch 32 A IP66
11	1	357722	Pressure regulator 561_R14 8bar
12	1	357739	Pressure gauge 40mm 1/8" 0-10 bar
13	1	308373	Back flow preventer 6 mm
14	1	373975	Thread adapter R6 diam.6 - 1/4"
15	1	370080	Connecting nipple KIT-9210000
16	1	376891	SYNTESI Shut-off valve-5610V300
17	1	369589	Coil for V3V and APR ELPN-W0215000101
18	1	369596	Connector
19	1	376907	Lateral tee, male, cylindrical, rotary R38-2L38009
20	1	378338	Straight, cylindrical, male R1-2L01001
21	1	379205	Reducer R8-2L08002
22	1	144790	T-piece 1/2 stainless steel 316
23	1	100347	SWU frame 2024
24	1	373777	Cabinet 254x180x110
25	1	378130	Straight coupling 8 mm
26	2	144967	Nipple SS 1/2"
27	4	56800	KNST 6.6 Spacer 6x10x20mm
28	1	726994	PUN-H-8x1 hose green
29	4	119818	Hex Head Bolt M12 x 45
30	4	120180	Nut M12
31	4	338473	Countersunk screw bzk M5x25
32	1	373760	CRIE1-9 JN-CA-T-E-HQQE
33	1	147050	Adapting nipple HD stainless steel 1" x 3/4" male-male BSPP
34	2	378758	Multi-seal sealing ring 1" stainless steel
35	1	133244	Check valve 3/4"
36	2	146756	Nipple HD stainless steel 3/4" male-male BSPP
37	1	376884	Inox flexible 650mm stainless steel 316 3/4"
38	4	579163	Cage nut type SMF Stainless steel (SS) A2 M6-C
39	8	195309	Low head M6x12
40	4	378628	Hexagon socket screw M4x45
41	4	120210	Lock Nut/Ring Stainless Steel A26K M4
42	1	147043	Adapting nipple HD stainless steel 1" x 1/2" male-male BSPP
43	1	307468	Knee HD 1/2" pipe - 1/2"
44	1	359948	Boonsjet linen HD hose 1m 200bar (1/2" male-1/2" swivel) - blue
45	2	376136	Flat washer DIN 125-1A Stainless steel (SS) M27
46	1	144615	Elbow 3/4"
47	1	145056	Plug SS hex head 1/2" M
48	1	382373	Signal Push button, RMQ Compact, green, flat, fixed, 1no/0nc, op

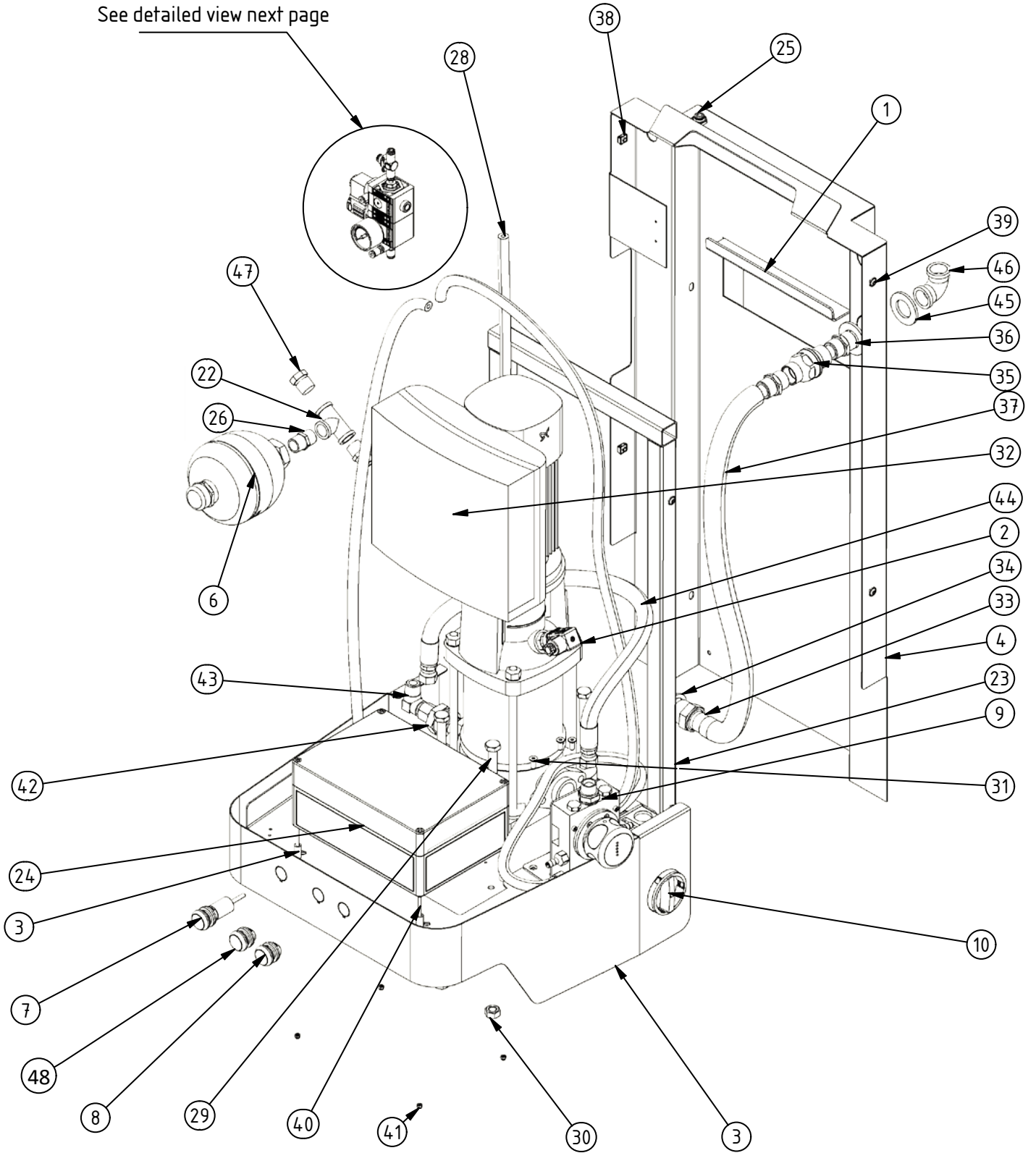


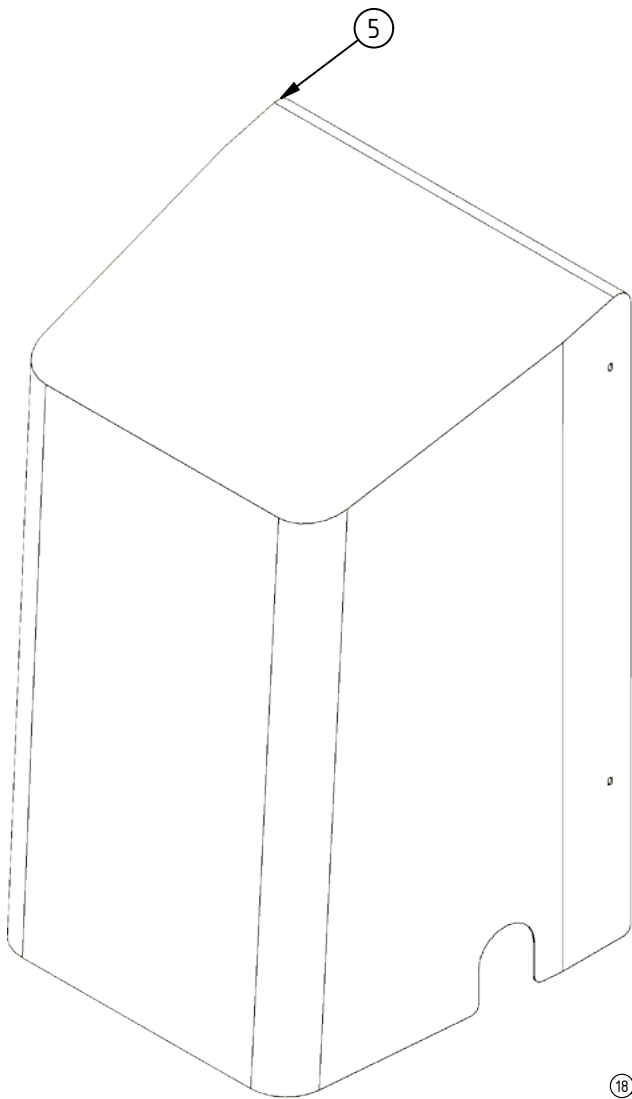
Switch module



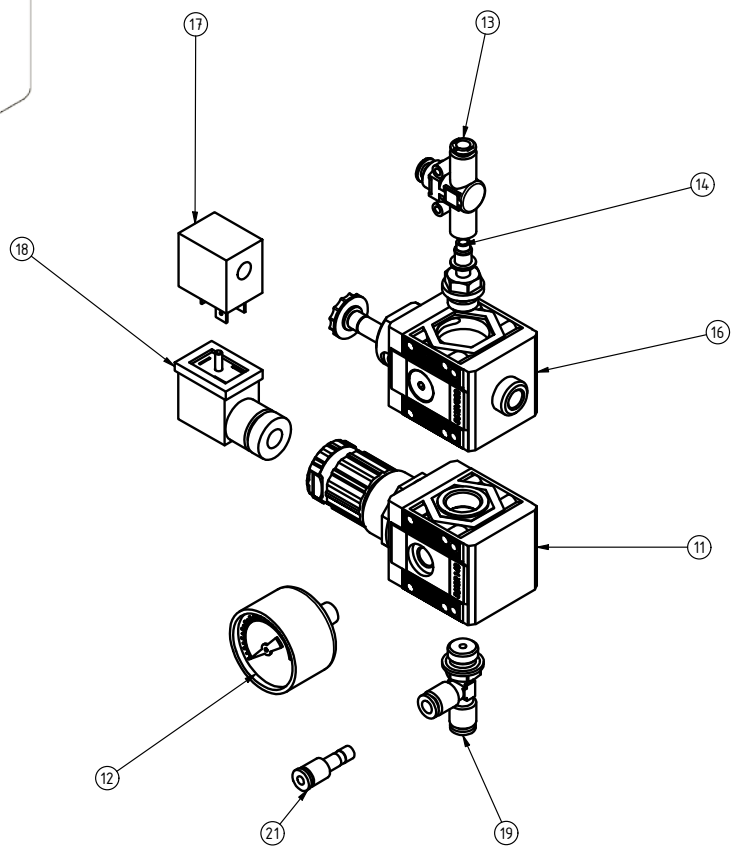
Number	Total	Article number	Description
1	1	378541	DSW_Housing
2	1	378468	Selector DSW
3	1	378482	Brass ring top DSW
4	1	378475	Brass ring bottom DSW
5	1	378420	Plate selection button DSW
6	1	378437	Plate selection button positions DSW
7	1	378604	Counter nozzle 2.8
8	1	378567	Injectornozzle 2.1
9	2	378512	Stop M14
10	1	378536	Compressed air supply incl. check valve M14x1
11	2	378529	Chemical supply incl. non-return valve M14x1
12	1	378550	Injectornozzle 1.6
13	1	376402	Counter nozzle 2.0
14	4	358064	Hexagon socket bolt M4x50
15	1	145971	Nipple HD 1/2" M-i BSPP
16	1	240139	SWU beugel DSW 2024
17	1	373920	Switch button Boons
18	1	370950	Multi-seal 1/2" SS
19	4	378635	Countersunk hexagon bolt M4 x14
20	1	689891	Dosing nozzle 0.5 SS
21	1	870515	Dosing nozzle 1.0 SS
22	2	375047	O-ring 4x1 EDPM 70 Shore
23	2	238582	O-ring NBR ø 26.7 x 1.78
24	1	218917	Switch housing 24V ACDC 15mA
25	1	378505	Outlet tube 150 mm
26	1	307000	Adapter RVS 1/2" bin SU

See detailed view next page





DETAIL VIEW

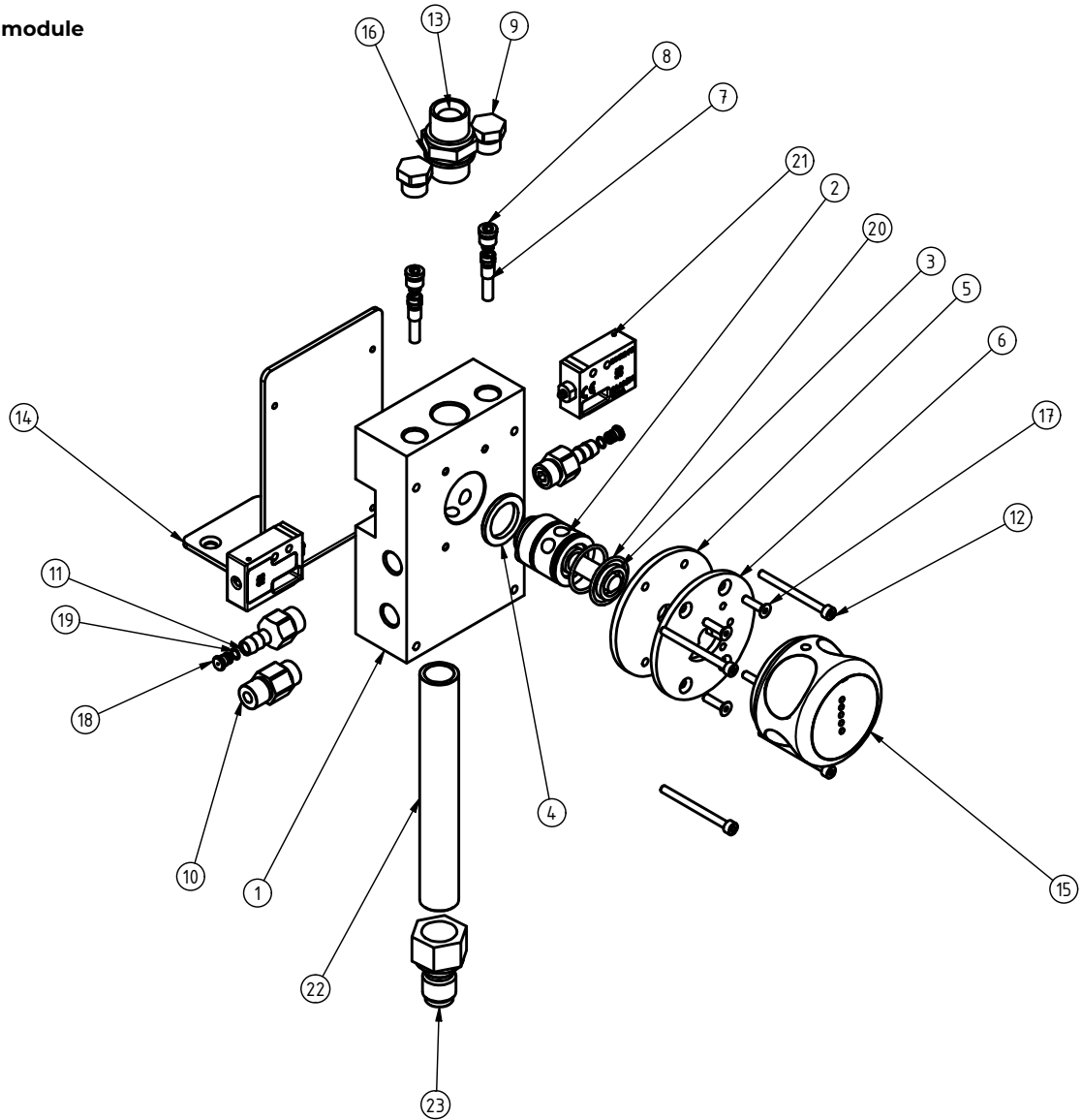


Parts list

Number	Total	Article number	Description
1	1	379038	SWU Wall bracket 2024
2	1	351966	Pressure tr MBS3000 0-60bar 4-20mA 1/4"
3	1	322425	SWU bottom 2024
4	1	575318	SWU back plate 2024
5	1	389756	Cover overhead SWU
6	1	492623	Pressure vessel 0.7 ltr -1/2" 8 bar
7	1	373746	Signal lamp M22 red with cable
8	2	928318	Signal lamp RMQ Compact green surface
9	1		DSW-FD-1-R Assembly
10	1	357685	Main switch 32 A IP66
11	1	357722	Pressure regulator 561_R14 8bar
12	1	357739	Pressure gauge 40mm 1/8" 0-10 bar
13	1	308373	Back flow preventer 6 mm
14	1	373975	Thread adapter R6 diam.6 - 1/4"
15	1	370080	Connecting nipple KIT-9210000
16	1	376891	SYNTESI Shut-off valve-5610V300
17	1	369589	Coil for V3V and APR ELPN-W0215000101
18	1	369596	Connector
19	1	376907	Lateral tee, male, cylindrical, rotary R38-2L38009
20	1	378338	Straight, cylindrical, male R1-2L01001
21	1	379205	Reducer R8-2L08002
22	1	144790	T-piece 1/2 stainless steel 316
23	1	100347	SWU frame 2024
24	1	373777	Cabinet 254x180x110
25	1	378130	Straight coupling 8 mm
26	2	144967	Nipple SS 1/2"
27	4	56800	KNST 6.6 Spacer 6x10x20mm
28	1	726994	PUN-H-8x1 hose green
29	4	119818	Hex Head Bolt M12 x 45
30	4	120180	Nut M12
31	4	338473	Countersunk screw bzk M5x25
32	1	373760	CR1E1-9 JN-CA-T-E-HQQE
33	1	147050	Adapting nipple HD stainless steel 1" x 3/4" male-male BSPP
34	2	378758	Multi-seal sealing ring 1" stainless steel
35	1	133244	Check valve 3/4"
36	2	146756	Nipple HD stainless steel 3/4" male-male BSPP
37	1	376884	Inox flexible 650mm stainless steel 316 3/4"
38	4	579163	Cage nut type SMF Stainless steel (SS) A2 M6-C
39	8	195309	Low head M6x12
40	4	378628	Hexagon socket screw M4x45
41	4	120210	Lock Nut/Ring Stainless Steel A26K M4
42	1	147043	Adapting nipple HD stainless steel 1" x 1/2" male-male BSPP
43	1	307468	Knee HD 1/2" pipe - 1/2"
44	1	359948	Boonsjet linen HD hose 1m 200bar (1/2" male-1/2" swivel) - blue
45	2	376136	Flat washer DIN 125-1A Stainless steel (SS) M27
46	1	144615	Elbow 3/4"
47	1	145056	Plug SS hex head 1/2" M
48	1	382373	Signal Push button, RMQ Compact, green, flat, fixed, 1no/0nc, op

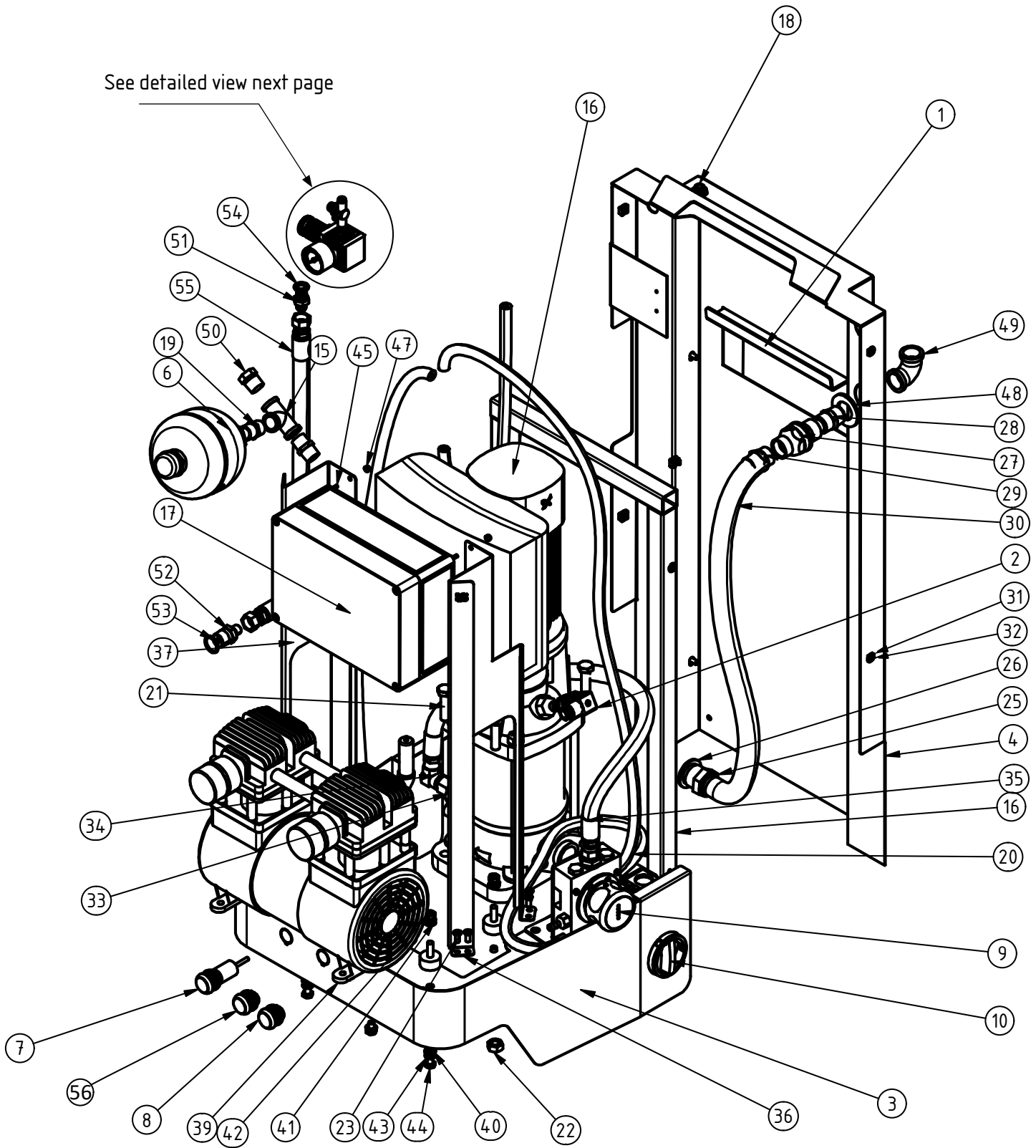


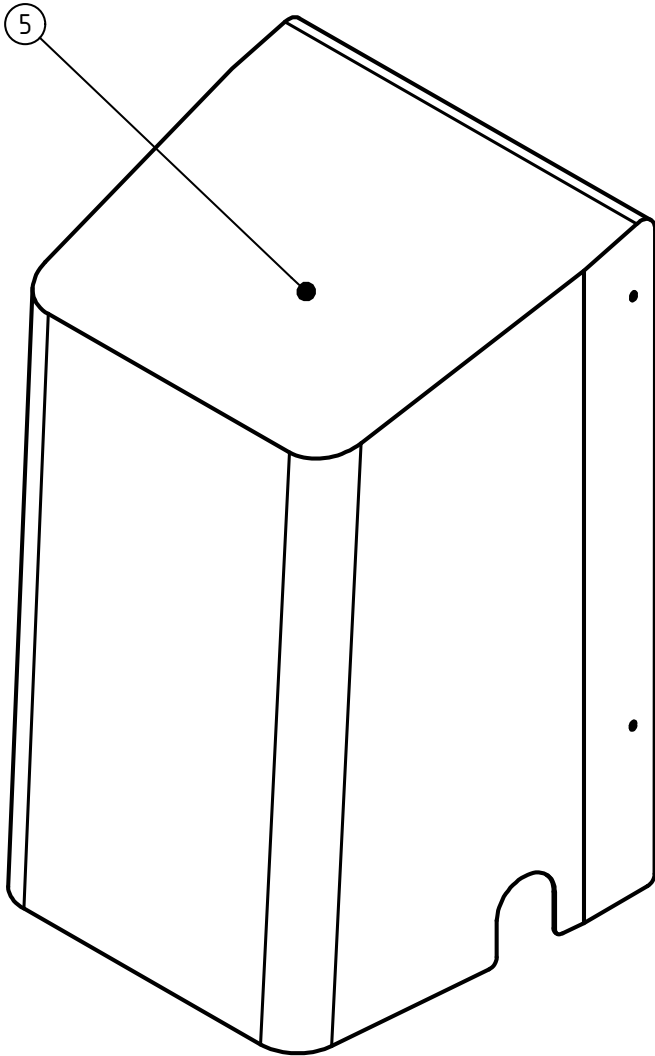
Switch module



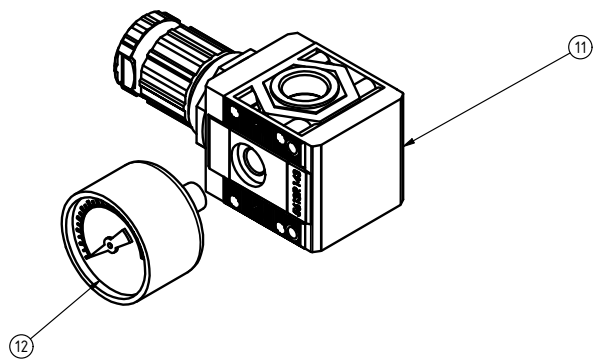
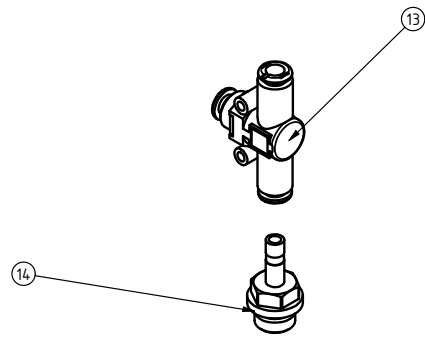
Number	Total	Article number	Description
1	1	378541	DSW_Housing
2	1	378468	Selector DSW
3	1	378482	Brass ring top DSW
4	1	378475	Brass ring bottom DSW
5	1	378420	Plate selection button DSW
6	1	378437	Plate selection button positions DSW
7	2	378604	Counter nozzle 2.8
8	2	378567	Injectornozzle 2.1
9	2	378512	Stop M14
10	1	378536	Compressed air supply incl. check valve M14x1
11	2	378529	Chemical supply incl. non-return valve M14x1
12	4	358064	Hexagon socket bolt M4x50
13	1	145971	Nipple HD 1/2" M-i BSPP
14	1	240139	SWU beugel DSW 2024
15	1	373920	Switch button Boons
16	1	370950	Multi-seal 1/2" SS
17	4	378635	Countersunk hexagon bolt M4 x14
18	2	870515	Dosing nozzle 1.0 SS
19	2	375047	O-ring 4x1 EDPM 70 Shore
20	2	238582	O-ring NBR ø 26.7 x 1.78
21	2	218917	Switch housing 24V ACDC 15mA
22	1	378505	Outlet tube 150 mm
23	1	307000	Adapter RVS 1/2" bin SU

See detailed view next page





DETAIL VIEW

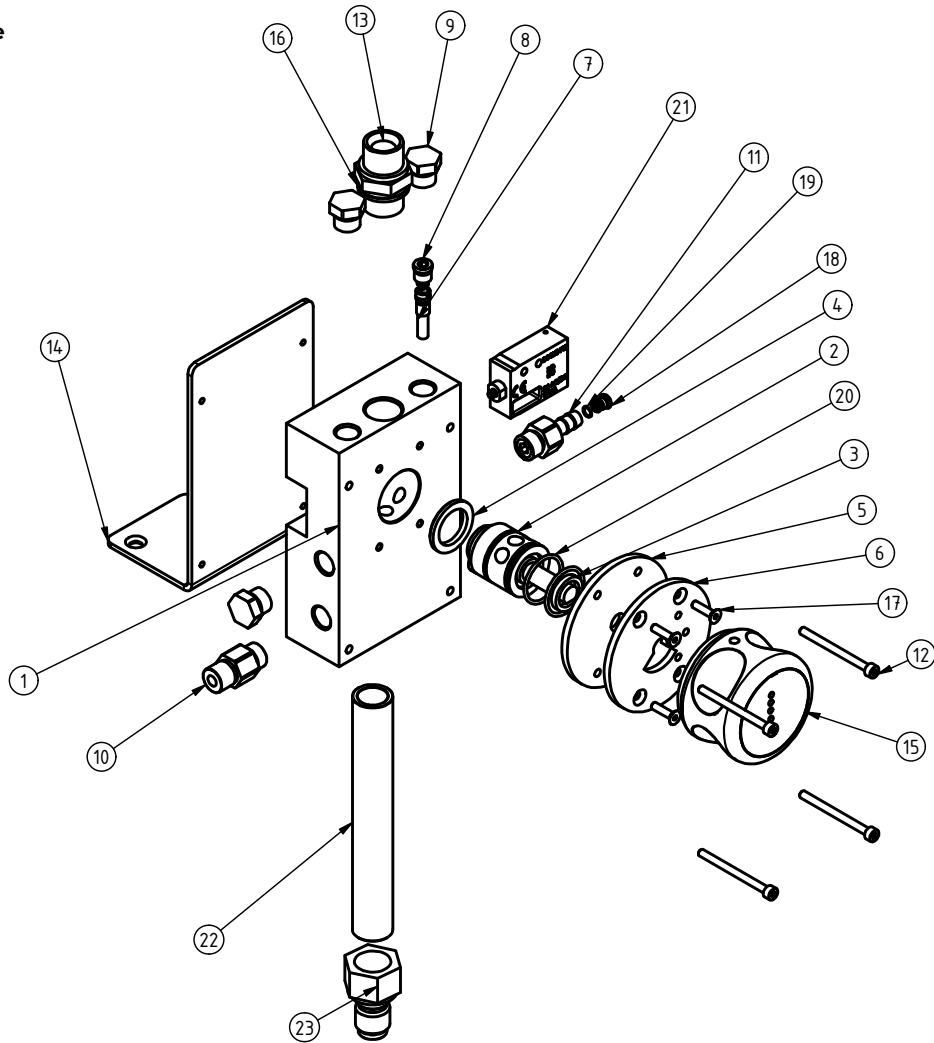


Parts list

Number	Total	Article number	Description
1	1	379038	SWU Wall bracket 2024
2	1	351966	Pressure tr MBS3000 0-60bar 4-20mA 1/4"
3	1	322425	SWU bottom
4	1	575318	SWU back plate
5	1	389756	SWU Cover-over hood 20bar
6	1	492623	Pressure vessel 0.7 ltr -1/2" 8 bar
7	1	373746	Signal lamp M22 red with cable
8	2	373739	Signal Push button RMQ Compact green
9	1		DSW-FD-1-R Assembly
10	1	357685	Main switch 32 A IP66
11	1	357722	Pressure regulator 561_R14 8bar
12	1	357739	Pressure gauge 40mm 1/8" 0-10 bar
13	1	308373	Back flow preventer 6 mm
14	1	373975	Thread adapter R6 diam.6 - 1/4"
15	1	144790	Stainless steel T-piece 1/2"
16	1	100347	SWU frame
17	1	373777	Cabinet 254x180x110
18	1	378130	Straight coupling 8 mm
19	2	146749	Nippel HD RVS 1/2" bui-bui BSPP
20	2	370257	PUN-H-6x1 tube blue/ m
21	4	119818	Hex Head Bolt M12 x 45
22	4	120180	Nut M12
23	12	338473	Countersunk screw M5x25
24	1	373760	Grundfos CRIE1-9 JN-CA-T-E-HQQE 3x380-500 60HZ
25	1	147050	Adapting nipple HD stainless steel 1" x 3/4" male - male BSPP
26	2	378758	Multi-seal sealing ring 1" stainless steel
27	1	133244	Check valve stainless steel 304 3/4" Viton
28	1	146756	Nipple high pressure stainless steel 3/4" outside-outside BSPP
29	1	145893	Nipple High pressure 3/4" male-male BSPT
30	1	376884	Inox Flexible 650mm stainless steel 316 3/4" 2x 3/4" bin 90° concentric
31	4	579163	Cage nut type SMF Stainless steel
32	8	195309	Low-profile dome head bolt M6x12
33	1	147043	Reducing nipple high pressure stainless steel 1" x 1/2" outside-outside BSPP
34	1	307468	Knee high pressure 1/2" outside - 1/2"
35	1	359948	Boonesjet linen High pressure - hose 1m 200bar ((1/2" pipe-1/2" swivel)
36	1	378949	Bracket electrical cabinet right
37	1	378925	Bracket electrical cabinet left
39	1	373807	Compressor
40	8	119917	Washer M8
41	4	120012	Spring washer M8
42	4	120166	Hex Nut SS M8
43	4	120012	Spring washer M8
44	4	119573	Stainless steel hexagon bolt M8x12 DIN933
45	4	119245	Allen screw stainless steel M4x12 DIN 912
46	2	119887	Washer stainless steel M4
47	4	120210	Lock nut/washer stainless steel A26K M4
48	2	376136	Washer stainless steel M27
49	1	144615	Elbow 3/4"
50	1	145056	Plug SS hex head 1/2" M
51	1	146725	Nippel HD RVS 1/4" bui-bui BSPP
52	1	146992	Adapting nipple HD stainless steel 1/2" x 1/4" male-male BSPP
53	1	370950	Multiseal 1/2"
54	1	370943	Multi-seal afdichtring 1/4" RVS
55	1	736348	Hose 1/4" 20 bar 100°C 0.65m (1/4" stainless steel union - 1/4" stainless steel right angle union)
56	1	928318	Signal lamp RMQ Compact green surface

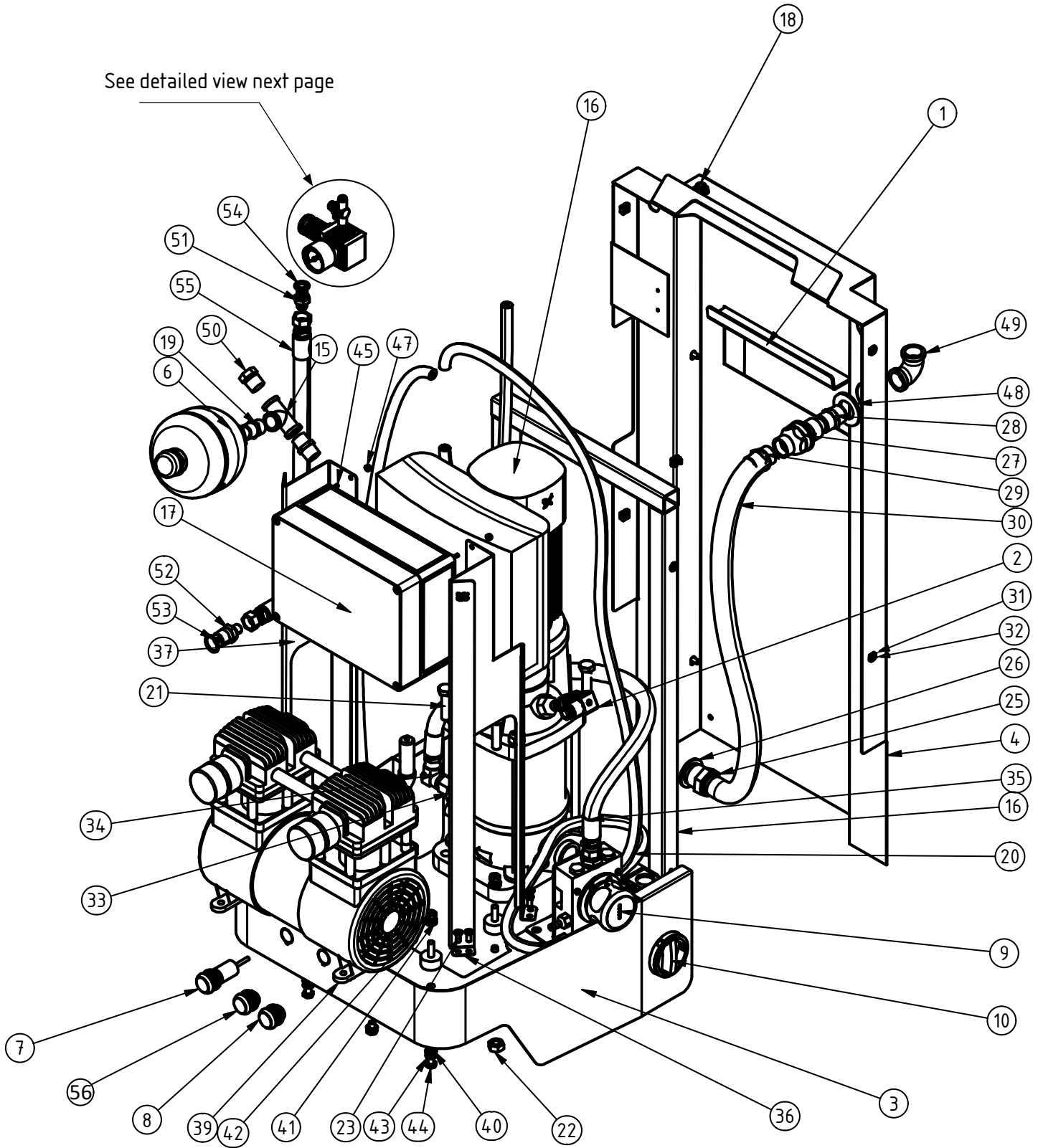


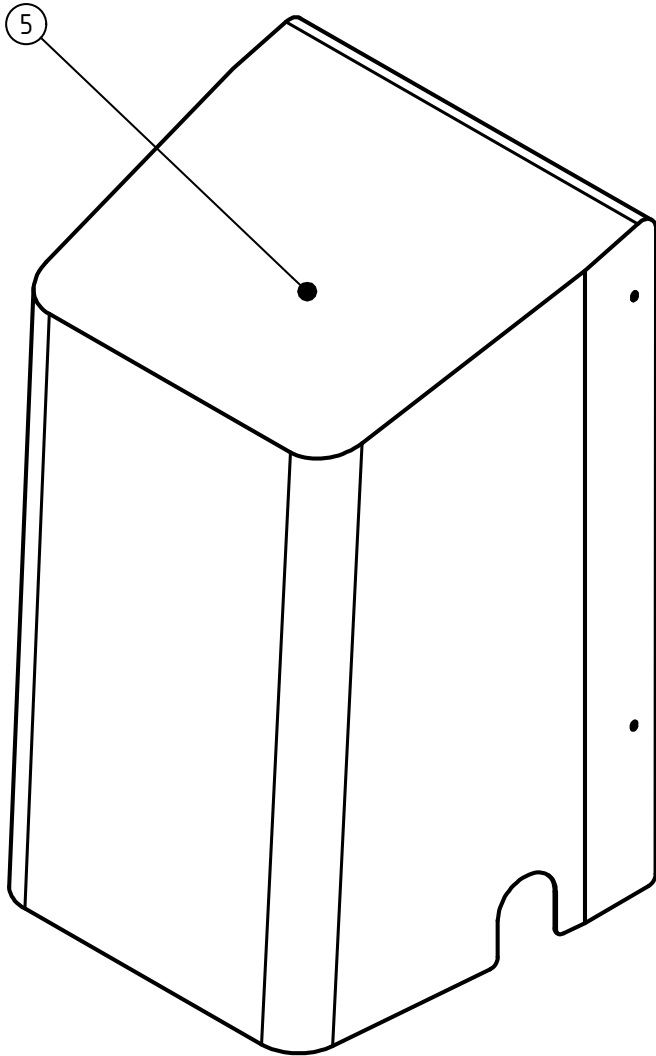
Switch module



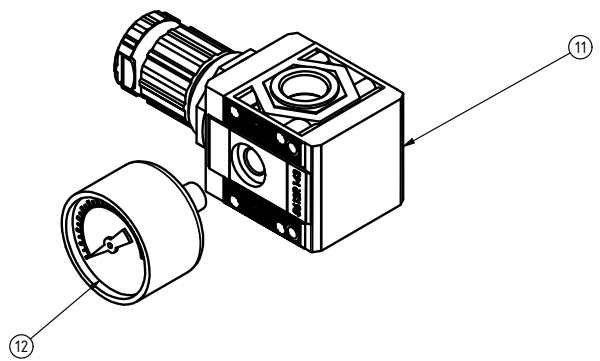
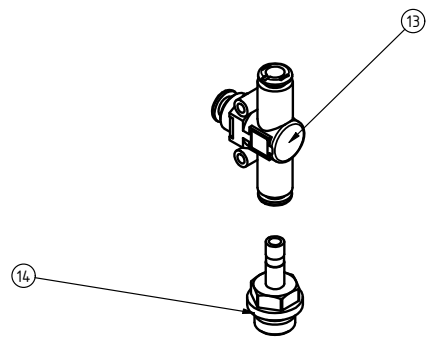
Number	Total	Article number	Description
1	1	378541	DSW_Housing
2	1	378468	Selector DSW
3	1	378482	Brass ring top DSW
4	1	378475	Brass ring bottom DSW
5	1	378420	Plate selection button DSW
6	1	378437	Plate selection button positions DSW
7	1	378604	Counter nozzle 2.8
8	1	378567	Injectornozzle 2.1
9	3	378512	Stop M14
10	1	378536	Compressed air supply incl. check valve M14x1
11	1	378529	Chemical supply incl. non-return valve M14x1
12	4	358064	hexagon socket bolt M4x50
13	1	145971	Nipple HD 1/2" M-i BSPP
14	1	240139	SWU beugel DSW 2024
15	1	373920	Switch button Boons
16	1	370950	Multi-seal 1/2" SS
17	4	378635	Countersunk hexagon bolt M4 x14
18	1	870515	Dosing nozzle 1.0 SS
19	1	375047	O-ring 4x1 EDPM 70 Shore
20	2	238582	O-ring NBR ø 26.7 x 1.78
21	1	218917	Switch housing 24V ACDC 15mA
22	1	378505	Outlet tube 150 mm
23	1	307000	Adapter RVS 1/2" bin SU

See detailed view next page





DETAIL VIEW

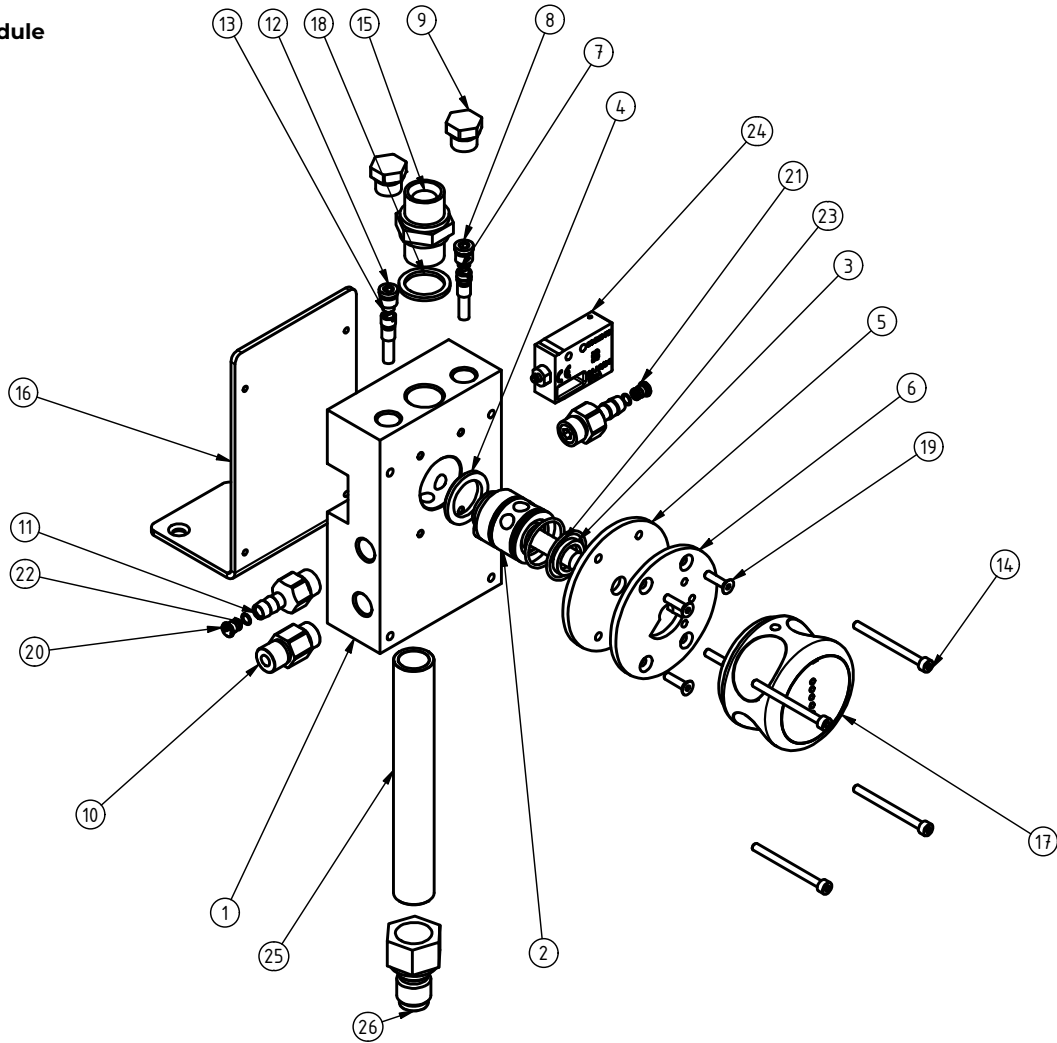


Parts list

Number	Total	Article number	Description
1	1	379038	SWU Wall bracket 2024
2	1	351966	Pressure tr MBS3000 0-60bar 4-20mA 1/4"
3	1	322425	SWU bottom
4	1	575318	SWU back plate
5	1	389756	SWU Cover-over hood 20bar
6	1	492623	Pressure vessel 0.7 ltr -1/2" 8 bar
7	1	373746	Signal lamp M22 red with cable
8	2	373739	Signal Push button RMQ Compact green
9	1		DSW-FD-1-R Assembly
10	1	357685	Main switch 32 A IP66
11	1	357722	Pressure regulator 561_R14 8bar
12	1	357739	Pressure gauge 40mm 1/8" 0-10 bar
13	1	308373	Back flow preventer 6 mm
14	1	373975	Thread adapter R6 diam.6 - 1/4"
15	1	144790	Stainless steel T-piece 1/2"
16	1	100347	SWU frame
17	1	373777	Cabinet 254x180x110
18	1	378130	Straight coupling 8 mm
19	2	146749	Nippel HD RVS 1/2" bui-bui BSPP
20	2	370257	PUN-H-6x1 tube blue/ m
21	4	119818	Hex Head Bolt M12 x 45
22	4	120180	Nut M12
23	12	338473	Countersunk screw M5x25
24	1	373760	Grundfos CRIE1-9 JN-CA-T-E-HQQE 3x380-500 60HZ
25	1	147050	Adapting nipple HD stainless steel 1" x 3/4" male - male BSPP
26	2	378758	Multi-seal sealing ring 1" stainless steel
27	1	133244	Check valve stainless steel 304 3/4" Viton
28	1	146756	Nipple high pressure stainless steel 3/4" outside-outside BSPP
29	1	145893	Nipple High pressure 3/4" male-male BSPT
30	1	376884	Inox Flexible 650mm stainless steel 316 3/4" 2x 3/4" bin 90° concentric
31	4	579163	Cage nut type SMF Stainless steel
32	8	195309	Low-profile dome head bolt M6x12
33	1	147043	Reducing nipple high pressure stainless steel 1" x 1/2" outside-outside BSPP
34	1	307468	Knee high pressure 1/2" outside - 1/2"
35	1	359948	Boonesjet linen High pressure - hose 1m 200bar ((1/2" pipe-1/2" swivel)
36	1	378949	Bracket electrical cabinet right
37	1	378925	Bracket electrical cabinet left
39	1	373807	Compressor
40	8	119917	Washer M8
41	4	120012	Spring washer M8
42	4	120166	Hex Nut SS M8
43	4	120012	Spring washer M8
44	4	119573	Stainless steel hexagon bolt M8x12 DIN933
45	4	119245	Allen screw stainless steel M4x12 DIN 912
46	2	119887	Washer stainless steel M4
47	4	120210	Lock nut/washer stainless steel A26K M4
48	2	376136	Washer stainless steel M27
49	1	144615	Elbow 3/4"
50	1	145056	Plug SS hex head 1/2" M
51	1	146725	Nippel HD RVS 1/4" bui-bui BSPP
52	1	146992	Adapting nipple HD stainless steel 1/2" x 1/4" male-male BSPP
53	1	370950	Multiseal 1/2"
54	1	370943	Multi-seal afdichtring 1/4" RVS
55	1	736348	Hose 1/4" 20 bar 100°C 0.65m (1/4" stainless steel union - 1/4" stainless steel right angle union)
56	1	928318	Signal lamp RMQ Compact green surface

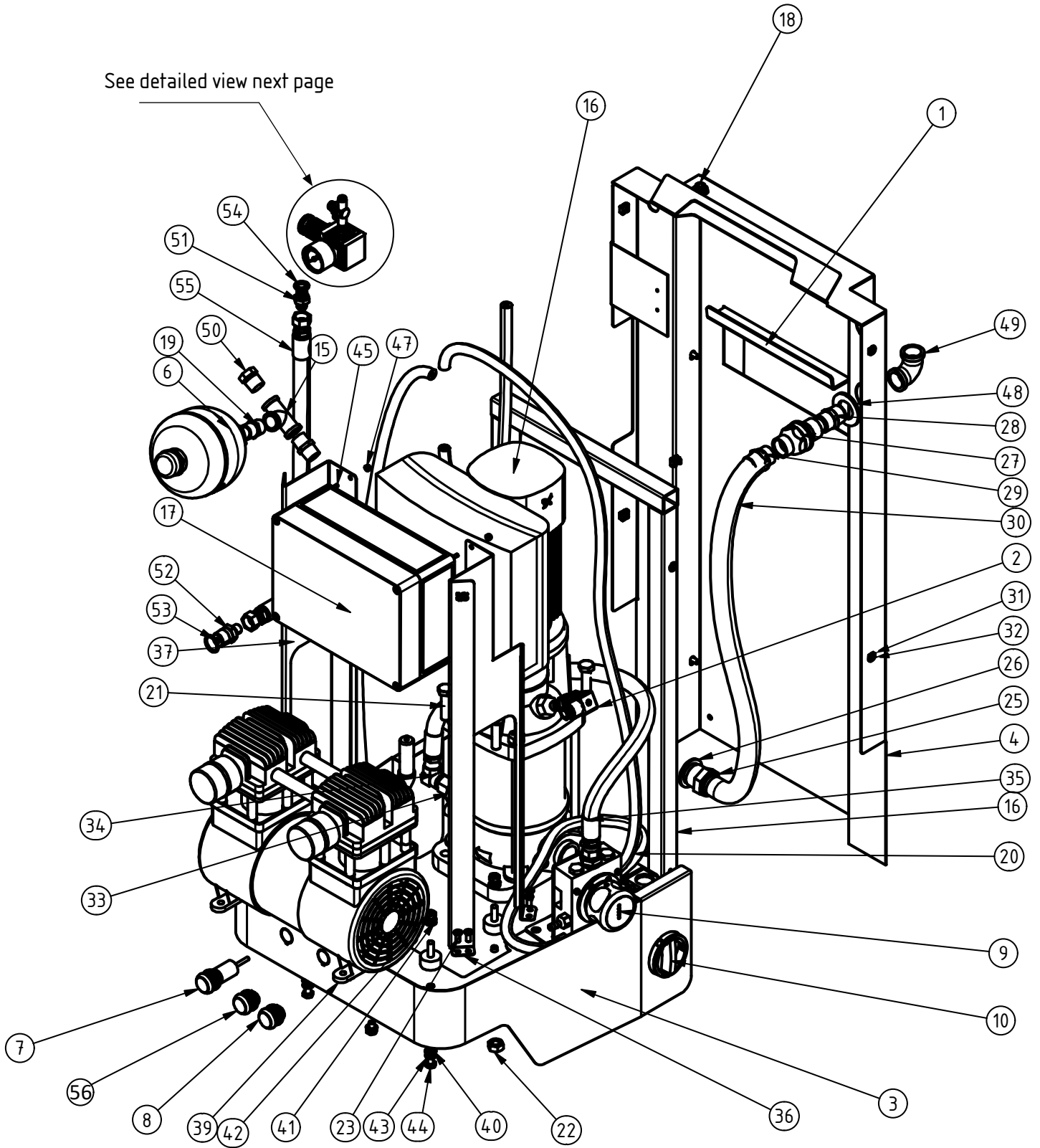


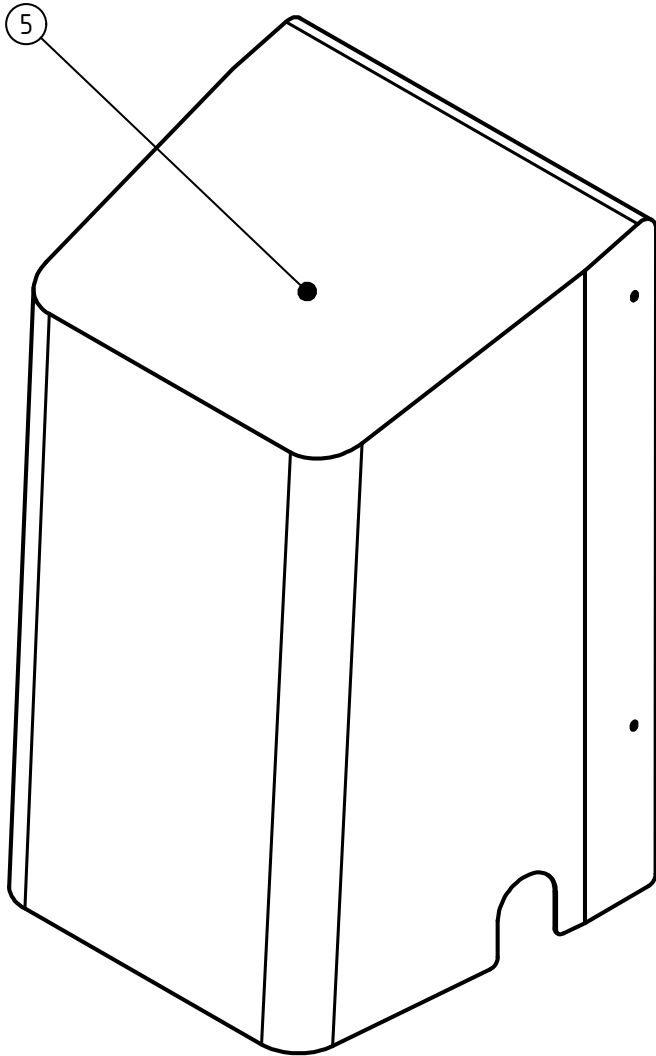
Switch module



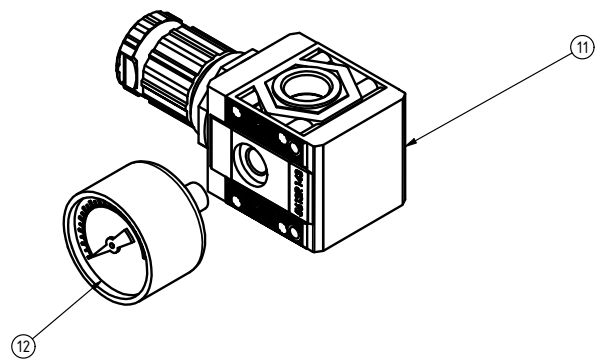
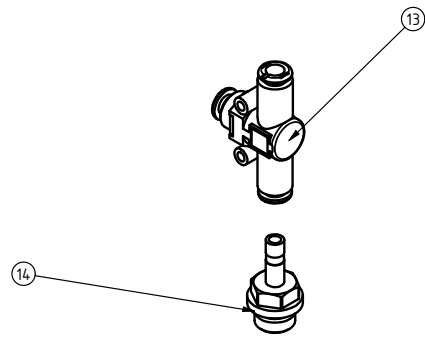
Number	Total	Article number	Description
1	1	378541	DSW_Housing
2	1	378468	Selector DSW
3	1	378482	Brass ring top DSW
4	1	378475	Brass ring bottom DSW
5	1	378420	Plate selection button DSW
6	1	378437	Plate selection button positions DSW
7	1	378604	Counter nozzle 2.8
8	1	378567	Injectornozzle 2.1
9	2	378512	Stop M14
10	1	378536	Compressed air supply incl. check valve M14x1
11	2	378529	Chemical supply incl. non-return valve M14x1
12	1	378550	Injectornozzle 1.6
13	1	376402	Counter nozzle 2.0
14	4	358064	hexagon socket bolt M4x50
15	1	145971	Nipple HD 1/2" M-i BSPP
16	1	240139	SWU beugel DSW 2024
17	1	373920	Switch button Boons
18	1	370950	Multi-seal 1/2" SS
19	4	378635	Countersunk hexagon bolt M4 x14
20	1	689891	Dosing nozzle 0.5 SS
21	1	870515	Dosing nozzle 1.0 SS
22	2	375047	O-ring 4x1 EDPM 70 Shore
23	2	238582	O-ring NBR ø 26.7 x 1.78
24	1	218917	Switch housing 24V ACDC 15mA
25	1	378505	Outlet tube 150 mm
26	1	307000	Adapter RVS 1/2" bin SU

See detailed view next page





DETAIL VIEW

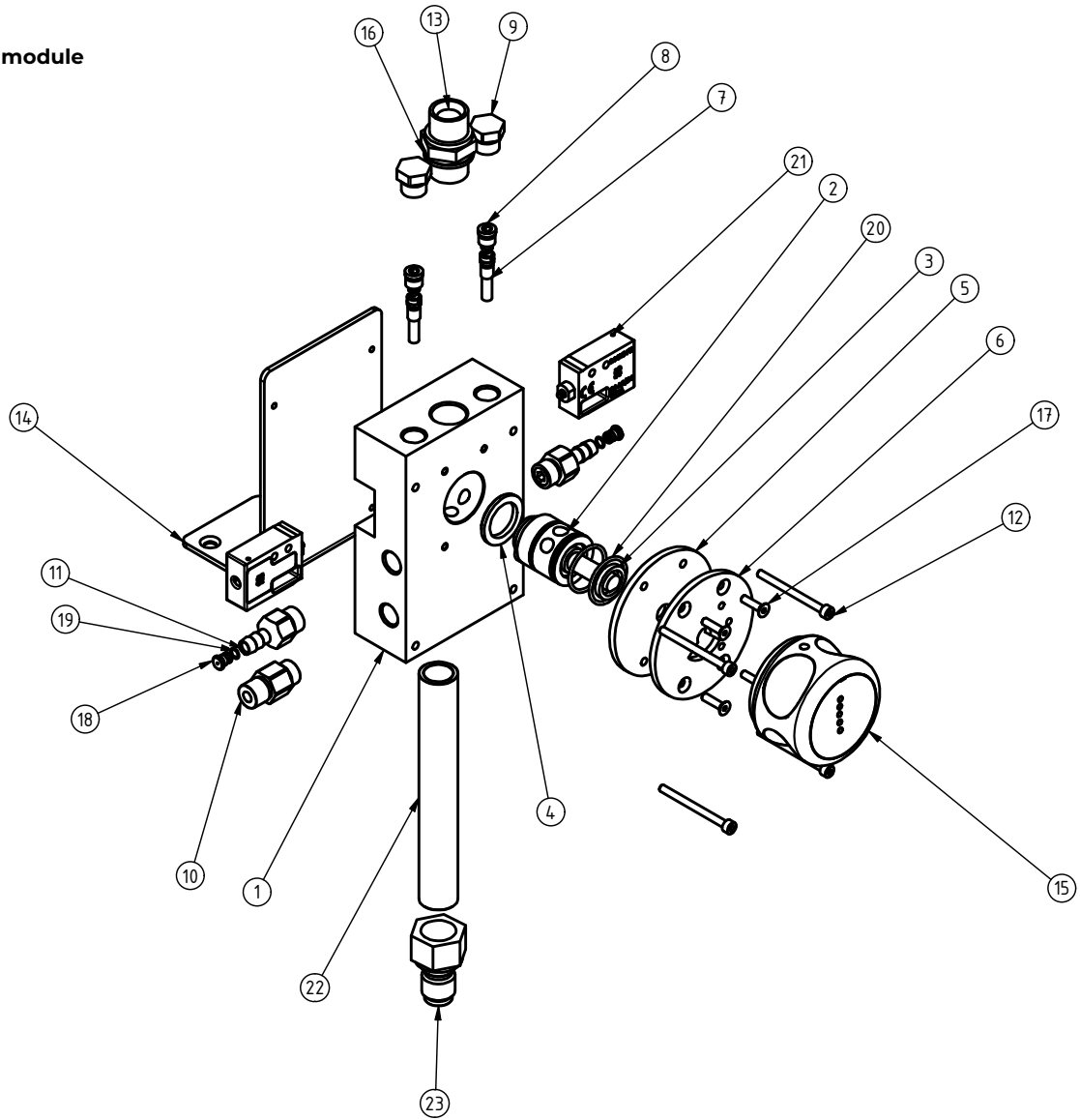


Parts list

Number	Total	Article number	Description
1	1	379038	SWU Wall bracket 2024
2	1	351966	Pressure tr MBS3000 0-60bar 4-20mA 1/4"
3	1	322425	SWU bottom
4	1	575318	SWU back plate
5	1	389756	SWU Cover-over hood 20bar
6	1	492623	Pressure vessel 0.7 ltr -1/2" 8 bar
7	1	373746	Signal lamp M22 red with cable
8	2	373739	Signal Push button RMQ Compact green
9	1		DSW-FD-1-R Assembly
10	1	357685	Main switch 32 A IP66
11	1	357722	Pressure regulator 561_R14 8bar
12	1	357739	Pressure gauge 40mm 1/8" 0-10 bar
13	1	308373	Back flow preventer 6 mm
14	1	373975	Thread adapter R6 diam.6 - 1/4"
15	1	144790	Stainless steel T-piece 1/2"
16	1	100347	SWU frame
17	1	373777	Cabinet 254x180x110
18	1	378130	Straight coupling 8 mm
19	2	146749	Nippel HD RVS 1/2" bui-bui BSPP
20	2	370257	PUN-H-6x1 tube blue/ m
21	4	119818	Hex Head Bolt M12 x 45
22	4	120180	Nut M12
23	12	338473	countersunk screw M5x25
24	1	373760	Grundfos CRIE1-9 JN-CA-T-E-HQQE 3x380-500 60HZ
25	1	147050	Adapting nipple HD stainless steel 1" x 3/4" male - male BSPP
26	2	378758	Multi-seal sealing ring 1" stainless steel
27	1	133244	Check valve stainless steel 304 3/4" Viton
28	1	146756	Nipple high pressure stainless steel 3/4" outside-outside BSPP
29	1	145893	Nipple High pressure 3/4" male-male BSPT
30	1	376884	Inox Flexible 650mm stainless steel 316 3/4" 2x 3/4" bin 90° concentric
31	4	579163	Cage nut type SMF Stainless steel
32	8	195309	low-profile dome head bolt M6x12
33	1	147043	Reducing nipple high pressure stainless steel 1" x 1/2" outside-outside BSPP
34	1	307468	Knee high pressure 1/2" outside - 1/2"
35	1	359948	Boonesjet linen High pressure - hose 1m 200bar ((1/2" pipe-1/2" swivel)
36	1	378949	Bracket electrical cabinet right
37	1	378925	Bracket electrical cabinet left
39	1	373807	Compressor
40	8	119917	washer M8
41	4	120012	spring washer M8
42	4	120166	Hex Nut SS M8
43	4	120012	Spring washer M8
44	4	119573	Stainless steel hexagon bolt M8x12 DIN933
45	4	119245	Allen screw stainless steel M4x12 DIN 912
46	2	119887	washer stainless steel M4
47	4	120210	Lock nut/washer stainless steel A26K M4
48	2	376136	Washer stainless steel M27
49	1	144615	Elbow 3/4"
50	1	145056	Plug SS hex head 1/2" M
51	1	146725	Nippel HD RVS 1/4" bui-bui BSPP
52	1	146992	Adapting nipple HD stainless steel 1/2" x 1/4" male-male BSPP
53	1	370950	Multiseal 1/2"
54	1	370943	Multi-seal afdichtring 1/4" RVS
55	1	736348	Hose 1/4" 20 bar 100°C 0.65m (1/4" stainless steel union - 1/4" stainless steel right angle union)
56	1	928318	Signal lamp RMQ Compact green surface



Switch module



Number	Total	Article number	Description
1	1	378541	DSW_Housing
2	1	378468	Selector DSW
3	1	378482	Brass ring top DSW
4	1	378475	Brass ring bottom DSW
5	1	378420	Plate selection button DSW
6	1	378437	Plate selection button positions DSW
7	2	378604	Counter nozzle 2.8
8	2	378567	Injectornozzle 2.1
9	2	378512	Stop M14
10	1	378536	Compressed air supply incl. check valve M14x1
11	2	378529	Chemical supply incl. non-return valve M14x1
12	4	358064	hexagon socket bolt M4x50
13	1	145971	Nipple HD 1/2" M-i BSPP
14	1	240139	SWU beugel DSW 2024
15	1	373920	Switch button Boons
16	1	370950	Multi-seal 1/2" SS
17	4	378635	Countersunk hexagon bolt M4 x14
18	2	870515	Dosing nozzle 1.0 SS
19	2	375047	O-ring 4x1 EDPM 70 Shore
20	2	238582	O-ring NBR ø 26.7 x 1.78
21	2	218917	Switch housing 24V ACDC 15mA
22	1	378505	Outlet tube 150 mm
23	1	307000	Adapter RVS 1/2" bin SU

Logistics information

SWU-20/1-GR

HS code	84243010
Pallet	ISPM
Package	Cardboard
Total weight	117 kg / 258 lbs
Country of origin	Belgium
Dimension A	800 mm
Dimension B	1200 mm
Dimension C	900 mm

SWU-K-20/1-GR

HS code	84243010
Pallet	ISPM
Package	Cardboard
Total weight	132 kg / 291 lbs
Country of origin	Belgium
Dimension A	800 mm
Dimension B	1200 mm
Dimension C	900 mm



0 1 2 3 4 5 6 7 8 9

Type: **SWU-K-20/1-GR**
 Serial number: **185215**
 Client: _____

BOONS FIS nv
 Nijverheidstraat 1
 B-9810 Nazareth
 Tel BE: +32 (0)9 387 79 79
 Tel NL: +31 (0)418 65 10 70
 Fax: +32 (0)9 387 79 70
 E-mail: sales@boonsfis.com
 Internet: www.boonsfis.com



Customer details:

Client: _____
 Power supply: 3 x 400 V + PE, 16 A Max. Fuse
 Power: 3.5 kW
 Control voltage: 24V AC
 Year of construction: 2025
 Software: _____
 Top page number: 3
 Number of pages: 17
 Last change: 6/03/2025
 Last edited by: _____
 Plot date: 6/03/2025

Installation location: _____
 Details: _____
 Project creation date: 20/01/2025
 Project made by: Mert Orak
 File name: O:\SEEE Electrical drawing\Projects\Klanten\ Boons Standaard\SWU(K)-2025\SWU-ENISWU-K-20_1-GR-EN.sep

Plot page: 1 Of: 5 Plot date: 6/03/2025 Plot time: 14:22:07 Date of revision: 6/03/2025

 BOONS food & industrial supplies	SWU-K-20/1-GR 185215	Cover page	Project name: SWU-K-20_1-GR-EN Date: 7/02/2025	Drawing No.: SWU-K-20_1-GR-EN Function: _____ Location: _____	Seq.No.: 1 Desg.: Robby Smet Page: 1 Of: 2
--	-------------------------	------------	--	--	--

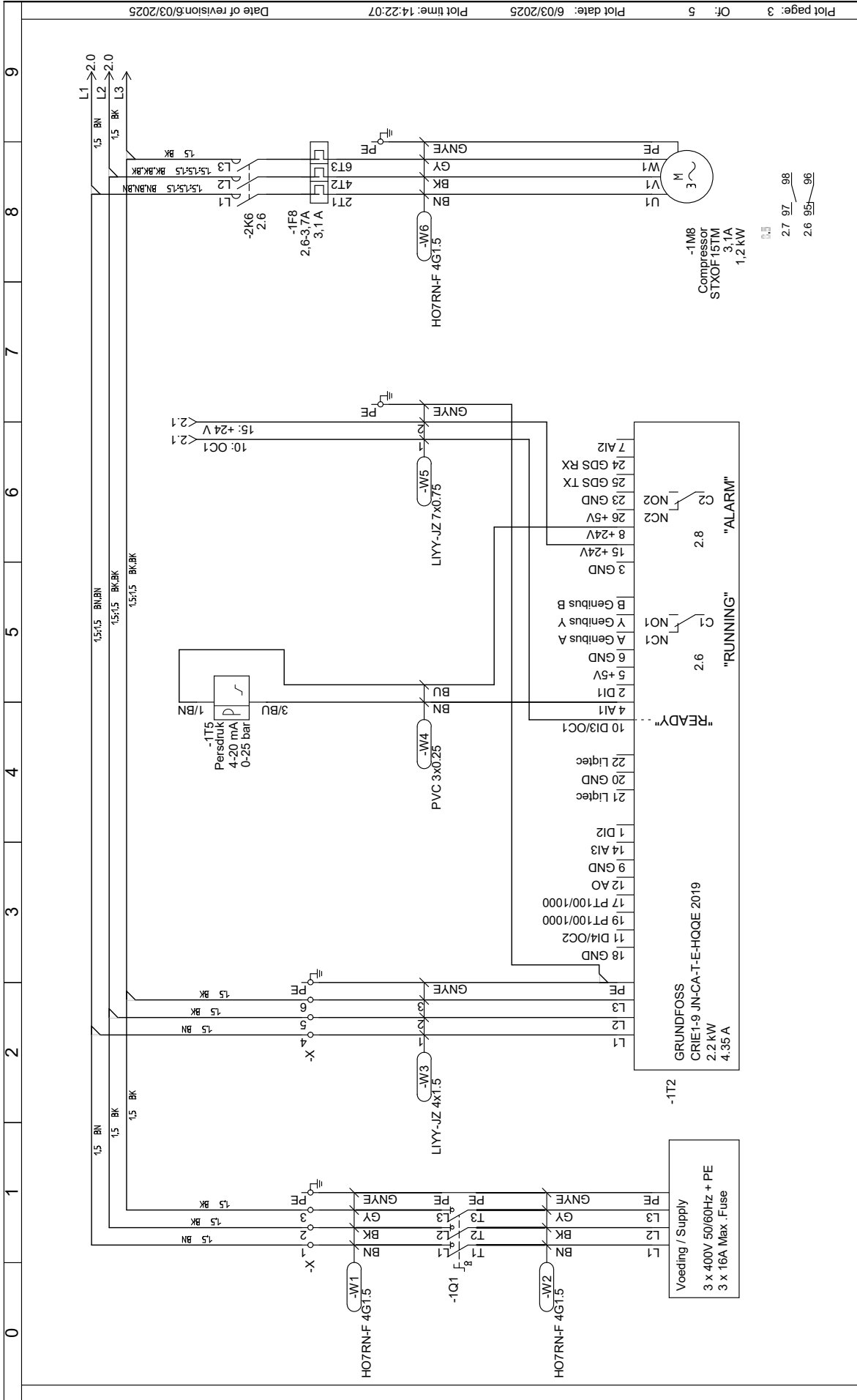


0	Y (Reserved for future standardisation) Z (Reserved for future standardisation)
1	X Connecting objects. For example: contact pin, connector, clamp, terminal strips, measuring point, hub
2	T Conversion of energy with maintenance of energy type Conversion of a known signal while maintaining the information transport Conversion of size or shape of material For example: amplifier, antenna, demodulator, frequency converter, modulator, measurement converter, rectifier, power transformer, signal transformer, softstarter, isolation amplifier, voltage converter, current converter.
3	S Converting a manual action into a signal for further processing. For example: control devices, control switch, rotary switch, push button, mouse, switch, keyboard.
4	R Limit or stabilise current movement or movement of energy, information or materia For example: diode, diac, setting resistor, potentiometer, coil, tunnel diode, varicap, resistor, zener diode, voltage stabiliser.
5	Q Controlled switching of a varying current of energy, signals or materia (For signals in control circuits, see class K and S For example: load disconnecter, motor starter, motor protection switches, disconnecter, disconnect switches, fuse disconnecter, star-delta switches, thyristor, triac, circuit breaker, circuit breaker, power contactor, power transistor
6	P Presentation of information For example: ammeter, bell, control lamp, display, clock, LED, speaker, printer, signal lamp, siren, voltmeter, wattmeter, kWh meter, buzzer, display (no touchscreen!).
7	O May not be applied
8	N (Reserved for future standardisation)
9	M Generate mechanical energy (rotational or linear) Mechanical movement for drive purposes. For example: motor, linear motor, actuator.
0	L (Reserved for future standardisation)
1	K Processing (receiving, handling and offering) of signals or information (excluding objects for security purposes, see class F). For example: analogue and digital ICs, CPU, EMC filters, relays, delay line, delay line, electron tube, controller, microprocessor, PLC, contactor, filter, time relay, auxiliary relay, transistor, electronically operated valves, electron tube (diode/triode/tetrode/pentode/hexode/heptode/octode)
2	J (Reserved for future standardisation)
3	I May not be used
4	H Produces a new type of material or product For example: Shredder, mixer, centrifuge, distillation column, fermentation column, magnetic separator, reactor
5	G Initiation of an energy wave or material For example: dry cell battery, generator, power generator, signal generator, alternator, oscillator, solar cell, fuel cell, power supply, UPS Generates signals that act as an information carrier or reference source
6	F Direct protection (autonomous) of a flow of energy, signals, personnel, or equipment from unwanted conditions or danger Includes systems and equipment for protection purposes. For example: circuit breaker, bimetallic circuit breaker, radio interference suppressors, fuse, spark arresters, Faraday's cage, Thermal protection, Earth leakage switch
7	E Offering radiation or thermal energy. (Cooling, heating, lighting, irradiating) For example: boiler, fluorescent lamp, heater, lamp, laser, heating resistor.
8	D (Reserved for future standardisation)
9	C Storage of energy, material or information. For example: buffer battery, capacitor, data logger, hard disk, memory, RAM, tape recorder, video recorder, register.
0	B Convert an input value (physical quantity, condition or event) to a signal, suitable for further processing. For example: fire detector, gas detector, measurement element, measurement relay, microphone, photocell, photodiode, phototransistor, limit switch, proximity switch, proximity sensor, measurement resistor, sensor, current transformer, voltage transformer, smoke sensor, tachogenerator, temperature sensor thermal protection relay, video camera.
1	A Two or more purposes and/or tasks Hint: This class should only be used for objects to which no primary task can be assigned. For example: a touchscreen. (because input can also take place, a normal screen only presents information, therefore P)
Extract from IEC 81346-2 - Table 1: CODE Purpose or task of object	

Colour-Coded Wiring	
Neutral	blue
0V AC	dark blue
12V AC	red
24V AC	red
48V AC	red
230V AC / 11	brown
400V AC	black
0V DC	white
12V DC	orange
24V DC	orange
48V DC	orange
P.O.T.V.B.U.I.	transparent
0-20 mA	purple
0-10 V	grey
Aarde	yellow/green

Standards marks Colour coding	SWU-K-201-GR 185215	Seq. No.: 2 Desig.: Robby Smet Page: 2 Of: 2
Project Name: SWU-K-20_1-GR-EN Date: 11/04/2017		Drawing No.: Function: Location:

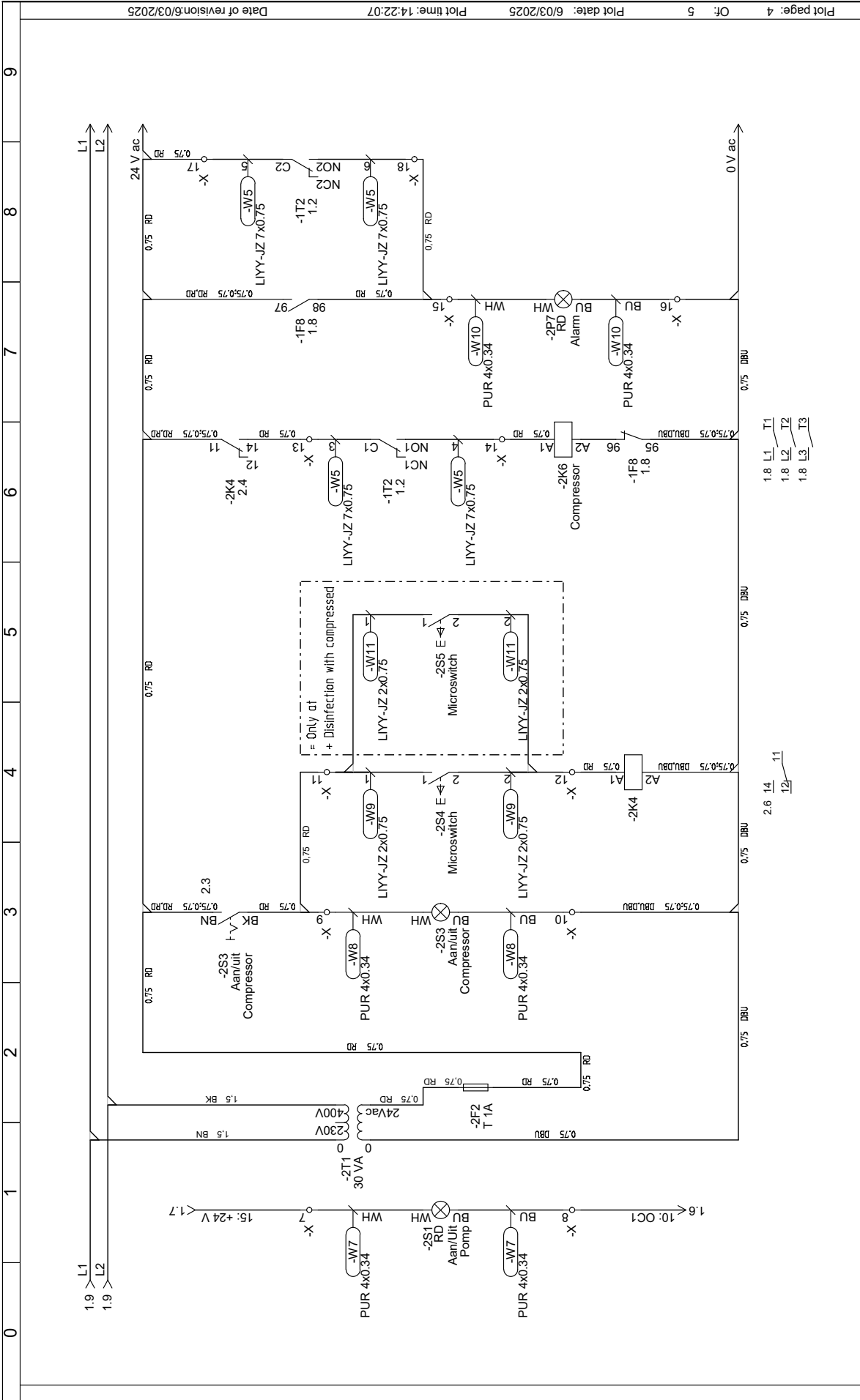




<p>BOONS food & industrial supplies</p>		<p>SWU-K-201-GR 185215</p>		<p>Power</p>		<p>Project name: SWU-K-201-GR-EN</p>		<p>Drawing No.: 4</p>		<p>Seq.No.: 4</p>		<p>Desg.: Robby Smet</p>	
						<p>Date: 7/02/2025</p>		<p>Function:</p>		<p>Location:</p>		<p>Page: Of: 1 3</p>	

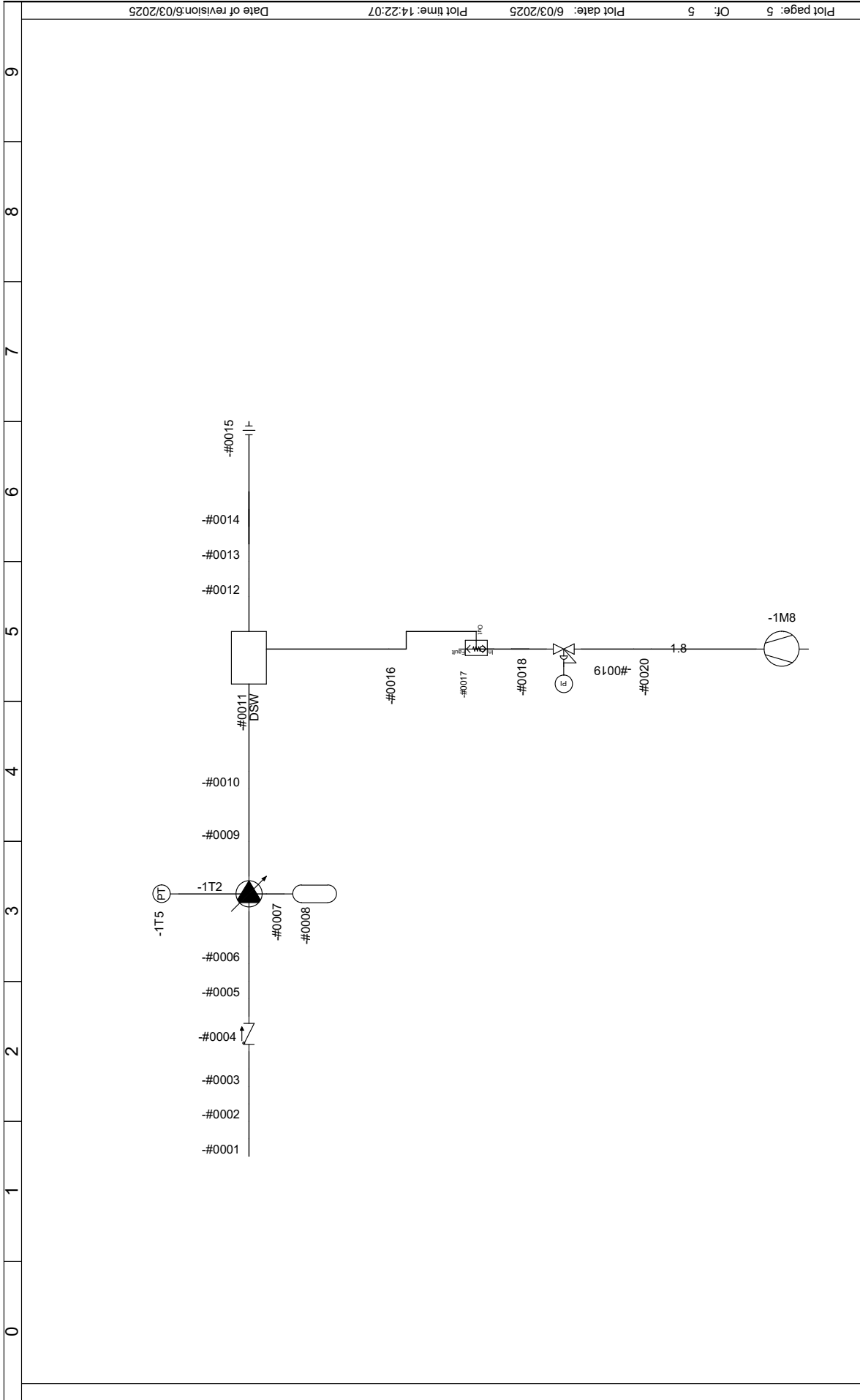
0 1 2 3 4 5 6 7 8 9

Date of revision: 6/03/2025 Plot time: 14:22:07 Plot date: 6/03/2025 Of: 5 Plot page: 3



 BOONS food & industrial supplies	SWU-K-201-GR 185215	Control circuit		Project Name: SWU-K-201-GR-EN	Drawing No.:	Seq.No.:	Desg.:
				Date: 24/06/2019	Function:	Location:	5
							Page: Of:
							2 3

Plot page: 4 Of: 5 Plot date: 6/03/2025 Plot time: 14:22:07 Date of revision: 6/03/2025



Date of revision: 6/03/2025

Plot time: 14:22:07

Plot date: 6/03/2025

Of: 5

Plot page: 5

Seq. No.: 6

Drawing No.:

Project Name: SWU-K-20_1-GR-EN

Date: 23/12/2019

P&ID

SWU-K-201-GR
185215

BOONS
food & industrial supplies



Location:

Function:

Seq. No.: 6

Date: 23/12/2019

P&ID

SWU-K-201-GR
185215

BOONS
food & industrial supplies



Page: 3

Of: 3



BOONS FIS nv / bv

sales@boonsfis.com
www.boonsfis.com

T +32 (0)9 387 79 79 (BE)

T +31 (0)418 65 10 70 (NL)

follow us



BOONS FIS nv / bv
NIJVERHEIDSTRAAT 1 | 9810 NAZARETH (BE)

BOONS FIS nv/bv reserves the right to make changes any time without prior notice.
All rights reserved. Nothing from this publication may be copied, saved in an automated data file or made public in any form or way whatsoever without prior permission from the publisher.