

PROSINK is used dilute concentrated products, using a “Venturi tube” system. The advantage of these systems is the water/chemical mixing that creates a product which is ready to use.

Prosink is an automatic dilution system that requires no current or power supplies of any kind, the suction is created from the force of the water supply. This system finds its greatest application in the dilution of concentrated products suitable for cleaning and disinfecting surfaces. The most common recommended applications and the Promax models are as follows:

- **Refilling of a bottles: ProSink 4l/min**
- **Refilling sink for pot & pan application: ProSink 16l/min**

The products used in these applications can be:

Odour removers, Glass and multi-surface cleaners , Degreasers, Concentrated cleaners, Deep-cleaning foaming products, Sanitizers, Ammonia, Deodoriser cleaners, Floor and multi-surface cleaners, Multi-surface degreasers...etc

INASTALLATION CHARACTERISTICS

- *Optimum water supply pressure is 40 PSI (2.75 bar). Max. 100 PS (6.9 bar); Min. 20 PSI (1.4 bar)*
- *Max. temperature 140° F (60 °C)*

Operating Temperature: 5-50°C

Storage Temperature: -20÷60°C

DISPENSER KEY CODE

1-3	NAME					
PSK	Prosink					
4	NUMBER OF PRODUCTS					
1	1 Product					
2	2 Products					
5	TYPE OF BACKFLOW PREVENTING					
F	Flex Gap					
A	Air Gap					
N	No Gap					
6-7	FLOWRATE					
04	4 Liter (1GPM)					
16	16 Liter (4GPM)					
8	MARKET					
U	USA					
9	Revision					
1	2nd					
N	New venturi					
10-12	CUSTOMIZATION					
000	Standard					

PSK	1	F	16	U	N	000
-----	---	---	----	---	---	-----

FLEX GAP VENTURI CHARACTERISTICS

The ProSink-R provides the following flow rates (the values shown in table 1 only apply when mixing one product at a time):

Dynamic pressure upstream of the PROSINK-R Flex-Gap			
1 GPM	14.5 PSI (1 bar)	29 PSI (2 bar)	45.5 PSI (3 bar)
Flow Rate in GPM	0.7	1.3	1.7
Flow Rate in l/min	2.6	5.0	6.3
4 GPM	14.5 PSI (1 bar)	29 PSI (2 bar)	45.5 PSI (3 bar)
Flow Rate in GPM	1.6	2.7	3.4
Flow Rate in l/min	6.0	10.4	13.0

WARNING: OPENING BOTH DOSING TAPS AT THE SAME TIME LEADS TO A SLIGHT REDUCTION IN THE FLOW RATE AND RESULTS IN CHANGES IN DILUTION RATE.

The degree of dilution required can be obtained by using one of the 15 calibrated metering tips supplied. The nozzles are colors coded as below .

		Flex-Gap									
<p>The dilution ratio refer to the dynamic pressure of 40 PSI (2,76bar) with water thin products.</p>		1 GPM Model 4 lt/min				4 GPM Model 16 lt/min					
		Oz/Gal	gr/lt	%	Ratio	Oz/Gal	gr/lt	%	Ratio		
STANDARD METERING TIP	Tip color	Diameter inch									
	No tip	\									
	Grey	0,128		41,3	339,0	33,9	2,9 :1	22,1	181,2	18,1	5,5 :1
	Black	0,1		40,2	330,3	33,0	3,0 :1	21,8	178,8	17,9	5,6 :1
	Beige	0,07		38,9	319,6	32,0	3,1 :1	20,4	168,0	16,8	6,0 :1
	Red	0,052		29,4	241,9	24,2	4,1 :1	15,1	124,0	12,4	8,1 :1
	White	0,043		18,7	153,4	15,3	6,5 :1	9,4	77,4	7,7	13 :1
	Blue	0,04		12,6	103,8	10,4	9,6 :1	6,1	50,1	5,0	20 :1
	Tan	0,035		10,7	87,8	8,8	11 :1	5,2	42,7	4,3	23 :1
	Green	0,028		8,4	68,8	6,9	15 :1	4,3	35,3	3,5	28 :1
	Orange	0,025		5,2	42,8	4,3	23 :1	2,9	23,8	2,4	42 :1
	Brown	0,023		3,8	31,6	3,2	32 :1	2,0	16,4	1,6	61 :1
	Yellow	0,02		3,2	26,3	2,6	38 :1	1,7	14,2	1,4	70 :1
	Aqua	0,018		3,0	24,4	2,4	41 :1	1,5	12,1	1,2	83 :1
	Purple	0,014		2,9	24,2	2,4	41 :1	1,1	9,2	0,9	109 :1
Pink	0,01		1,0	8,3	0,8	120 :1	0,9	7,0	0,7	143 :1	
Clear	\		0,8	6,3	0,6	159 :1	0,2	1,8	0,2	556 :1	
		No hole				No hole					
ULTRALEAN TIP	Lime	0,009		0,45	3,70	0,37	270 :1	0,21	1,70	0,12	588 :1
	Burgundy	0,008		0,41	3,40	0,34	294 :1	0,18	1,50	0,11	667 :1
	Pumpkin	0,007		0,35	2,90	0,29	345 :1	0,17	1,40	0,15	714 :1
	Copper	0,006		0,12	1,00	0,10	1000 :1	0,06	0,50	0,07	2000 :1

Table 2 – The dilution values given in this table are measured at free discharge water supply condition flow rate of 7.92GPM (30 l/m in) and supply static pressure of 40 PSI (2.76 bar), with a suction height of 5 feet (1,5 m).

AIR GAP VENTURI CHARACTERISTICS

The ProSink-R provides the following flow rates (the values shown in table 3 only apply when mixing one product at a time):

Dynamic pressure upstream of the PROSINK-R Air-Gap			
1 GPM	14.5 PSI (1 bar)	29 PSI (2 bar)	45.5 PSI (3 bar)
Flow Rate in GPM	0.7	1.2	1.5
Flow Rate in l/min	2.9	4.6	5.9
4 GPM	14.5 PSI (1 bar)	29 PSI (2 bar)	45.5 PSI (3 bar)
Flow Rate in GPM	2.1	2.9	3.5
Flow Rate in l/min	8.0	11.2	13.4

WARNING: OPENING BOTH DOSING TAPS AT THE SAME TIME LEADS TO A SLIGHT REDUCTION IN THE FLOW RATE AND RESULTS IN CHANGES IN DILUTION RATE.

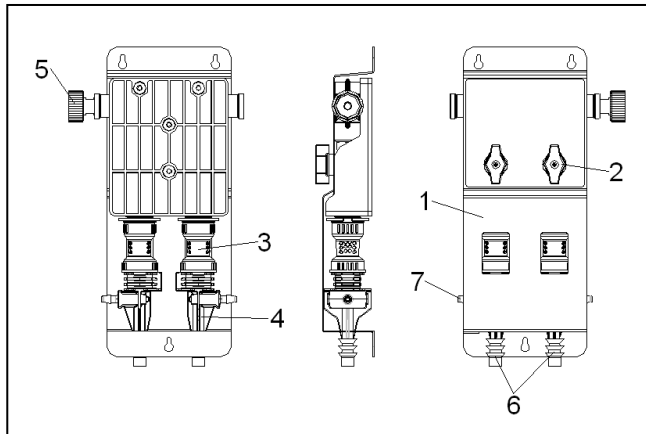
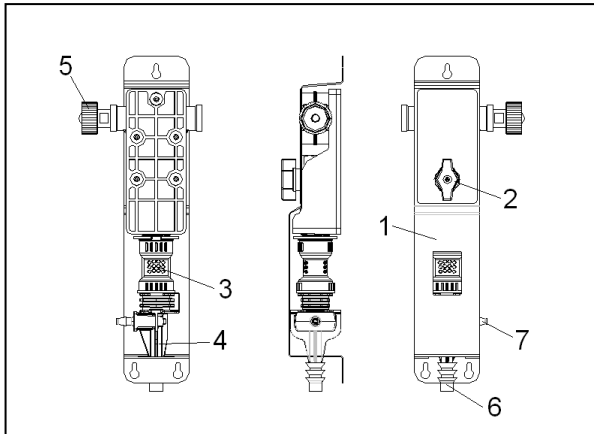
The degree of dilution required can be obtained by using one of the 15 calibrated metering tips supplied. The nozzles are colors coded as below .

		Air-Gap									
		1 GPM Model 4 lt/min		4 GPM Model 16 lt/min							
STANDARD METERING TIP	Tip color	Diameter inch	Oz/Gal	gr/lt	%	Ratio	Oz/Gal	gr/lt	%	Ratio	
		No tip	\	37,2	305,5	30,6	3,27 :1	16,1	132,2	13,2	7,56 :1
		Grey	0,128	36,7	301,7	30,2	3,31 :1	16,0	131,1	13,1	7,63 :1
		Black	0,1	36,6	300,8	30,1	3,32 :1	15,9	130,4	13,0	7,67 :1
		Beige	0,07	30,0	246,1	24,6	4,1 :1	13,2	108,8	10,9	9,2 :1
		Red	0,052	20,8	171,3	17,1	5,8 :1	8,9	73,3	7,3	14 :1
		White	0,043	14,1	115,7	11,6	8,6 :1	6,0	48,9	4,9	20 :1
		Blue	0,04	12,3	101,1	10,1	9,9 :1	5,0	41,0	4,1	24 :1
		Tan	0,035	9,3	76,4	7,6	13 :1	4,1	34,0	3,4	29 :1
		Green	0,028	7,0	57,8	5,8	17 :1	2,6	21,5	2,2	47 :1
		Orange	0,025	4,6	38,0	3,8	26 :1	2,0	16,3	1,6	62 :1
		Brown	0,023	4,2	34,4	3,4	29 :1	1,8	14,8	1,5	68 :1
		Yellow	0,02	3,3	27,1	2,7	37 :1	1,3	11,0	1,1	91 :1
		Aqua	0,018	2,4	19,4	1,9	52 :1	1,1	9,0	0,9	111 :1
		Purple	0,014	1,4	11,7	1,2	85 :1	0,6	5,3	0,5	189 :1
		Pink	0,01	0,7	6,0	0,6	167 :1	0,6	4,8	0,5	208 :1
	Clear	\	No hole				No hole				
ULTRALEAN TIP	Lime	0,009	0,56	4,60	0,06	217 :1	0,21	1,70	0,02	588 :1	
	Burgundy	0,008	0,40	3,30	0,04	303 :1	0,18	1,50	0,02	667 :1	
	Pumpkin	0,007	0,37	3,00	0,04	333 :1	0,16	1,30	0,02	769 :1	
	Copper	0,006	0,18	1,50	0,02	667 :1	0,07	0,60	0,01	1667 :1	

Table 4 – The dilution values given in this table are measured at free discharge water supply condition flow rate of 7.92GPM (30 l/min) and supply static pressure of 40 PSI (2.76 bar), with a suction height of 5 feet (1,5 m).

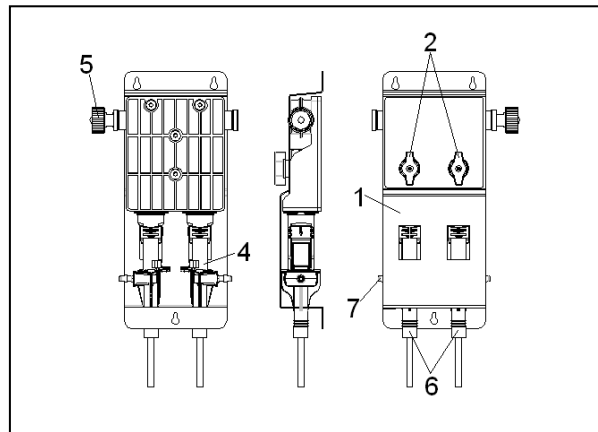
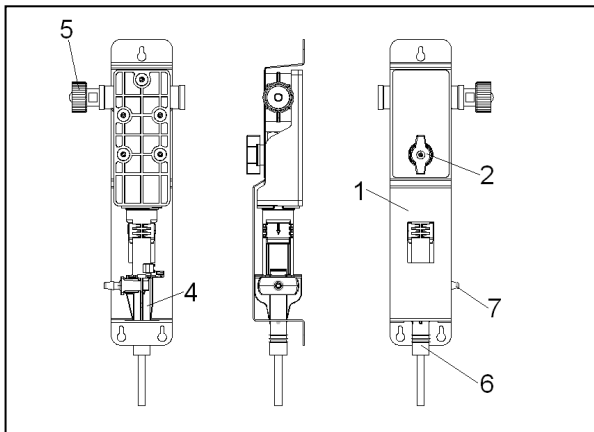
PROSINK-R 1 PRODUCT 1GPM (4L/MIN) / 4GPM (16L/MIN) FGAP (PSK1F04UN000 PSK1F16UN000)

PROSINK-R 2 PRODUCTS 1GPM (4L/MIN) / 4GPM (16L/MIN)FGAP (PSK2F04UN000 PSK2F16UN000)



Prosink-R 1product 1GPM (4l/min) / 4GPM (16L/MIN) AGAP (PSK1A04UN000 PSK1A16UN000)

Prosink-R 2 products 1GPM (4l/min) / 4GPM (16L/MIN) AGAP (PSK2A04UN000 PSK2A16UN000)



1	Satin-finish STAINLESS STEEL guard
2	Activation knob
3	F-Gap backflow preventer
4	Venturi
5	3/4" GHT ring nut
6	Connection for bottle ("S") filling hose -1GPM (4L/MIN) Connection for outlet hose (15,2X22 mm) - 4GPM (16L/MIN)
7	Connection for pick up hose 1/4" ID – 3/8" OD (6x9 mm)